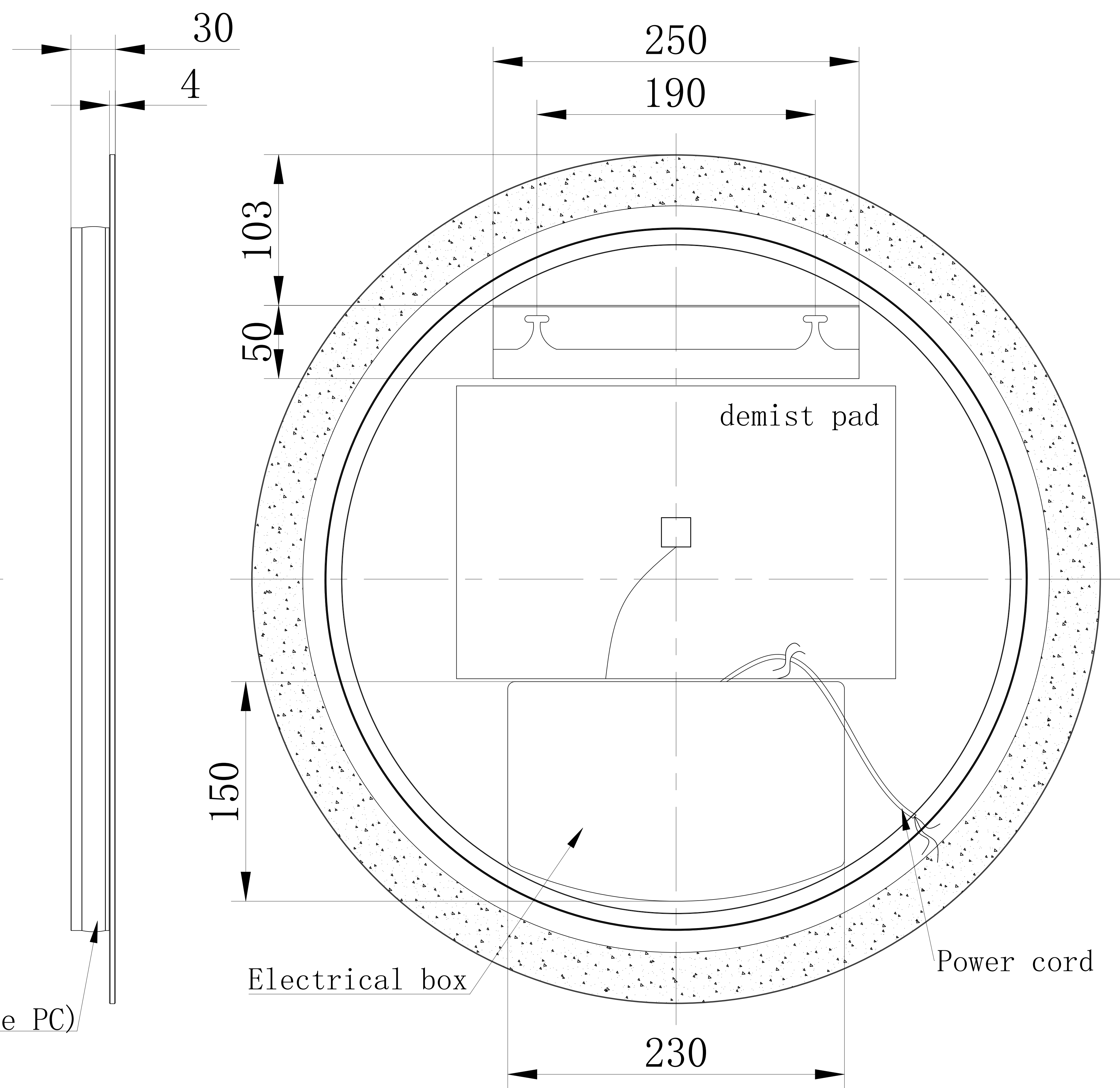


front view (vertical)



back view (vertical)