

## DATASHEET

### Image



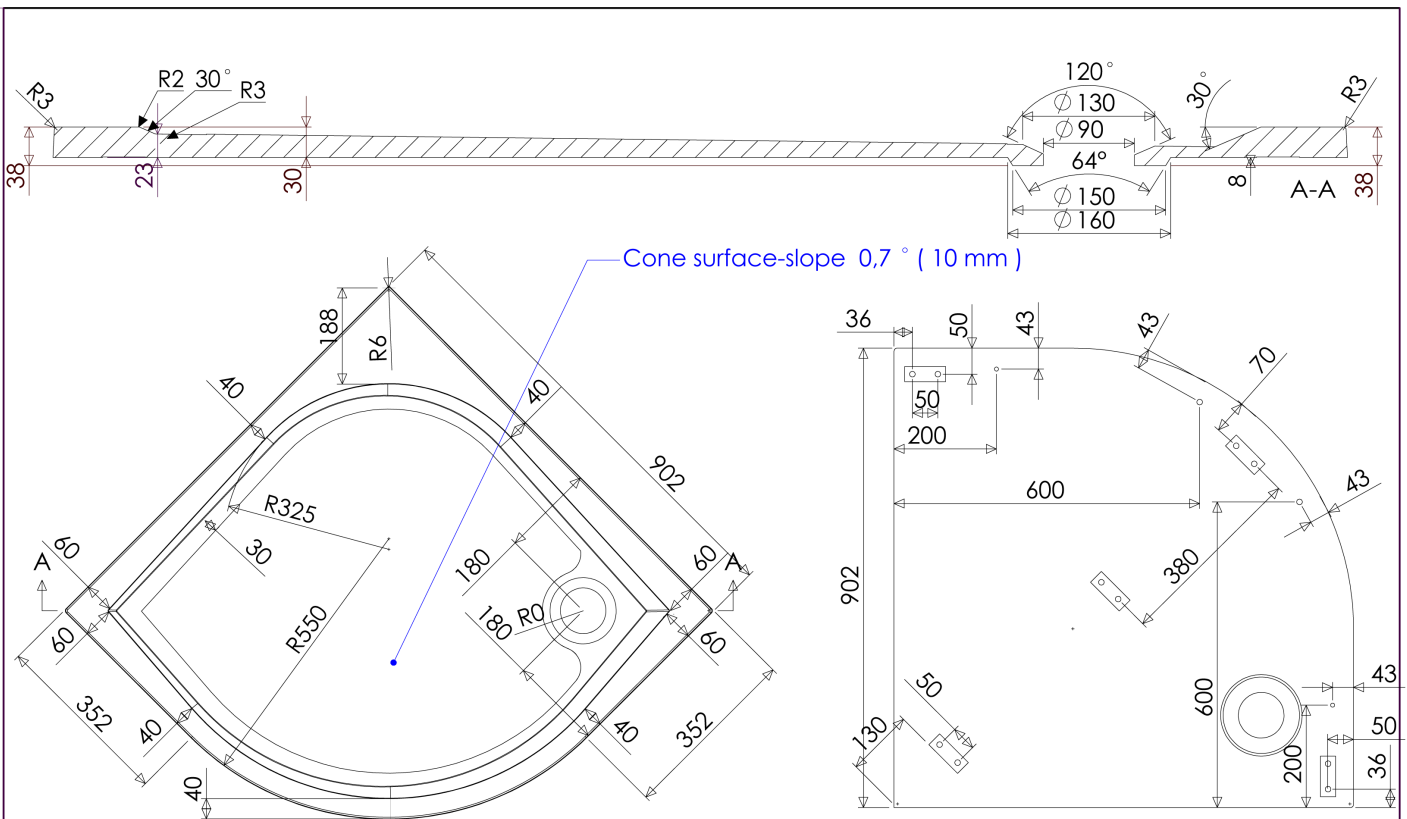
### General Information

Product:	51.057
Description:	Vanguard 25 Tray 900 Quadrant
Website Link:	<a href="#">(Click Here)</a>
Product Type:	Quadrant Shower Tray
Brand:	Eastbrook Company
Colour:	White
Material:	Cast Marble
Height (mm):	38mm
Width (mm):	900mm
Length (mm):	900mm
Net Weight (kg):	31.6kg
Product Range:	Vanguard

### Product Specifications

Warranty:	2 Year(s)
Waste Included:	No
Tray Plan:	B

## Drawing



Tolerance length	+3/-0 mm
Tolerance length granite	+1,5/-1,5 mm
Tolerance plane bending	+3/-3 mm



Eastbrook Road, Gloucester GL4 3DB  
 Technical Helpline: 01452 317890  
 email: technical@eastbrookco.com

900Radie

Enghier

Bisling

1:17