

## DATASHEET

### Image



### General Information

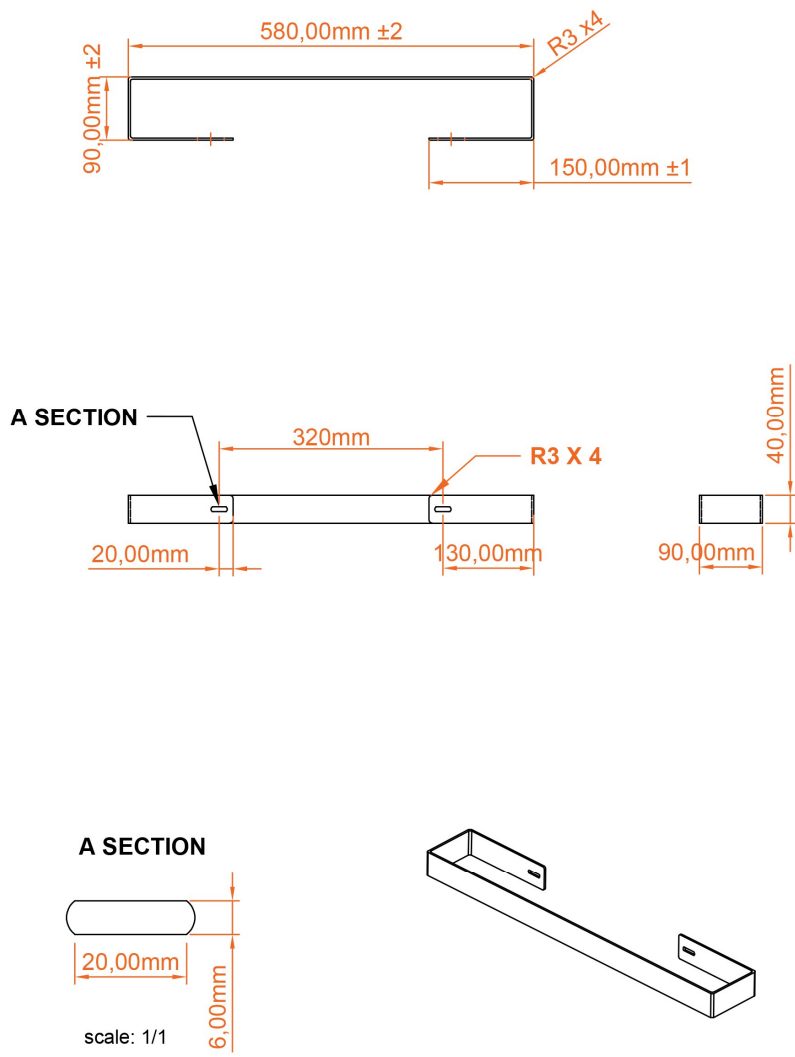
Product:	89.1538
Description:	Deddington Vertical 550mm Towel Hanger
Website Link:	<a href="#">(Click Here)</a>
Product Type:	Towel Hanger
Brand:	Eastbrook Company
Colour:	Matt Black
Material:	Mild Steel
Width (mm):	550mm
Net Weight (kg):	0.922kg
Product Range:	Deddington

### Product Specifications

Warranty:	1 Year(s)
-----------	-----------

## Drawing

### Deddington 550mm Towel Hanger Technical Drawing



**Eastbrook **  
Eastbrook Road, Gloucester GL4 3DB  
Technical Helpline : 01452 317890  
Mon - Fri / 8am - 5pm  
Email : [technical@eastbrookco.com](mailto:technical@eastbrookco.com)