

## DATASHEET

### Image



### General Information

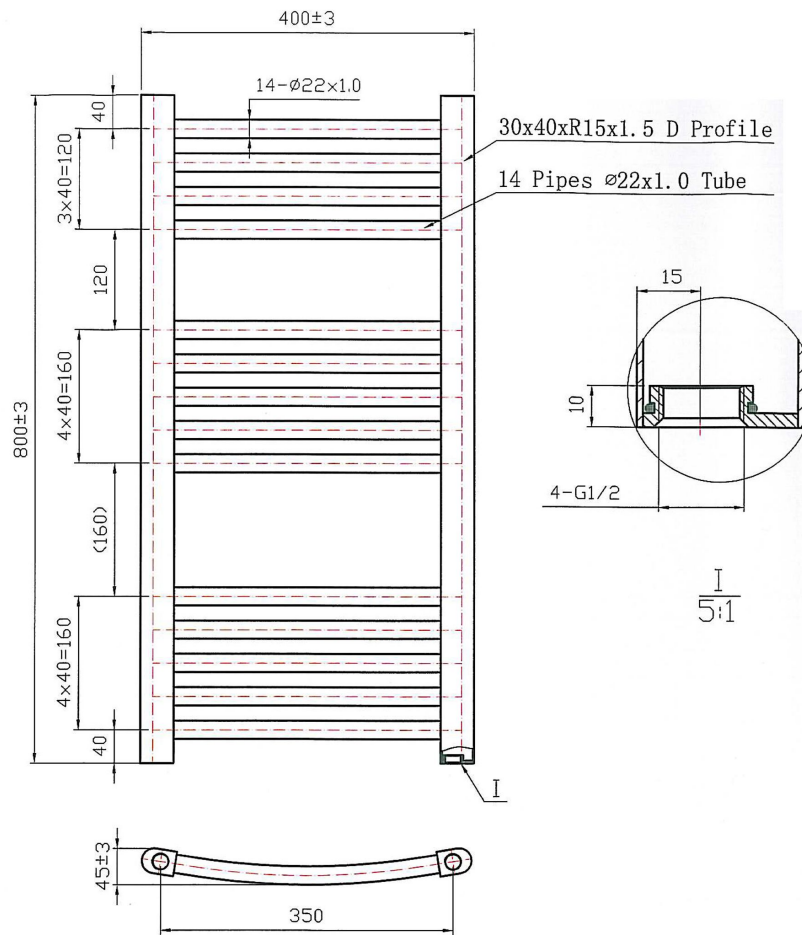
Product:	41.0032
Description:	Wendover Curved Multirail 800 x 400
Website Link:	<a href="#">(Click Here)</a>
Product Type:	Towel Rail
Brand:	Eastbrook Company
Colour:	Gloss White
Material:	Mild Steel
Height (mm):	800mm
Width (mm):	400mm
Net Weight (kg):	5.64kg
Product Range:	Wendover

### Product Specifications

Warranty:	5 Year(s)
Supplied with fixings:	Yes
Orientation:	Portrait
BTU $\Delta T50^{\circ}\text{C}$ :	888
BTU $\Delta T60^{\circ}\text{C}$ :	1136
Watts $\Delta T50^{\circ}\text{C}$ :	261
Watts $\Delta T60^{\circ}\text{C}$ :	333

## Drawing

### Wendover Curved 800 x 400mm. Technical Drawing



800\*400 14 pipes Curved

**Eastbrook**   
Eastbrook Road, Gloucester GL4 3DB  
Technical Helpline : 01452 317890  
Mon - Fri / 8am - 5pm  
Email : [technical@eastbrookco.com](mailto:technical@eastbrookco.com)