

16

15

14

13

12

11

10

9

8

7

6

5

4

3

2

1

M

L

K

J

H

G

F

E

D

C

B

A

M

L

K

J

H

G

F

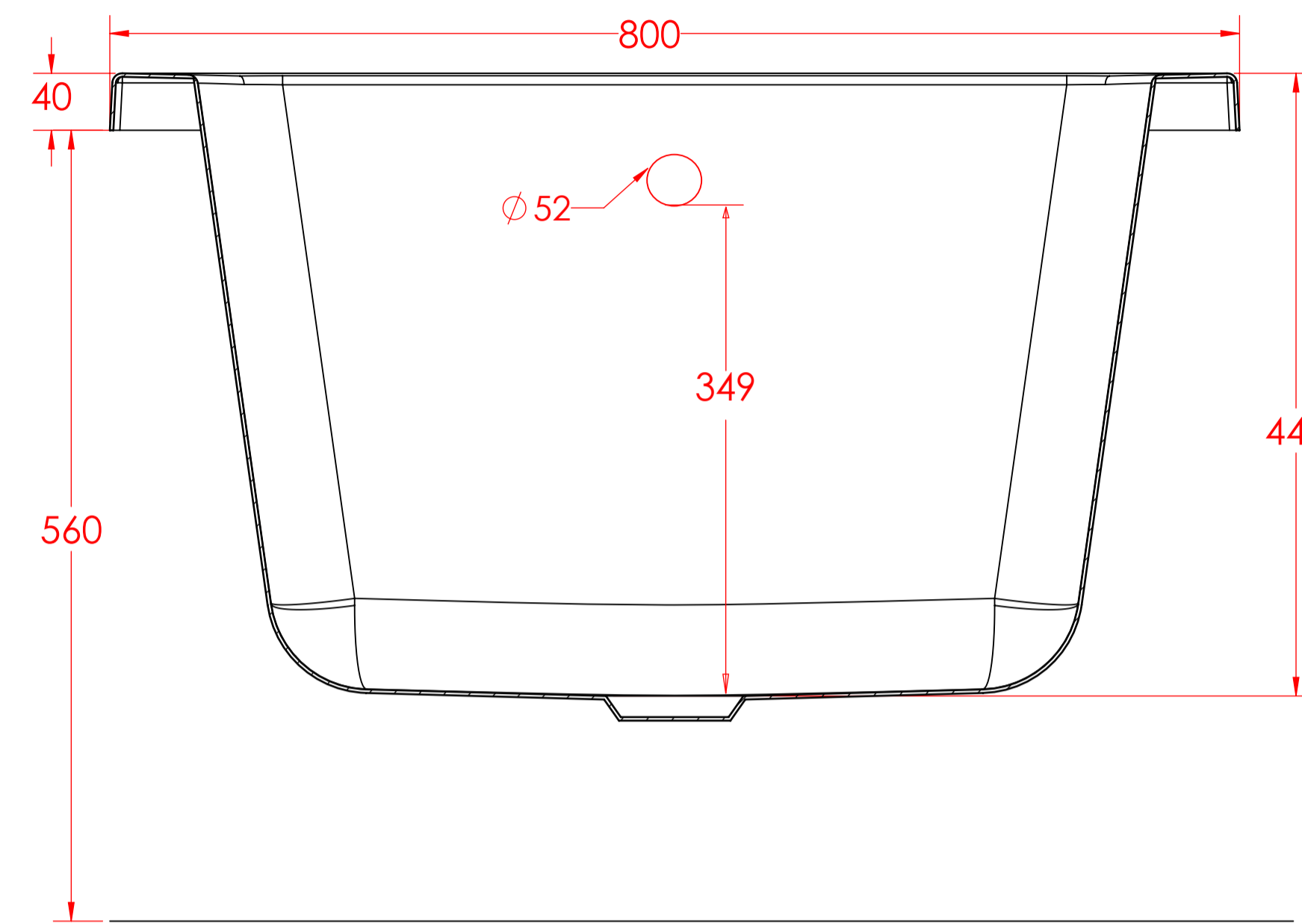
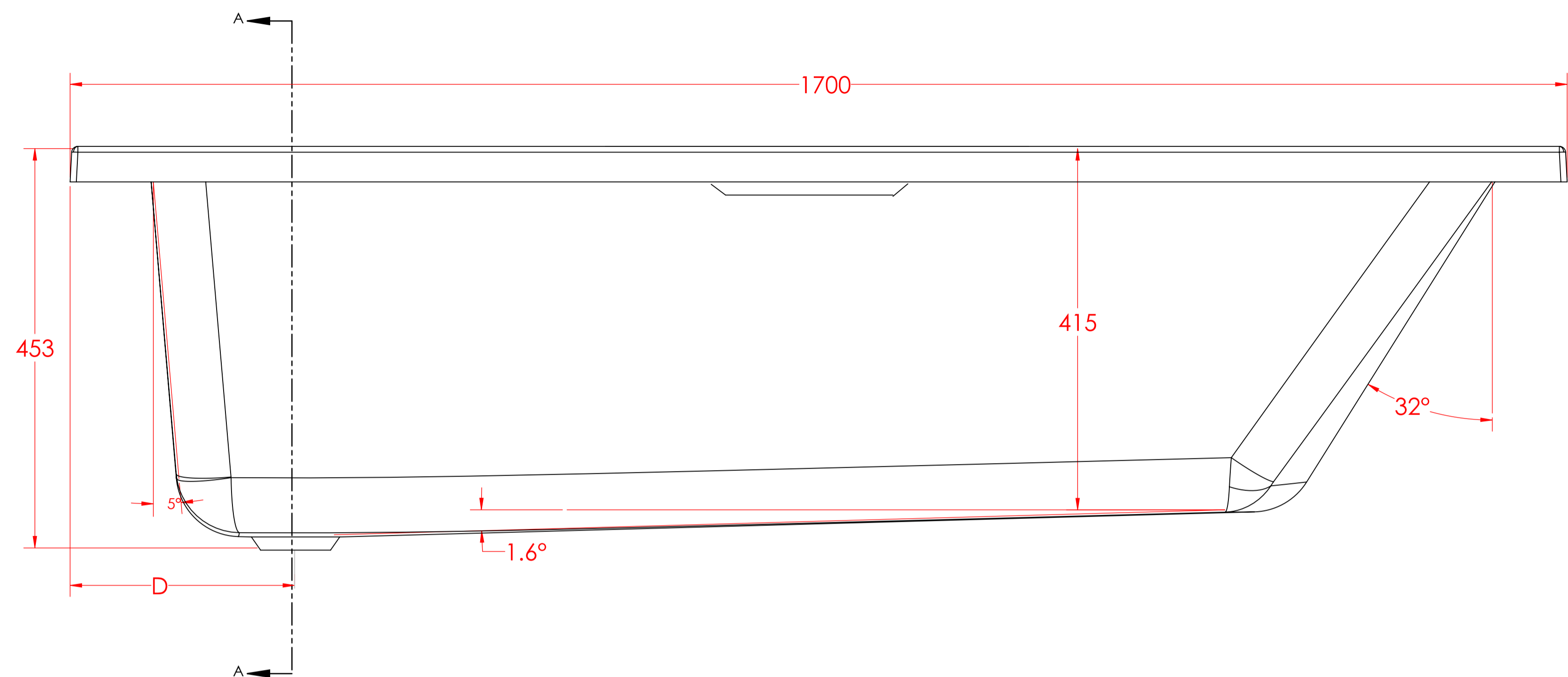
E

D

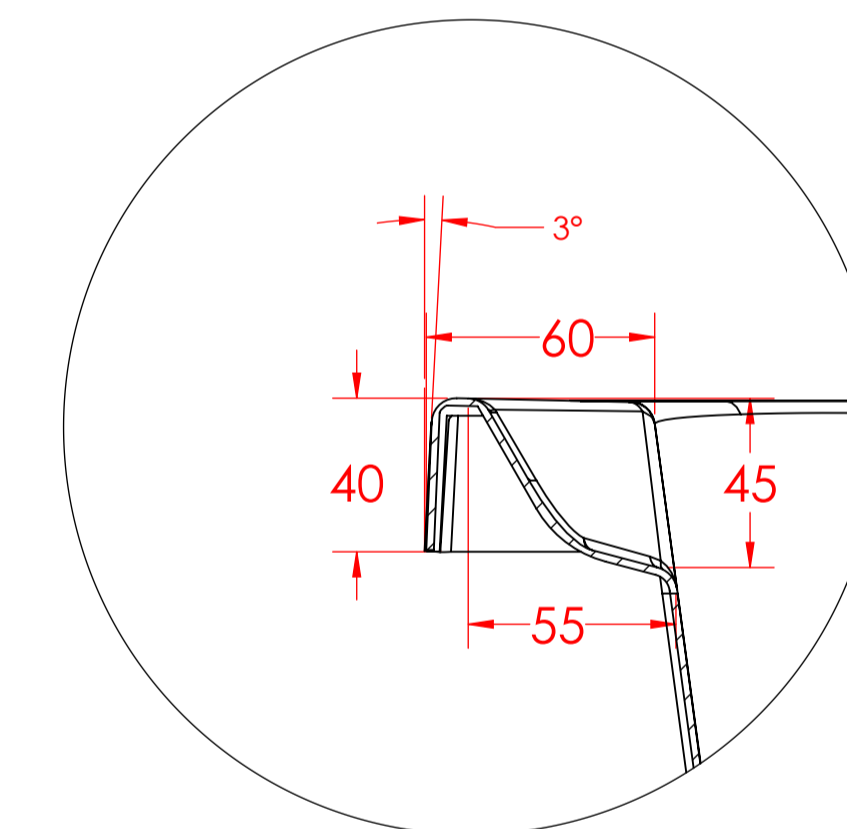
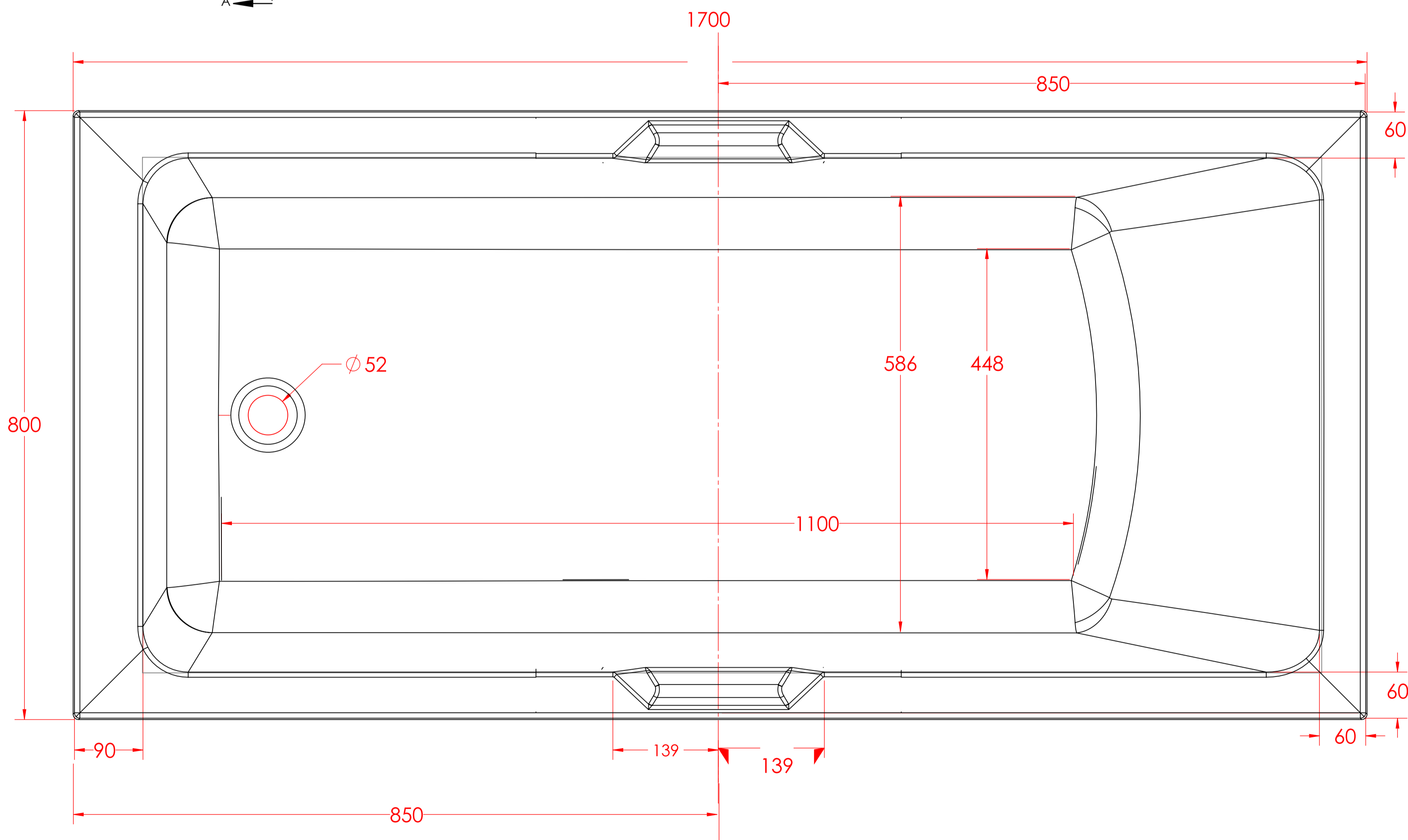
C

B

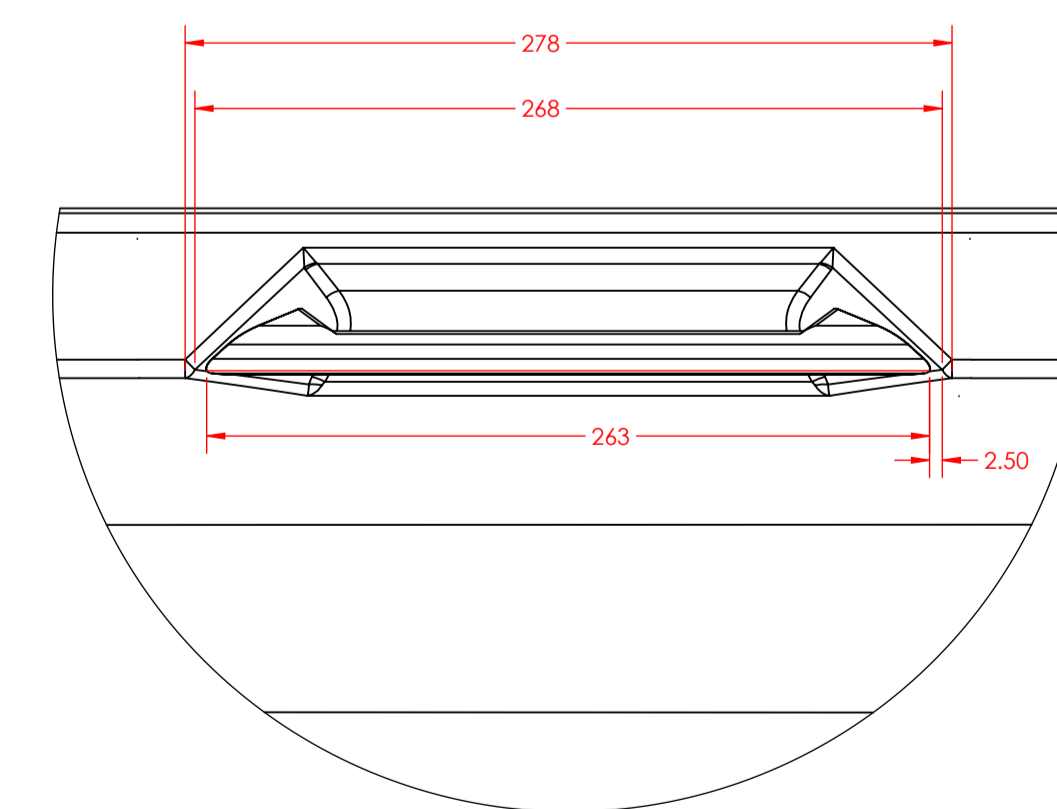
A



SECTION A-A  
SCALE 1 : 4



DETAIL B  
SCALE 1 : 2



PORTLAND SE TWIN GRIP 1700x800x440

16

15

14

13

12

11

10

9

8

7

6

5

4

3

2

1