

## DATASHEET

### Image



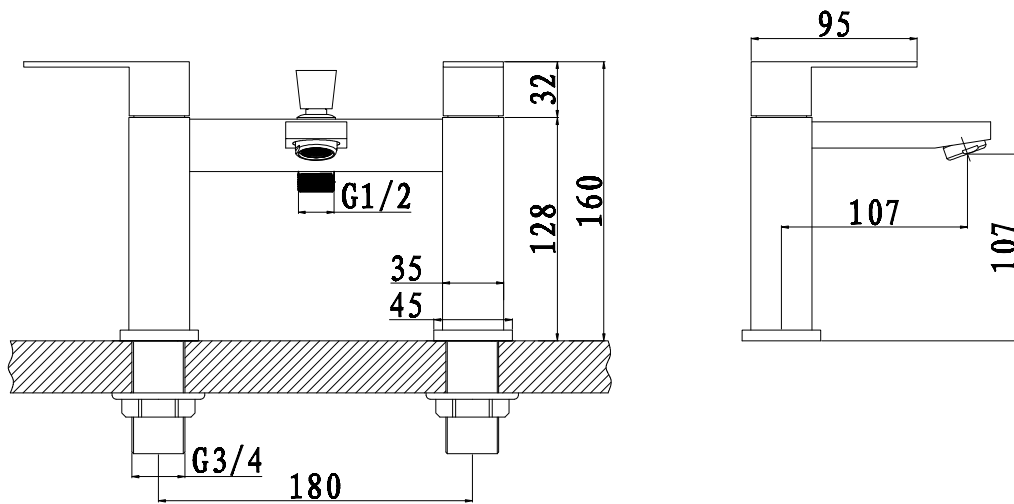
### General Information

Product:	56.2014
Description:	Prado 700 BSM inc kit
Website Link:	<a href="#">(Click Here)</a>
Product Type:	Bath Shower Mixer Taps
Brand:	Eastbrook Company
Colour:	Chrome
Height (mm):	160mm
Width (mm):	225mm
Length (mm):	130mm
Net Weight (kg):	2.96kg
Product Range:	Prado 700

### Product Specifications

Finish:	Polished
---------	----------

## Drawing



56. 2014