

DATASHEET

Image



General Information

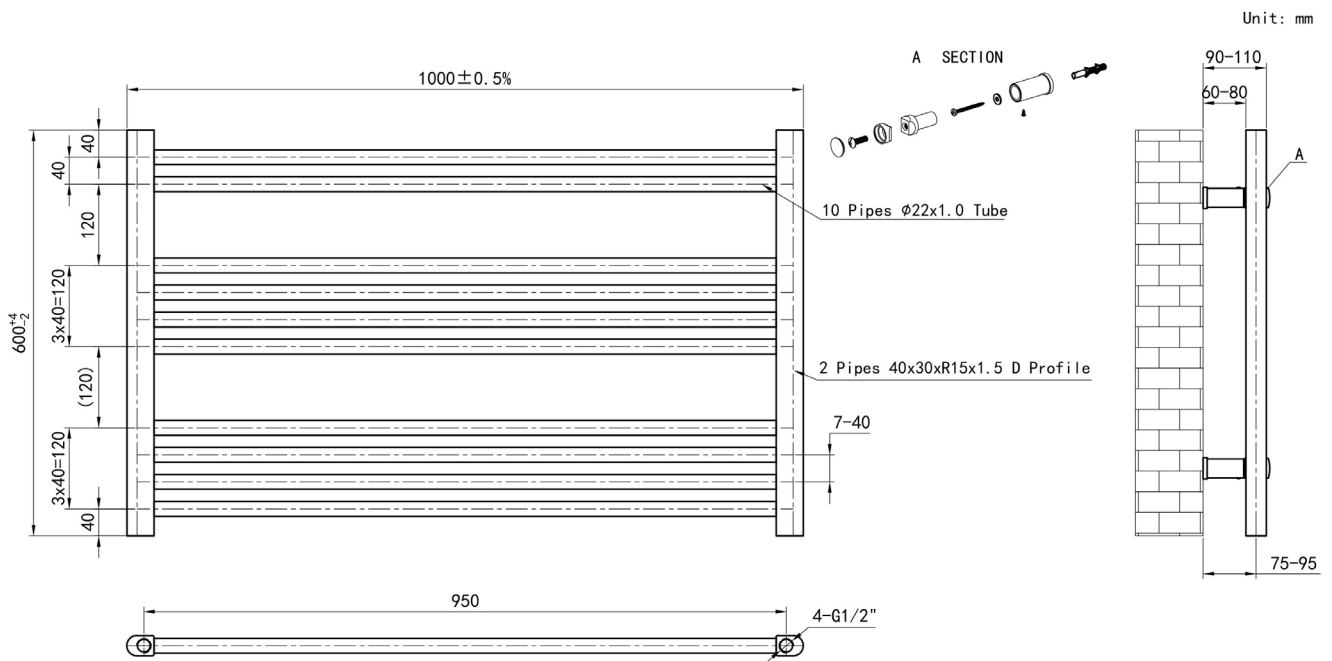
Product:	41.0633
Description:	Wendover Straight Multirail 600 x 1000
Website Link:	(Click Here)
Product Type:	Towel Rail
Brand:	Eastbrook Company
Colour:	Matt Anthracite
Material:	Mild Steel
Height (mm):	600mm
Width (mm):	1000mm
Net Weight (kg):	7.24kg
Product Range:	Wendover

Product Specifications

Warranty:	5 Year(s)
Supplied with fixings:	Yes
Orientation:	Horizontal
BTU $\Delta T50^{\circ}\text{C}$:	1359
BTU $\Delta T60^{\circ}\text{C}$:	1740
Watts $\Delta T50^{\circ}\text{C}$:	399
Watts $\Delta T60^{\circ}\text{C}$:	510

Drawing

Wendover Straight 600 x 1000mm. Technical Drawing



Eastbrook 
Eastbrook Road, Gloucester GL4 3DB
Technical Helpline : 01452 317890
Mon - Fri / 8am - 5pm
Email : technical@eastbrookco.com