

## DATASHEET

### Image



### General Information

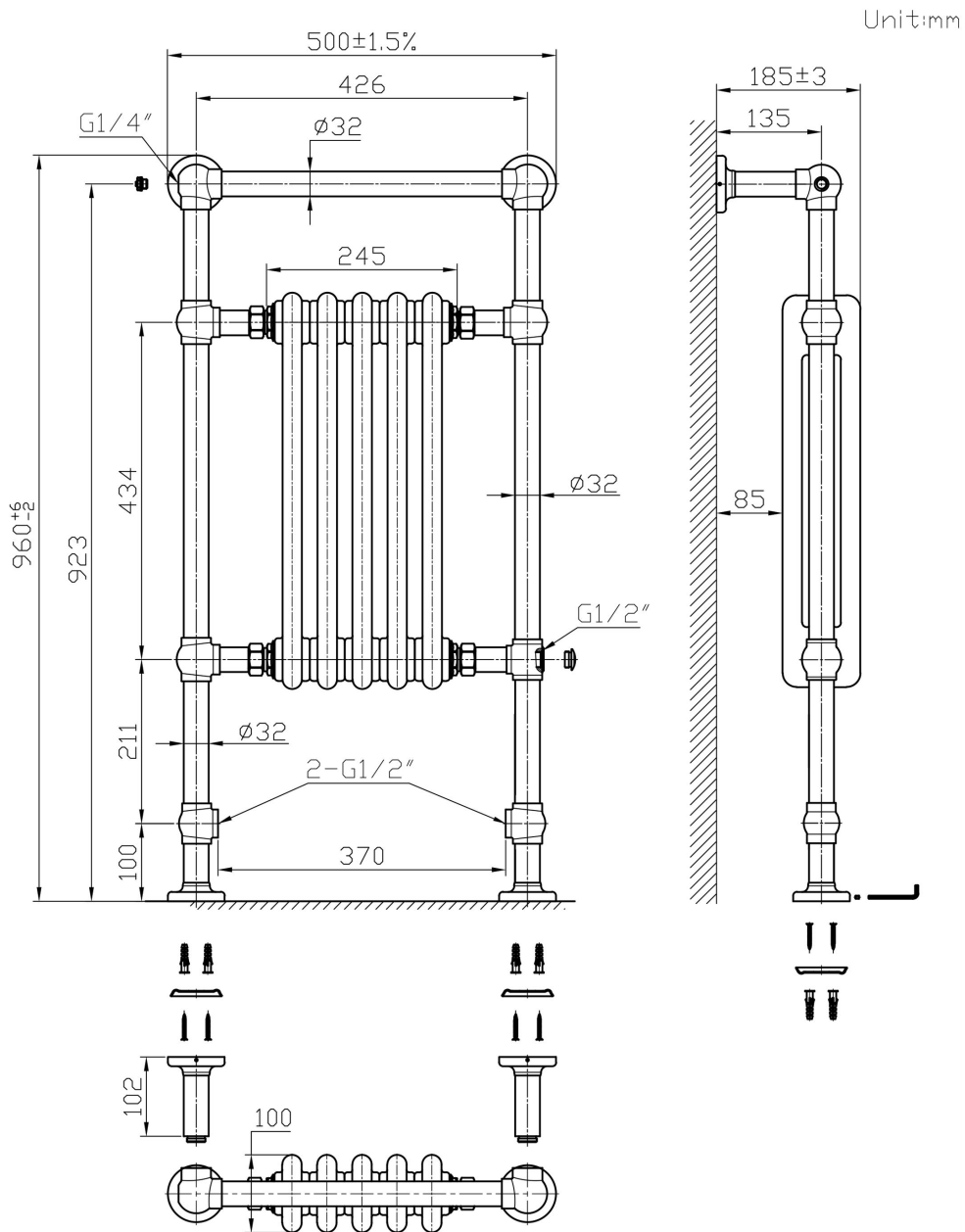
Product:	41.1006
Description:	Avon 960 x 500
Website Link:	<a href="#">(Click Here)</a>
Product Type:	Towel Rail
Brand:	Eastbrook Company
Colour:	Chrome/Gloss White
Material:	Mild Steel
Height (mm):	960mm
Width (mm):	500mm
Net Weight (kg):	13.8kg
Product Range:	Avon

### Product Specifications

Warranty:	5 Year(s)
Supplied with fixings:	Yes
Orientation:	Floor Standing
BTU $\Delta T50^{\circ}\text{C}$ :	1413
BTU $\Delta T60^{\circ}\text{C}$ :	1808
Watts $\Delta T50^{\circ}\text{C}$ :	414
Watts $\Delta T60^{\circ}\text{C}$ :	530

**Drawing**

**Avon Traditional Towel Rail 960 x 500mm.  
 Technical Drawing**



Tappings : 370mm.  
 Tappings from wall : 135mm.  
 Distance from wall : 185mm.

**Eastbrook**   
 Eastbrook Road, Gloucester GL4 3DB  
 Technical Helpline : 01452 317890  
 Mon - Fri / 8am - 5pm  
 Email : technical@eastbrookco.com