

DATASHEET

Image



General Information

Product:	54.0069
Description:	Angled Radiator Valves (pair)
Website Link:	(Click Here)
Product Type:	Radiator Valve
Brand:	Eastbrook Company
Colour:	Brushed Nickel
Height (mm):	14mm
Width (mm):	3.5mm
Length (mm):	9mm
Net Weight (kg):	0.45kg
Product Range:	Radiator Valves

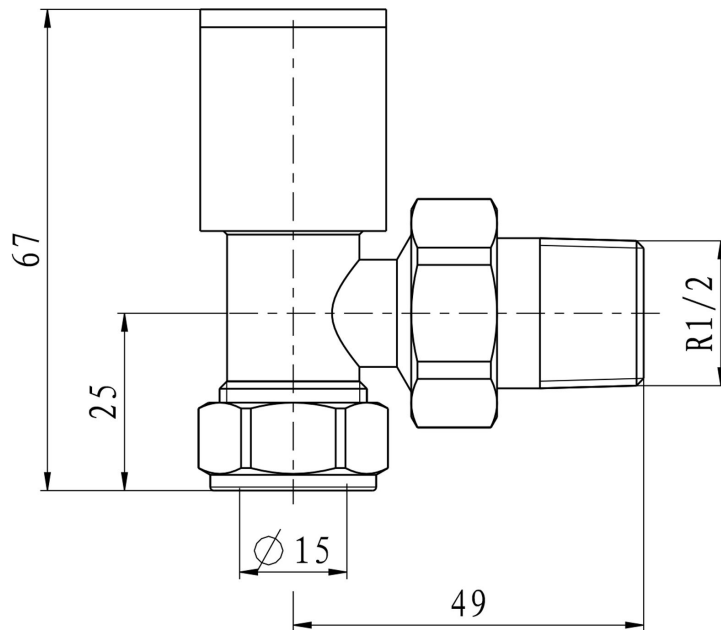
Product Specifications

Warranty:	2 Year(s)
Valve Types:	Angled

Drawing

Angled Manual Radiator Valves (pair) Technical Drawing

54.0043
54.0044
54.0045
54.0046
54.0047



Eastbrook 
Eastbrook Road, Gloucester GL4 3DB
Technical Helpline : 01452 317890
Mon - Fri / 8am - 5pm
Email : technical@eastbrookco.com