

GUARANTEE CARD

Electric heater with temperature regulator
type: HGT

Series (date of manufacture):

Date of sale:

Supplier's rubber stamp and signature

Guarantee conditions:

The manufacturer gives 24 months guarantee from date of sale, and not more than 36 months from date of manufacture. Any defects during this period due to manufacturing faults will be cured by repairing or exchanging the faulty heater for the same model. Complaints can only be entertained up to 14 days from date of delivery to manufacturer.

This guarantee specifically excludes:

The incorrect use of the heater or failure to observe the installation instructions. Mechanical damage to the heating element and/or the temperature regulator caused by improper use of the heater.

Damage to the manufacturer's seal (situated on the bottom of the casing) will automatically cancel any guarantee rights.

IMPORTANT NOTICE:

The Guarantee Card must be completed by the supplier. Any alterations to the Guarantee Card will cause loss of guarantee rights.



Eastbrook Road, Gloucester GL4 3DB
Technical Helpline: 01452 317890
email: technical@eastbrookco.com

Eastbrook

Thank you
for the purchase
of a HGT heater

Up to 300W
element (inc. rad stat)
horizontal

**Electric
heater
with capillary
temperature regulator**

It is important to check the length of the radiator can accommodate the length of the heater to be used.

Please read the instructions before use.

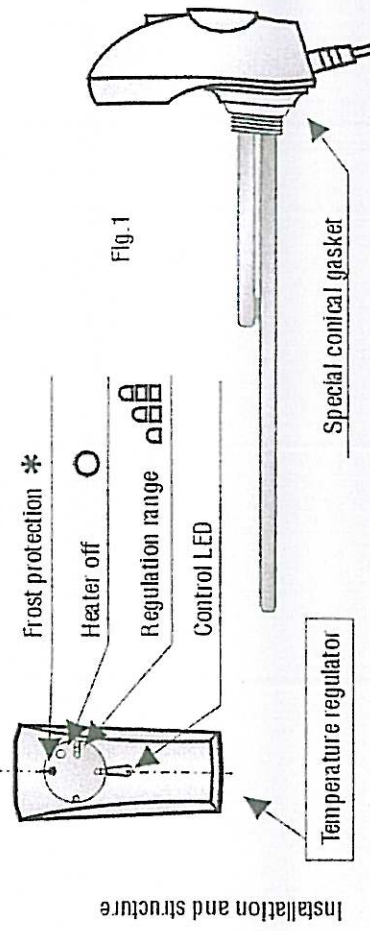
HGT Electric Heaters are designed for use with water, water/glycol filled column radiators.

Water content [l]	Radiator output [W]		Recommended HGT heater	
	min	max	HGT heater output [W]	Length of heating element [mm]
1,5	3	350	300	340
3	4,5	550	600	390
4,5	7,5	850	900	440
7,5	8,5	1050	1200	470
8,5	10	1300	1500	520
10	18	1800	2000	570

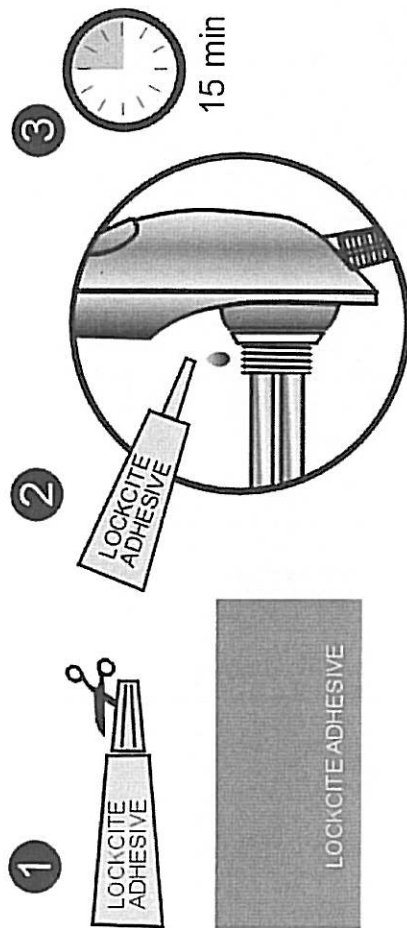


The heater complies with EC standards

If the radiator parameters are different from the ones in the table, there is the need to consult the proper selection with the heater vendor or producer.



1. Before inserting the HGT heater into the radiator, a small amount of Loctite Adhesive (included) should be smeared over half of the circumference of the thread. **DO NOT** put Loctite on the conical gasket, **AVOID CONTACT WITH THE SKIN**. The Loctite adhesive bonds within 15 minutes.



After placing the adhesive on the thread the HGT heater should be screwed into the radiator firmly by hand; No special tools are required. The special conical gasket fitted to the 1/2" or 3/4" connection of the heater enables the heater to be screwed into the radiator until the control box is vertical

2. After installing the HGT heater the radiator should be filled completely with water, fully purged of air, and checked for any leaks. At this point the HGT heater may be hard wired to the electrical system in compliance with UK electrical regulations.
Wire colours: **Brown = live;** **Blue = Neutral;**
Green and Yellow = Earth

N.B. For electric only, water/glycol filled radiators, not attached to the central heating systems, please request separate radiator filling instructions.

3. The HGT heater is switched on by turning the control knob clockwise, and the LED on the casing will light up. The star shaped position on the control knob is for frost protection (approx. 10°C). The range of temperature regulation is from 20°C to 65°C. The heater is turned off by turning the control knob as far as possible anticlockwise (Fig.1)

4. Maintenance:

The HGT heater **MUST BE DISCONNECTED** before cleaning the casing. The casing may be cleaned using a soft cleaning agent on a damp cloth.

AVOID SOAKING THE CASING.

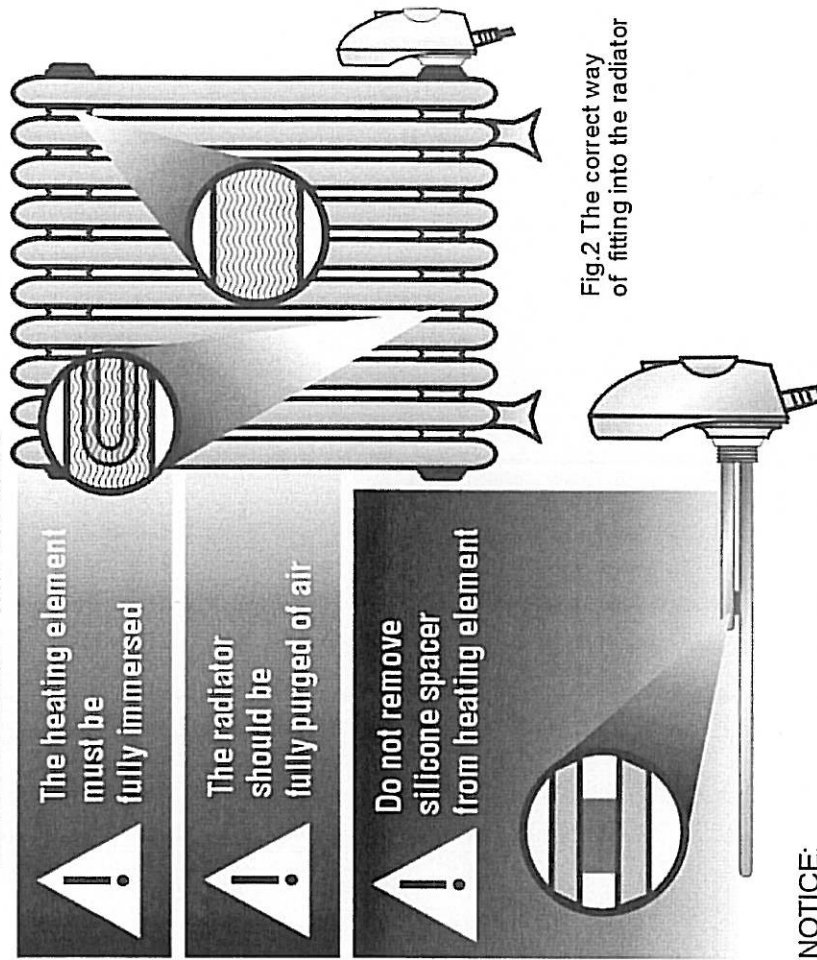


Fig.2 The correct way of fitting into the radiator

NOTICE:

1. The tubular heating element **MUST** be fully immersed in water or water/glycol mixture, to comply with the guarantee conditions, and to ensure long life of the product.
2. Column radiators fitted with electric heaters should be fixed not less than 60 cm from a bath, shower or wash basin, and never above a bath, when placed in a bathroom.
3. HGT-heater should be installed by a qualified person.
4. One radiator valve must always be open when the HGT heater is in use (dual fuel systems only).
5. The flow valve should be open when the HGT heater is not in use.
6. In case of operational failure or damage to the electricity supply cable the HGT-heater should be disconnected and returned to the supplier.

This appliance is not intended for use by persons (including children) with reduced physical, sensory or mental capabilities, or lack of experience and knowledge, unless they have been given supervision or instruction concerning use of the appliance by a person responsible for their safety. Children should be supervised to ensure that they do not play with the appliance.