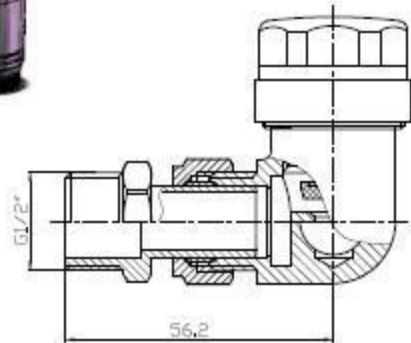


body of TRV



lockshield

