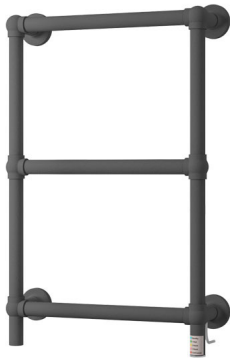


## DATASHEET

### Image



### General Information

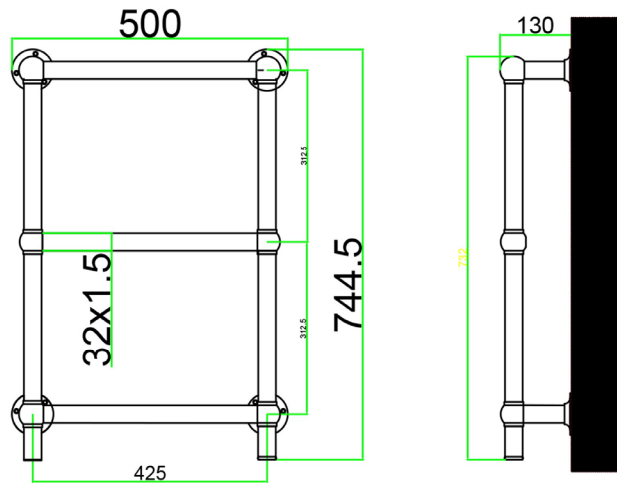
|                  |  |
|------------------|--|
| Product:         | 47.0043                                    |
| Description:     | Kennet Dry Element Towel Rail<br>700 x 500 |
| Website Link:    | <a href="#">(Click Here)</a>               |
| Product Type:    | Towel Rail                                 |
| Brand:           | Eastbrook Company                          |
| Colour:          | Matt Anthracite                            |
| Material:        | Mild Steel                                 |
| Height (mm):     | 700mm                                      |
| Width (mm):      | 500mm                                      |
| Net Weight (kg): | 6.17kg                                     |
| Product Range:   | Kennet                                     |

### Product Specifications

|                                      |           |
|--------------------------------------|-----------|
| Warranty:                            | 2 Year(s) |
| Supplied with fixings:               | Yes       |
| BTU $\Delta T50^{\circ}\text{C}$ :   | 321       |
| BTU $\Delta T60^{\circ}\text{C}$ :   | 410       |
| Watts $\Delta T50^{\circ}\text{C}$ : | 94        |
| Watts $\Delta T60^{\circ}\text{C}$ : | 120       |

## Drawing

### Kennet Dry Element Towel Rail 700 x 500mm. Technical Drawing



**Eastbrook**   
Eastbrook Road, Gloucester GL4 3DB  
Technical Helpline : 01452 317890  
Mon - Fri / 8am - 5pm  
Email : [technical@eastbrookco.com](mailto:technical@eastbrookco.com)