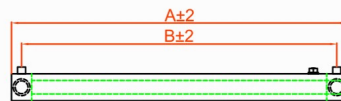
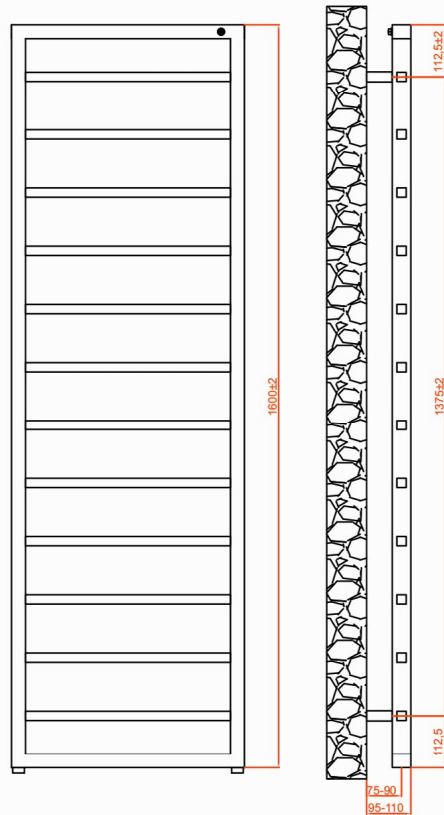
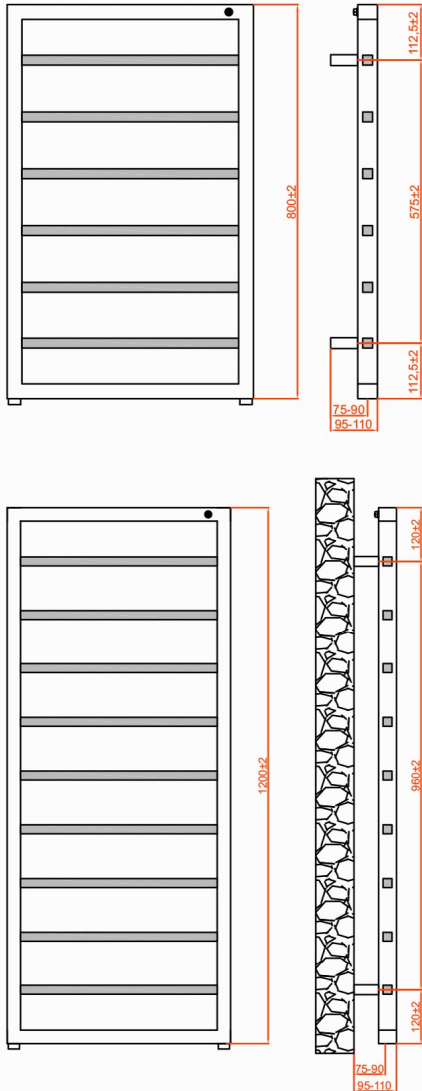


RYTON TOWEL RAIL

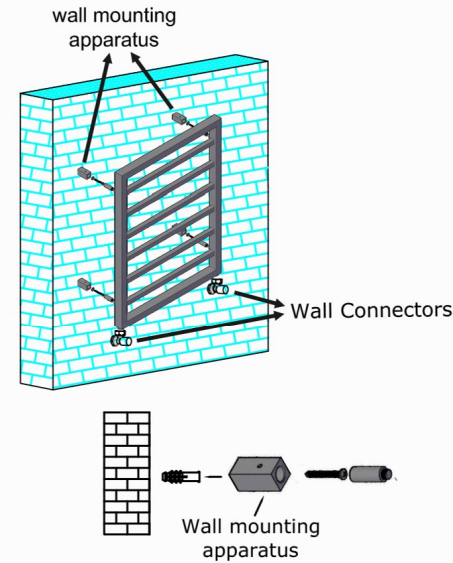
1 Drill the holes for the wall plugs with a \varnothing 10 mm drill bit as illustrated in the figure.



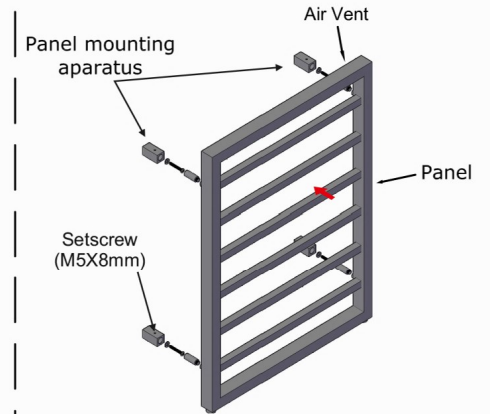
A±2	B±2
500mm	470mm
600mm	570mm

- We reserve to change any technical specification without prior notice.
- This product is warranted against manufacturing defects and our liability under any guarantee is limited to repair or replacement of the defective product. The warranty is not transferrable.
- Corrosion inhibitor must be added to the system regularly in order to maintain the warranty.
- * Radiator valves are not supplied with the radiators.

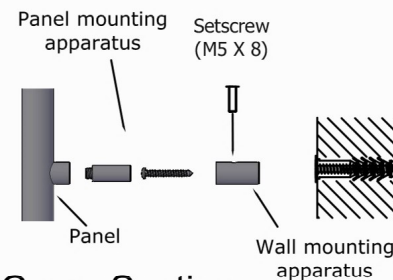
2 Fix the wall mounting apparatus on the wall as illustrated.



3 Fix the panel mounting apparatus to the back of the product as illustrated. Supplied washers must be used. Do not take off the edge and surface protective materials until all plumbing work is finished.



4 Hold the product carefully and put the panel mounting apparatus into the wall mounting apparatus and then fix it by tightening the bolts.



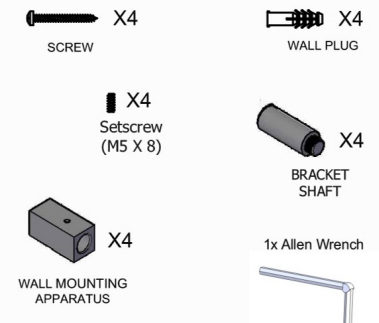
Cross Section

PLEASE READ THIS INSTRUCTION THOROUGHLY BEFORE STARTING THE INSTALLATION

Our products are designed to be fitted by a fully qualified installer and in compliance with all relevant regulations.

- Eastbrook will not accept any liability for damage, injury or unsatisfactory performance if the product is not fitted by a fully qualified installer.
- **Max. Working pressure : 4 bar**

SUPPLIED INSTALLATION ACCESSORIES



CONGRATULATIONS

You are the proud owner of an exclusive Ryton Towel Rail which has been specially produced by our craftsmen who would wish you to enjoy many years of satisfaction from it.

INSTALLATION

This product must be installed by a fully qualified engineer.

- Please consider using an Eastbrook Valve Set – this will ensure that your radiator looks its best with matching radiator valves.
- On commissioning, flush the central heating system thoroughly using a proprietary solution to ensure that aggressive substances such as fluxes and manufacturing residue, from which internal surfaces of your radiator can sustain irreparable damage – are removed. An appropriately approved corrosion inhibitor **must** be subsequently added to the heating system in order to protect the radiator and other parts of the central heating system to promote extended operating lifespan.

MAINTENANCE

- From time to time it is advisable to clean your towel rail with a warm damp cloth. Never use any form of abrasive cleaner or chemical.
- Corrosion inhibitor must also be regularly maintained, please consult your engineer for details.

IMPORTANT

Ryton Towel Rail is not suitable for use on direct central heating systems. Please consult your engineer or supplier.

WARRANTY

Your Ryton Towel Rail is fully warranted for five years in respect of defective materials and workmanship and subject to installation being carried out by a qualified engineer in accordance with good practice and corrosion inhibitors being regularly maintained.

REMEMBER Excellence is worth looking after.