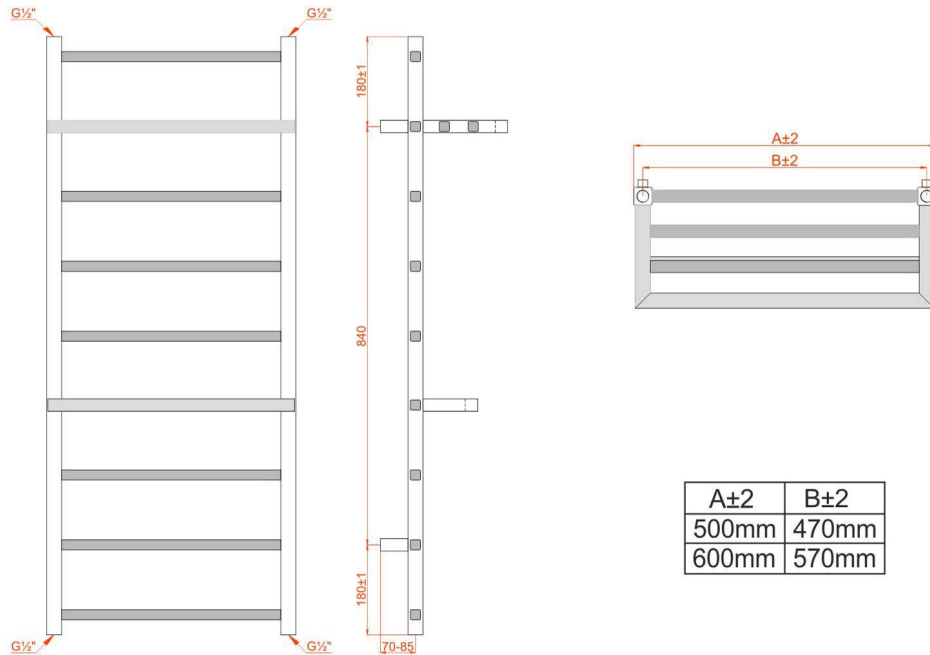


LAUNTON Towel Rail Installation Manual

1

Drill the holes for the wall plugs with a Ø 10 mm drill bit as illustrated in the figure.



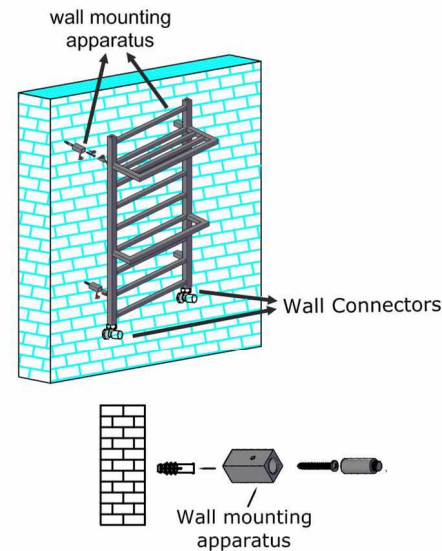
PLEASE READ THIS INSTRUCTION THOROUGHLY BEFORE STARTING THE INSTALLATION

Our products are designed to be fitted by a fully qualified installer and in compliance with all relevant regulations.

- Eastbrook will not accept any liability for damage, injury or unsatisfactory performance if the product is not fitted by a fully qualified installer.
 - **Max. Working pressure : 4 bar**
 - We reserve to change any technical specification without prior notice.
 - This product is warrantied against manufacturing defects and our liability under any guarantee is limited to repair or replacement of the defective product. The warranty is not transferrable.
 - Corrosion inhibitor must be added to the system regularly in order to maintain the warranty.
- * Radiator valves are not supplied with the radiators.

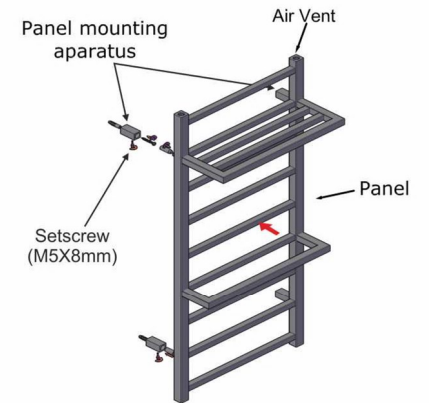
2

Fix the wall mounting apparatus on the wall as illustrated.



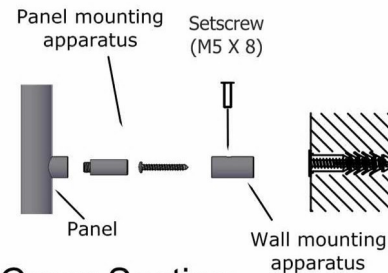
3

Fix the panel mounting apparatus to the back of the product as illustrated. Supplied washers must be used. Do not take off the edge and surface protective materials until all plumbing work is finished.



4

Hold the product carefully and put the panel mounting apparatus into the wall mounting apparatus and then fix it by tightening the bolts.



Cross Section

SUPPLIED INSTALLATION ACCESSORIES

