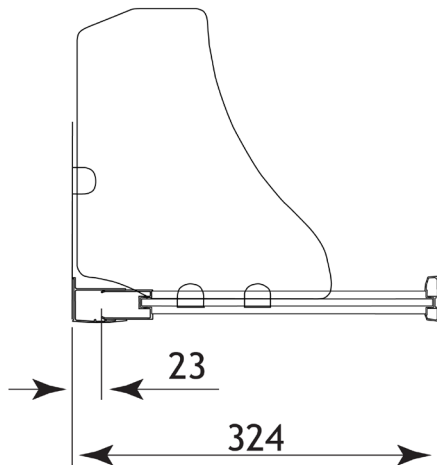


DATASHEET

Image



Drawing



General Information

Product:	58.043
Description:	Volente 300mm Inline Panel with Shelf
Website Link:	(Click Here)
Product Type:	Inline Panel with Shelves
Brand:	Eastbrook Company
Colour:	Chrome
Material:	Tempered Glass
Height (mm):	1850mm
Width (mm):	300mm
Net Weight (kg) (kg):	14kg
Product Range:	Volente

Product Specifications

Warranty:	10 Year(s)
Easy Clean glass:	Yes
Finish:	Polished
Frameless:	Yes
Glass Thickness (mm):	6mm
Glass type:	Frosted Glass
Waste Included:	No
Adjustment (mm):	300-325mm