

## DATASHEET

### Image



### General Information

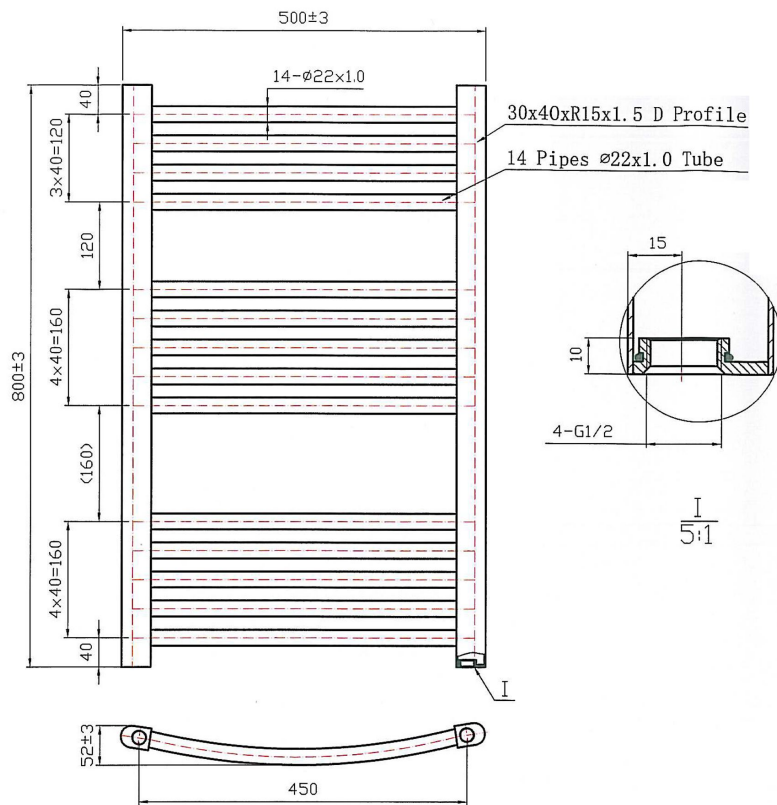
Product:	41.0034
Description:	Wendover Curved Multirail 800 x 500
Website Link:	<a href="#">(Click Here)</a>
Product Type:	Towel Rail
Brand:	Eastbrook Company
Colour:	Gloss White
Material:	Mild Steel
Height (mm):	800mm
Width (mm):	500mm
Net Weight (kg):	6kg
Product Range:	Wendover

### Product Specifications

Warranty:	5 Year(s)
Supplied with fixings:	Yes
Orientation:	Portrait
BTU $\Delta T50^{\circ}\text{C}$ :	1056
BTU $\Delta T60^{\circ}\text{C}$ :	1351
Watts $\Delta T50^{\circ}\text{C}$ :	310
Watts $\Delta T60^{\circ}\text{C}$ :	396

## Drawing

### Wendover Curved 800 x 500mm. Technical Drawing



800\*500 14 pipes Curved

**Eastbrook**   
Eastbrook Road, Gloucester GL4 3DB  
Technical Helpline : 01452 317890  
Mon - Fri / 8am - 5pm  
Email : technical@eastbrookco.com