

INSTALLATION MANUAL

1. Mounting.

Wall Hung Cabinet Mounting

Locate the furniture in your bathroom, see figure 1 & 2.

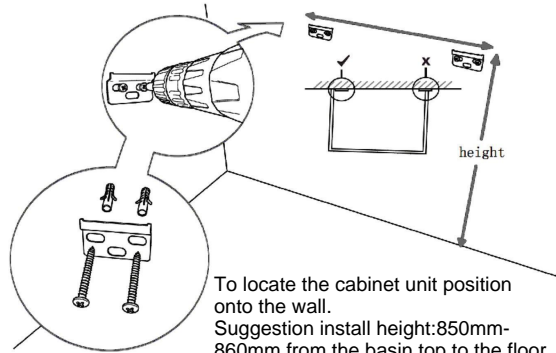


Figure1

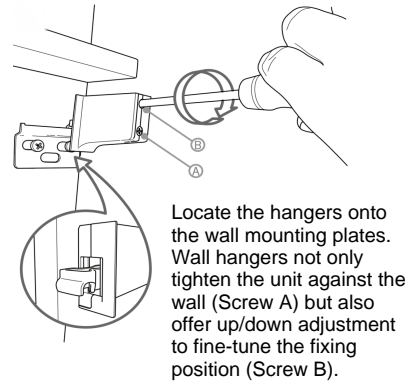


Figure2

Free Standing Cabinet Mounting

Locate the furniture in your bathroom, see figure 3 & 4.

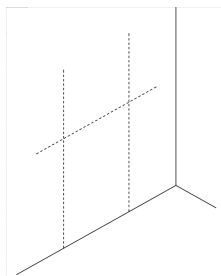


Figure3

>>> Set the furniture on the position.

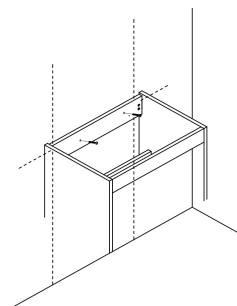


Figure4

2. Hinge Adjustment

Hinges may require adjustment for correct door alignment. This is achieved with the adjustable soft close hinges using the adjustment screws A and B (see figure 5)

To make adjustment 1, tighten/loosen screw A;

To make adjustment 2, simply turn screw B. (see figure 6)

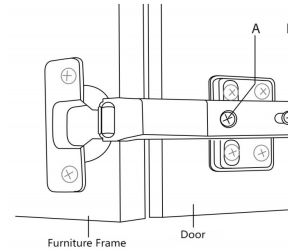


Figure5

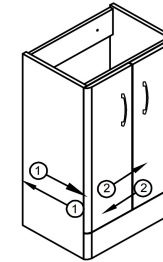
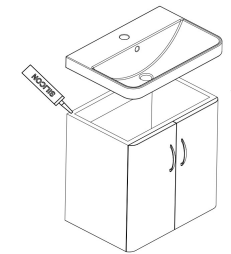
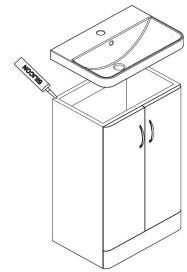


Figure6

3. Basin Fitting

When fitting the basin to this unit, you are required to apply an adequate sealing compound between the basin and unit to prevent potential water damage.



4. Product Maintenance

To maintain the surface finish of your product, please ensure:

- The room is well ventilated.
- Excess water which may sit on the surface is wiped dry.
- Any bathroom products being used which may splash on the surface are wiped clean.
- Any soap residue is wiped clean.
- Use only a clean damp cloth, no abrasive cleaning solutions or material can be used on the product, as this will invalidate your guarantee

Technical Helpline: 01452 317890

Email: technical@eastbrookco.com

Eastbrook Road, Gloucester GL4 3DB

Eastbrook 