

DATASHEET

Image



General Information

Product:	12.053
Description:	15mm Corner TRV & Lockshield Valve
Website Link:	(Click Here)
Product Type:	Radiator Valve
Brand:	Eastbrook Company
Colour:	Matt White
Material:	Brass + Plastic
Net Weight (kg):	0.659kg
Product Range:	Radiator Valves

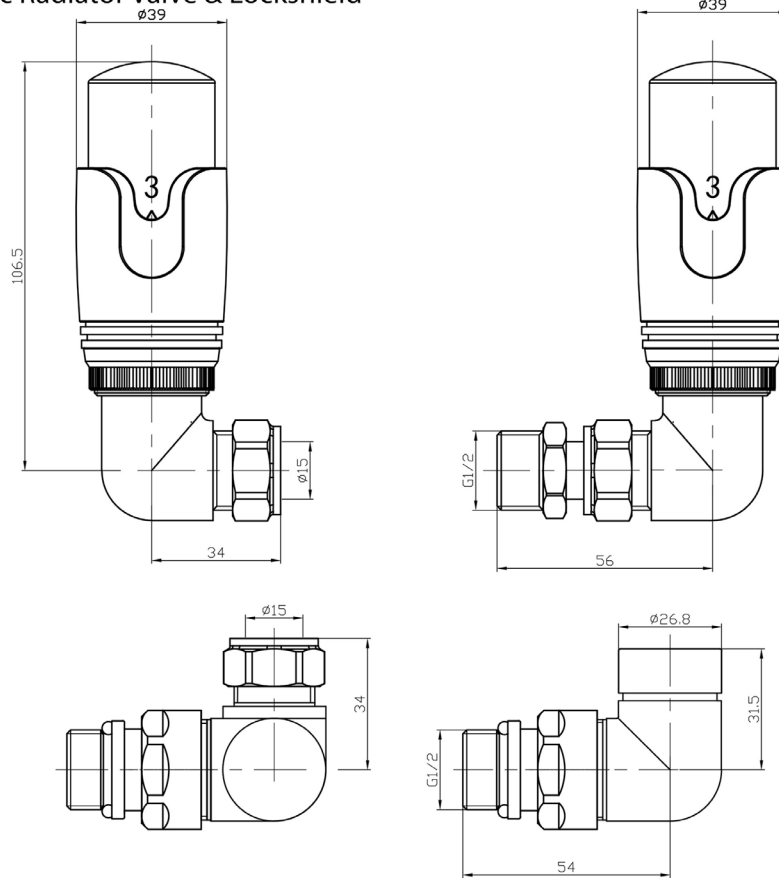
Product Specifications

Warranty:	2 Year(s)
Valve Types:	Corner

Drawing

Eastbrook

Corner Thermostatic Radiator Valve & Lockshield
Technical Drawing



- 12.049
- 12.045
- 12.061
- 41.3037
- 12.053
- 12.054
- 12.055
- 12.056
- 12.057
- 12.077
- 12.080
- 12.086

Eastbrook 
Eastbrook Road, Gloucester GL4 3DB
Technical Helpline : 01452 317890
Mon - Fri / 8am - 5pm
Email : technical@eastbrookco.com