

DATASHEET

Image



General Information

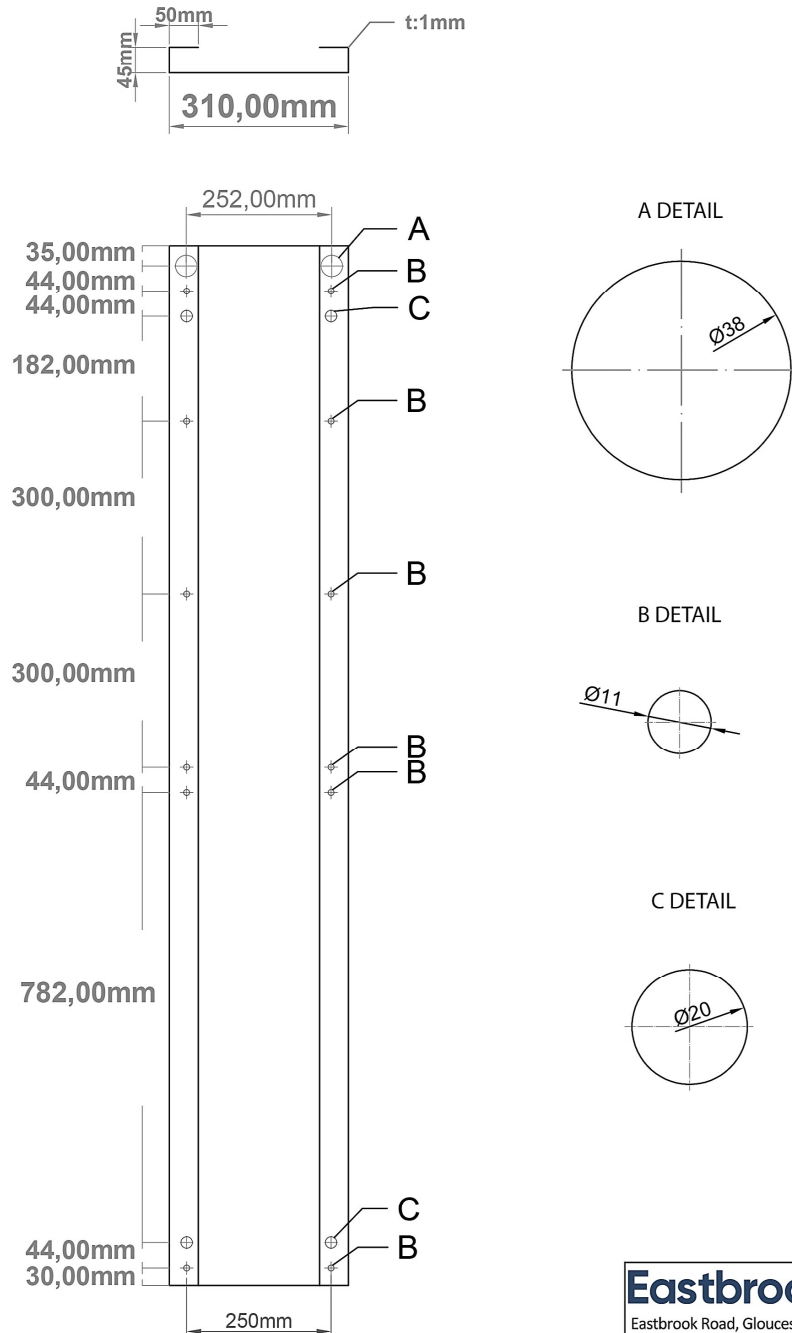
Product:	89.1463
Description:	Wingrave 1800 x 310 Flat Panel Radiator
Website Link:	(Click Here)
Product Type:	Radiator
Brand:	Eastbrook Company
Colour:	Matt Anthracite
Material:	Mild Steel
Height (mm):	1800mm
Width (mm):	310mm
Net Weight (kg):	14.1kg
Product Range:	Wingrave Flat Panel

Product Specifications

Warranty:	5 Year(s)
Supplied with fixings:	Yes
Orientation:	Vertical
BTU $\Delta T50^{\circ}\text{C}$:	1850
BTU $\Delta T60^{\circ}\text{C}$:	2368
Watts $\Delta T50^{\circ}\text{C}$:	543
Watts $\Delta T60^{\circ}\text{C}$:	694
Valve Types:	

Drawing

Wingrave Flat Panel 1800 x 510mm. Cover Technical Drawing



Eastbrook 
Eastbrook Road, Gloucester GL4 3DB
Technical Helpline : 01452 317890
Mon - Fri / 8am - 5pm
Email : technical@eastbrookco.com