

## DATASHEET

### Image



### General Information

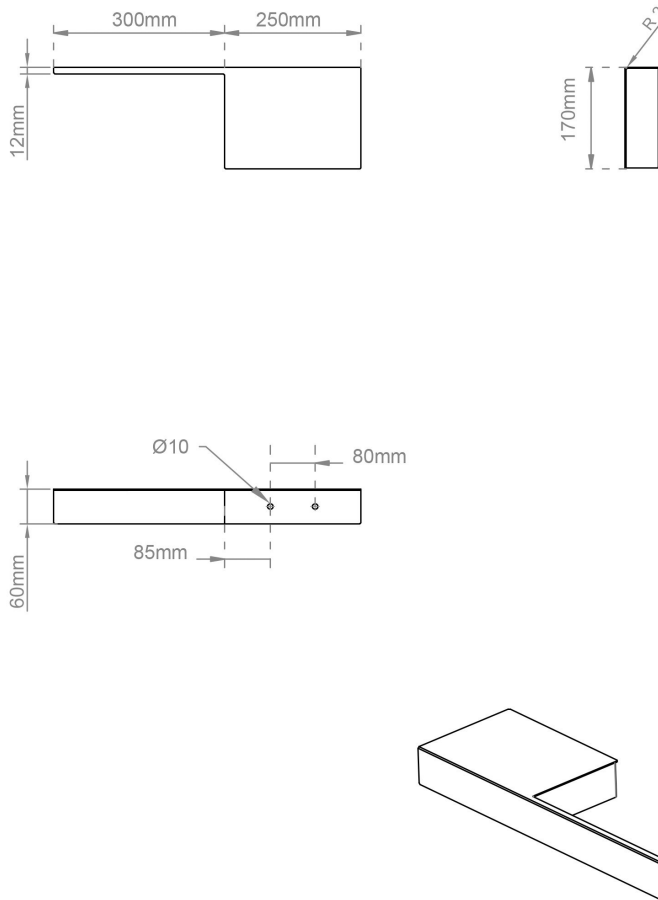
Product:	89.0894R
Description:	Multi-Purpose Towel Hanger RH 300mm
Website Link:	<a href="#">(Click Here)</a>
Product Type:	Towel Hanger
Brand:	Eastbrook Company
Colour:	Matt Black
Material:	Mild Steel
Width (mm):	300mm
Net Weight (kg):	2.097kg
Product Range:	Universal

### Product Specifications

Warranty:	1 Year(s)
-----------	-----------

**Drawing**

**Multi-Purpose Towel Hanger L / R Hand Side - 300mm**  
 Technical Drawing



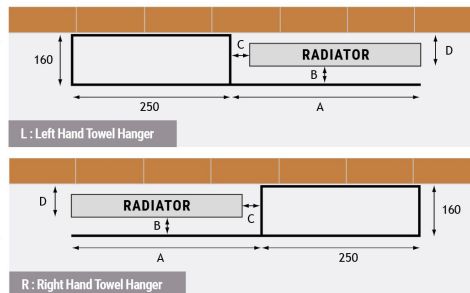
**TECHNICAL INFORMATION**

Please check the technical drawing to see all the required measurements. Multi-Purpose Towel Hangers can only be fitted on the wall.

Left Hand Towel Hangers : When fitted on the wall and looking from front, shelf is on the left and towel can be hung from the right.

Right Hand Towel Hangers : When fitted on the wall and looking from front, shelf is on the right and towel can be hung from the left.

**Can be fitted after installation!**



**Eastbrook**   
 Eastbrook Road, Gloucester GL4 3DB  
 Technical Helpline : 01452 317890  
 Mon - Fri / 8am - 5pm  
 Email : technical@eastbrookco.com