

## DATASHEET

### Image



### General Information

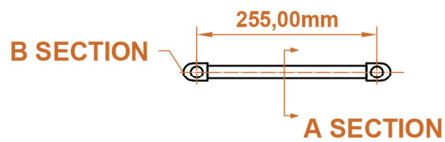
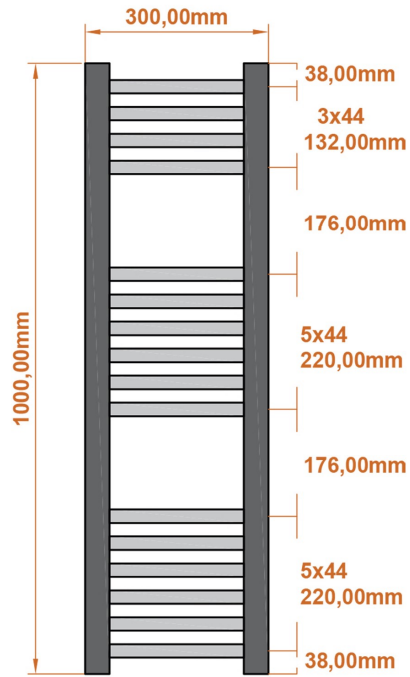
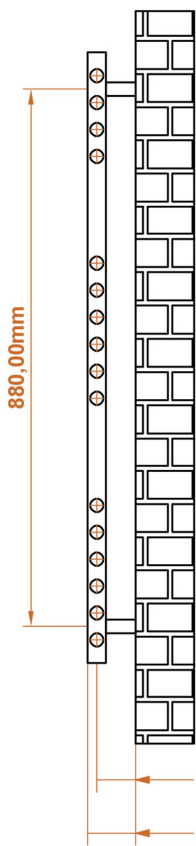
Product:	89.0651
Description:	Wingrave 1000 x 300 Straight Multirail
Website Link:	<a href="#">(Click Here)</a>
Product Type:	Towel Rail
Brand:	Eastbrook Company
Colour:	Gloss White
Material:	Mild Steel
Height (mm):	1000mm
Width (mm):	300mm
Net Weight (kg):	4.01kg
Product Range:	Wingrave

### Product Specifications

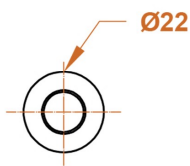
Warranty:	5 Year(s)
Supplied with fixings:	Yes
Watts $\Delta T50^{\circ}\text{C}$ :	264
Valve Types:	

## Drawing

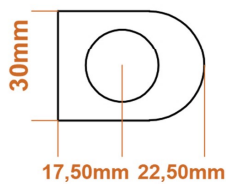
### Wingrave Straight Towel Rail 1000 x 300mm. Technical Drawing



#### A SECTION



#### B SECTION



**Eastbrook**   
Eastbrook Road, Gloucester GL4 3DB  
Technical Helpline : 01452 317890  
Mon - Fri / 8am - 5pm  
Email : technical@eastbrookco.com