

DATASHEET

Image



General Information

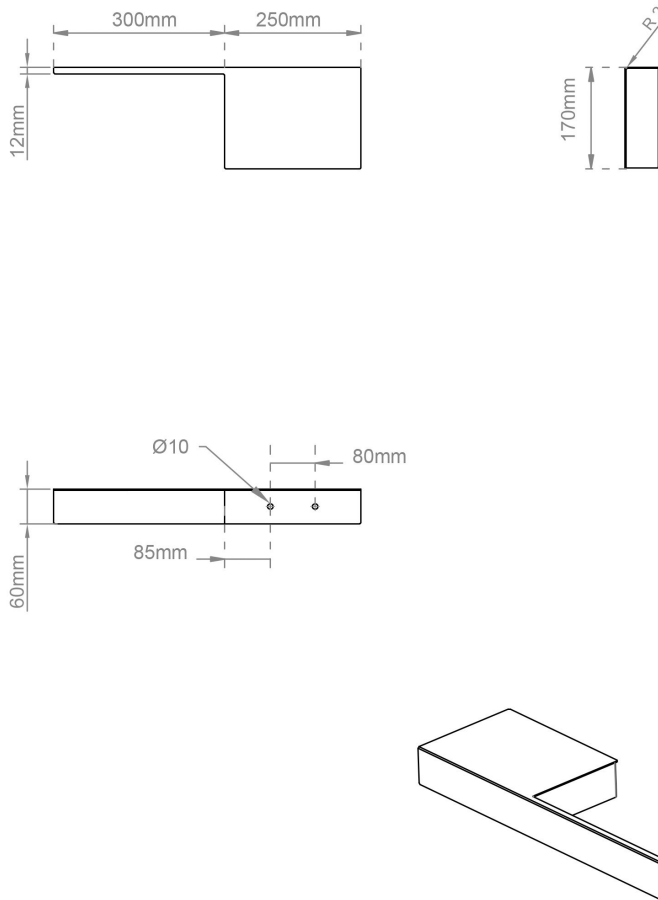
Product:	89.0894L
Description:	Multi-Purpose Towel Hanger LH 300mm
Website Link:	(Click Here)
Product Type:	Towel Hanger
Brand:	Eastbrook Company
Colour:	Matt Black
Material:	Mild Steel
Width (mm):	300mm
Net Weight (kg):	1.1kg
Product Range:	Universal

Product Specifications

Warranty:	1 Year(s)
-----------	-----------

Drawing

Multi-Purpose Towel Hanger L / R Hand Side - 300mm
 Technical Drawing

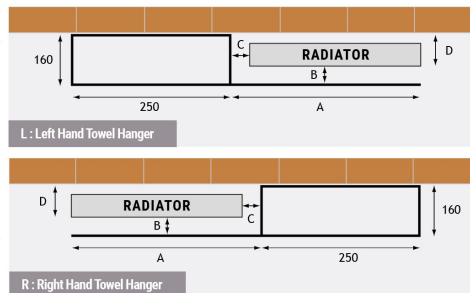


TECHNICAL INFORMATION

Please check the technical drawing to see all the required measurements. Multi-Purpose Towel Hangers can only be fitted on the wall.

Left Hand Towel Hangers : When fitted on the wall and looking from front, shelf is on the left and towel can be hung from the right.

Right Hand Towel Hangers : When fitted on the wall and looking from front, shelf is on the right and towel can be hung from the left.
Can be fitted after installation!



Eastbrook 
 Eastbrook Road, Gloucester GL4 3DB
 Technical Helpline : 01452 317890
 Mon - Fri / 8am - 5pm
 Email : technical@eastbrookco.com