

DATASHEET

Image



General Information

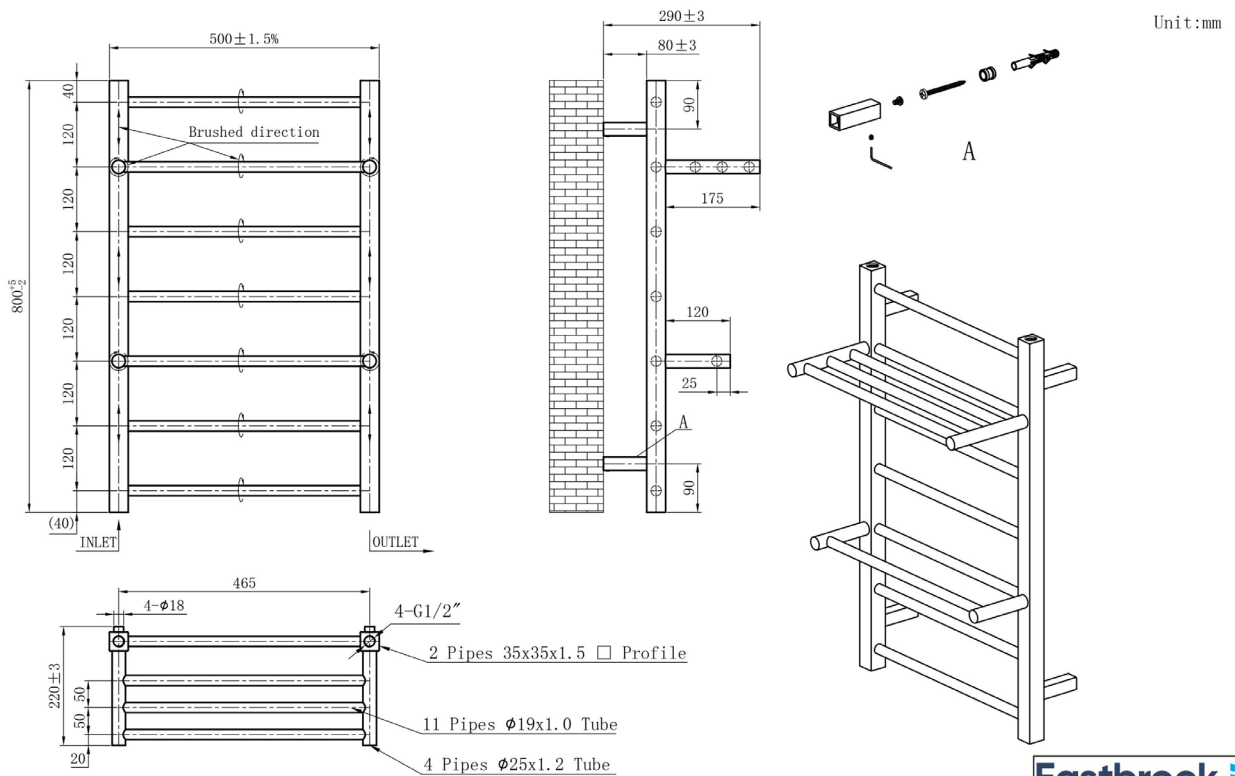
Product:	41.1115
Description:	Velino Stainless Steel Towel Rail 800 x 500
Brand:	Eastbrook Company
Colour:	Brushed
Material:	Stainless Steel
Height (mm):	800mm
Width (mm):	500mm
Net Weight (kg):	4.73kg
Product Range:	Velino

Product Specifications

Finish:	Brushed
BTU $\Delta T50^{\circ}\text{C}$:	802
BTU $\Delta T60^{\circ}\text{C}$:	1006
Watts $\Delta T50^{\circ}\text{C}$:	235
Watts $\Delta T60^{\circ}\text{C}$:	295

Drawing

Velino 800 x 500mm. Stainless Steel Brushed Technical Drawing



Eastbrook
Eastbrook Road, Gloucester GL4 3DB
Technical Helpline : 01452 317890
Mon - Fri / 8am - 5pm
Email : technical@eastbrookco.com