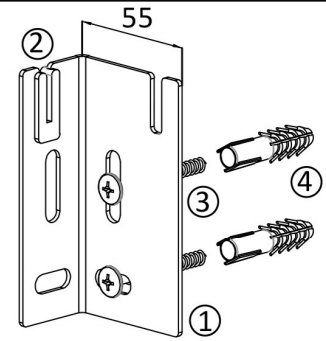
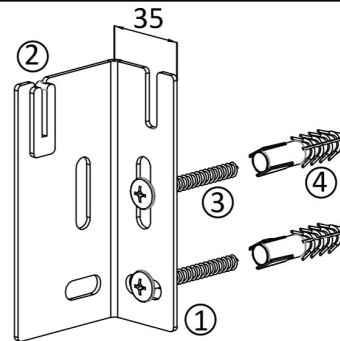
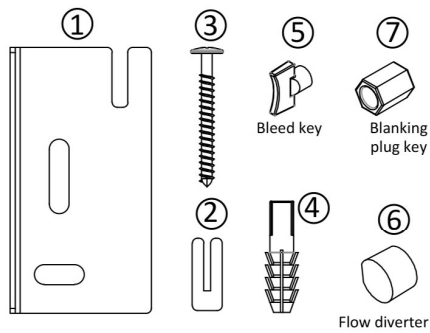
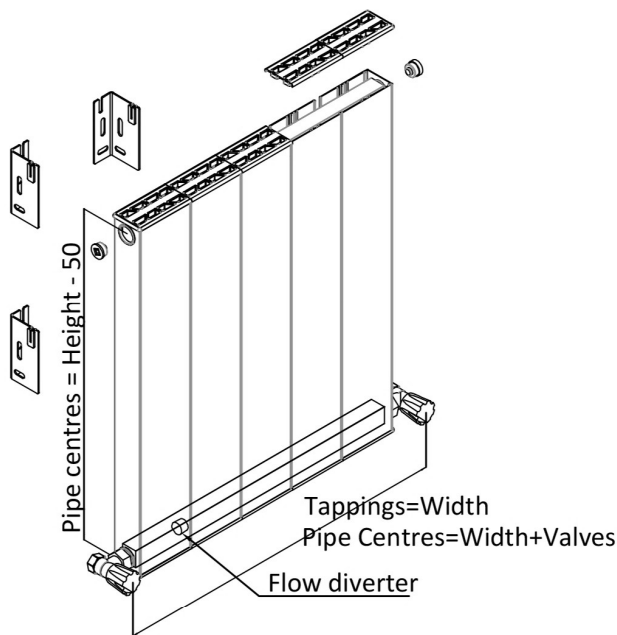
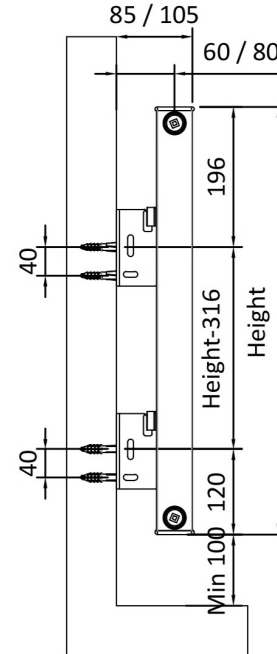
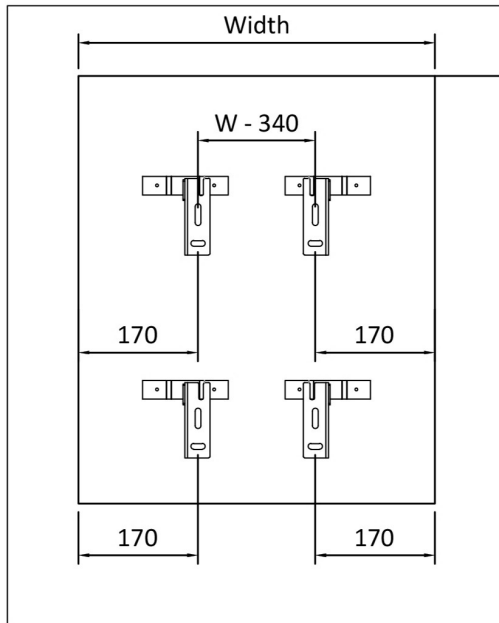


# Vesima Assembly Instructions

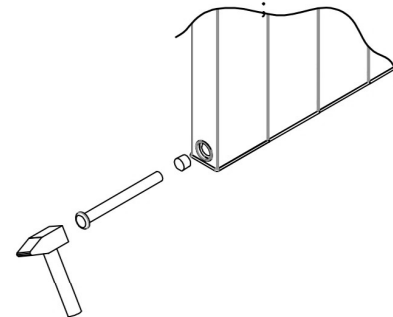
Part number	Quantity
1	4
2	4
3	8
4	8
5	1
6	1
7	1



Bleed valve & blanking plugs do NOT come installed on the radiators.  
Bleed valve should be installed on the opposite top side of the flow for better performance



How to install the flow diverter

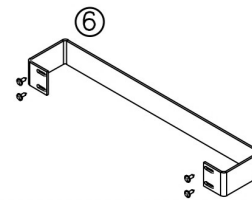
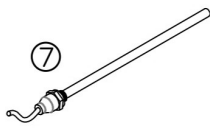


\* Diverter should be installed into the flow side of the radiator

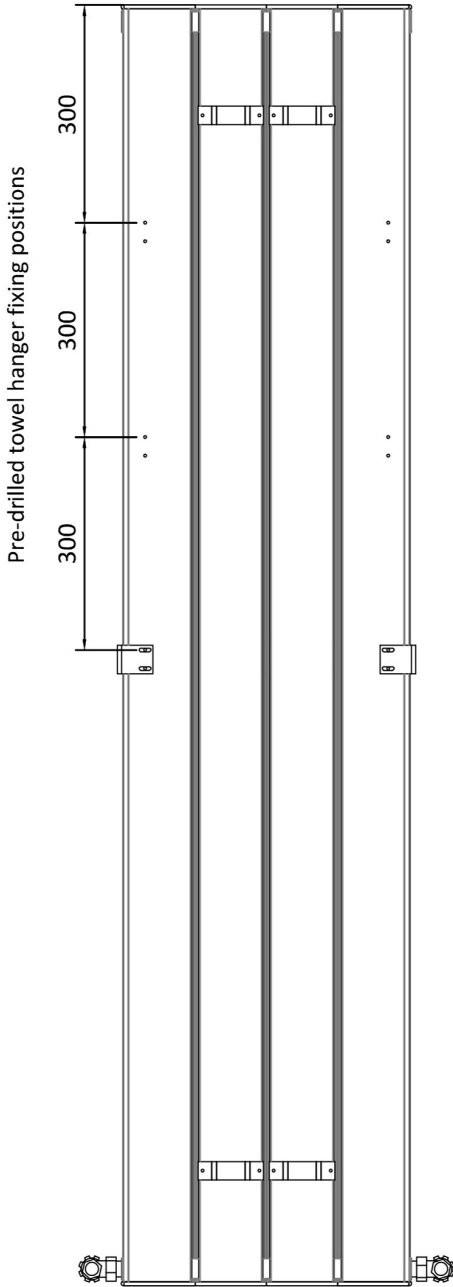
Profile quantity of radiator	Install the flow diverter
3, 4, 5	Between first and second profiles
6, 8	Between second and third profiles
10, 12, 14	Between third and fourth profiles

Profile quantity	3	4	5	6	8	10	12	14
W (mm)	303	403	503	603	803	1003	1203	1403

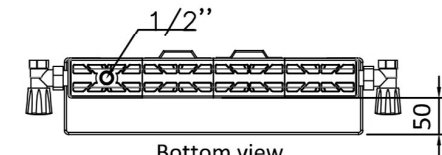
**Eastbrook**  
 Eastbrook Road, Gloucester GL4 3DB  
 Technical Helpline : 01452 317890  
 Mon - Fri / 8am - 5pm  
 Email : technical@eastbrookco.com



\* Item 6&7 must be purchased separately, deos not come with the radiator.

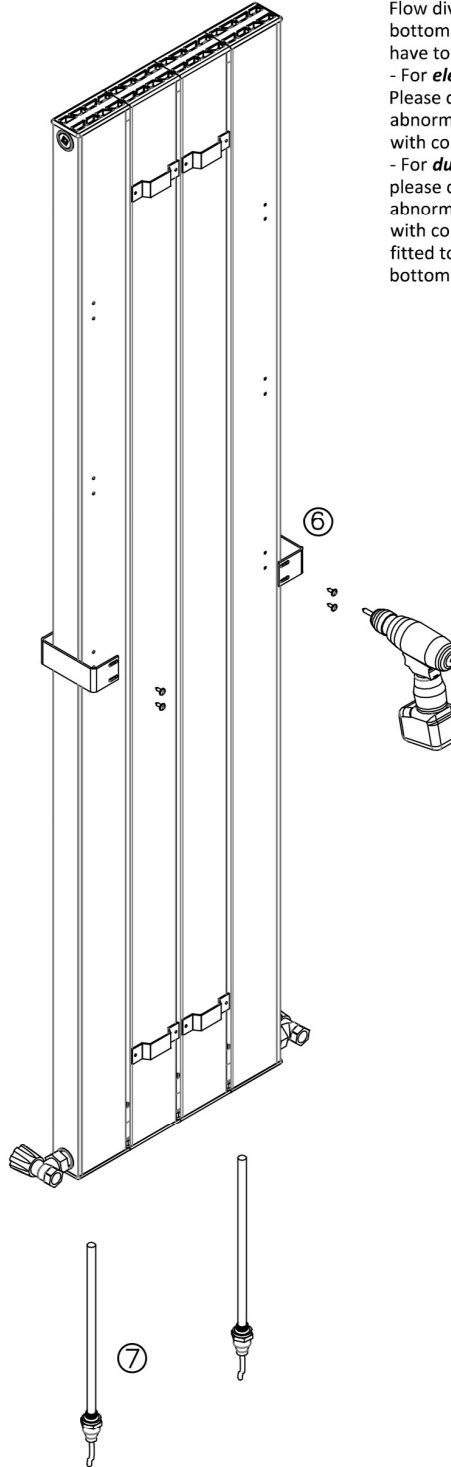


Pre-drilled towel hanger fixing positions



Bottom view  
with towel hanger

\* Element inlet is on the right side when looking at the radiator from the front.



- For **central heating system** installations; Flow diverter must be fitted on the flow size, on the bottom header. Bottom header blanking plugs may have to be removed in order to fit the flow diverter.
- For **electric only** installation; Please do **NOT** fit the flow diverter, this may cause abnormalities in the water circulation and may end with cold spots on your radiator
- For **dual fuel** installations; please do **NOT** fit the flow diverter, this may cause abnormalities in the water circulation and may end with cold spots on your radiator. Elements must be fitted to the element inlet on te flow side of the bottom header

**Eastbrook**

Eastbrook Road, Gloucester GL4 3DB

Technical Helpline : 01452 317890

Mon - Fri / 8am - 5pm

Email : [technical@eastbrookco.com](mailto:technical@eastbrookco.com)

## CONGRATULATIONS

You are the proud owner of an exclusive Vesima Aluminium Radiator which has been specially produced by our craftsmen who would wish you to enjoy many years of satisfaction from it.

## INSTALLATION

This product must be installed by a fully qualified engineer.

- Please consider using an Eastbrook Valve Set – this will ensure that your radiator looks its best with matching radiator valves.
- On commissioning, flush the central heating system thoroughly using a proprietary solution to ensure that aggressive substances such as fluxes and manufacturing residue, from which internal surfaces of your radiator can sustain irreparable damage – are removed. An appropriately approved corrosion inhibitor **must** be subsequently added to the heating system in order to protect the radiator and other parts of the central heating system to promote extended operating lifespan.

## MAINTENANCE

- From time to time it is advisable to clean your towel rail with a warm damp cloth. Never use any form of abrasive cleaner or chemical.
- Corrosion inhibitor must also be regularly maintained, please consult your engineer for details.

## IMPORTANT

- Maximum working pressure of this radiator is 4 bar.
- This radiator is to be used on Domestic Central Heating systems only. (Not suitable for use on direct hot water systems) Please consult your engineer or supplier.

## WARRANTY

Your Vesima Aluminium Radiator is fully warranted for five years in respect of defective materials and workmanship and subject to installation being carried out by a qualified engineer in accordance with good practice and corrosion inhibitors being regularly maintained.

**REMEMBER** ..... Excellence is worth looking after.