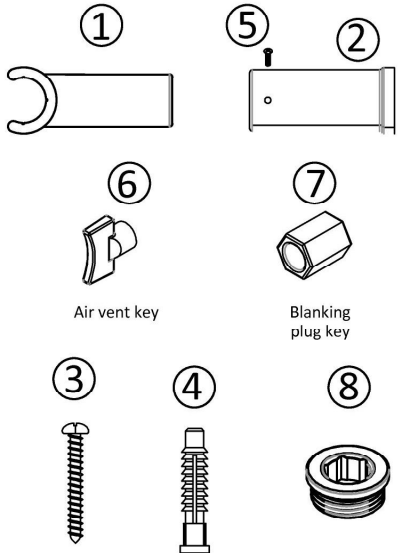
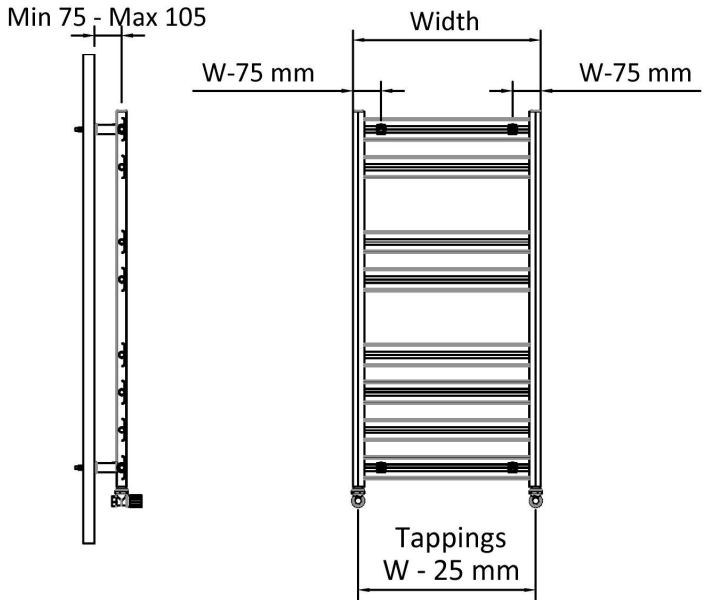


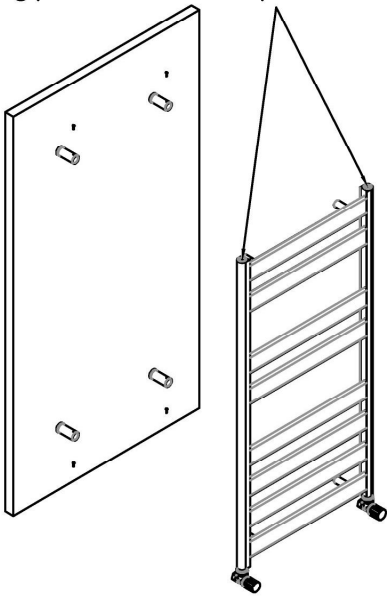
# Pelago Assembly Instructions



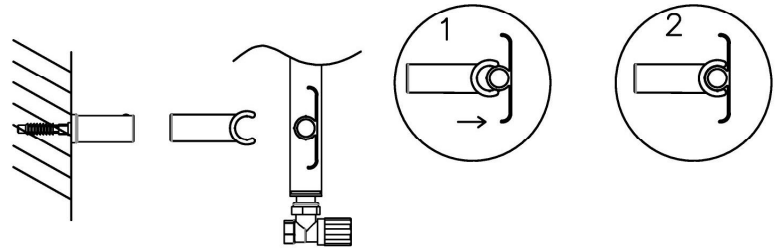
Part number	Quantity
1	4
2	4
3	4
4	4
5	4
6	1
7	1
8	1



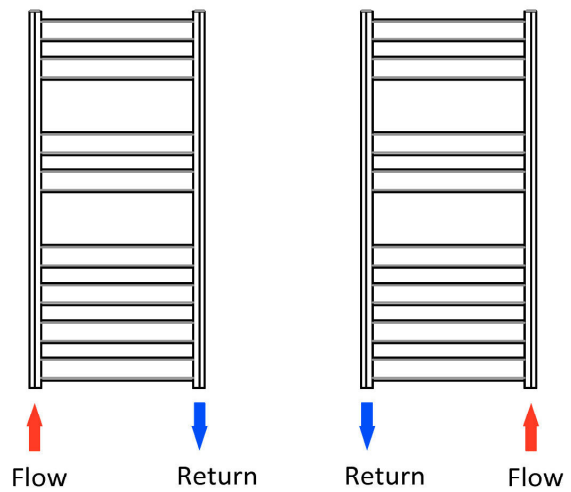
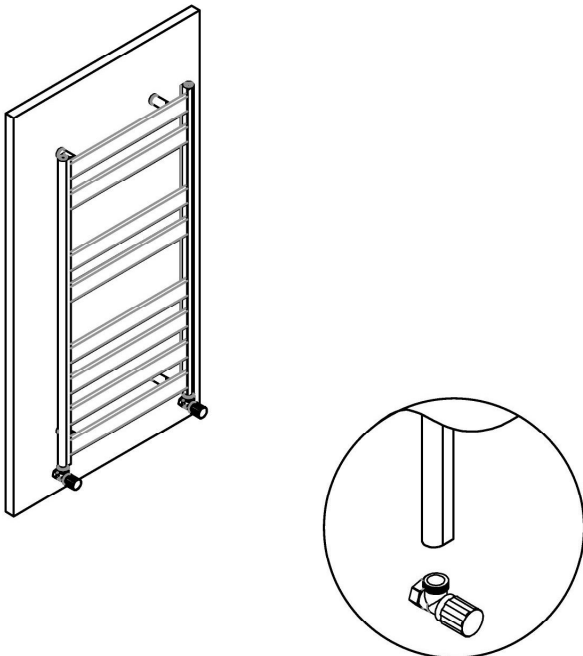
Pelago Aluminium Towel Tail comes with 1x air vent and 1x blanking plug pre-fitted at the top threads.



Tapping from wall: 75-105 mm.  
Radiator front to wall 85-115 mm.



\* No flow diverter required to be fitted.



**Eastbrook**

Eastbrook Road, Gloucester GL4 3DB  
 Technical Helpline : 01452 317890  
 Mon - Fri / 8am - 5pm  
 Email : technical@eastbrookco.com

## CONGRATULATIONS

You are the proud owner of an exclusive Pelago Aluminium Towel Rail which has been specially produced by our craftsmen who would wish you to enjoy many years of satisfaction from it.

## INSTALLATION

This product must be installed by a fully qualified engineer.

- Please consider using an Eastbrook Valve Set – this will ensure that your radiator looks its best with matching radiator valves.
- On commissioning, flush the central heating system thoroughly using a proprietary solution to ensure that aggressive substances such as fluxes and manufacturing residue, from which internal surfaces of your radiator can sustain irreparable damage – are removed. An appropriately approved corrosion inhibitor **must** be subsequently added to the heating system in order to protect the radiator and other parts of the central heating system to promote extended operating lifespan.

## MAINTENANCE

- From time to time it is advisable to clean your towel rail with a warm damp cloth. Never use any form of abrasive cleaner or chemical.
- Corrosion inhibitor must also be regularly maintained, please consult your engineer for details.

## IMPORTANT

- Maximum working pressure of this radiator is 4 bar.
- This radiator is to be used on Domestic Central Heating systems only. (Not suitable for use on direct hot water systems) Please consult your engineer or supplier.

## WARRANTY

Your Pelago Aluminium Towel Rail is fully warranted for five years in respect of defective materials and workmanship and subject to installation being carried out by a qualified engineer in accordance with good practice and corrosion inhibitors being regularly maintained.

**REMEMBER** ..... Excellence is worth looking after.