

## DATASHEET

### Image



### General Information

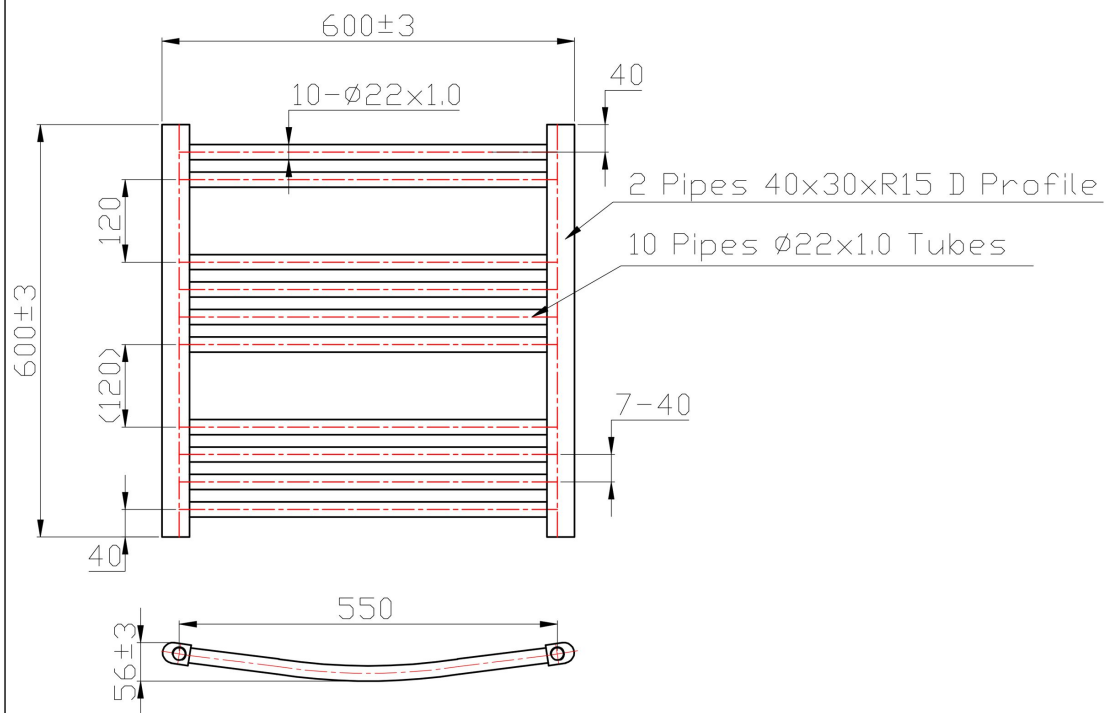
Product:	41.0099
Description:	Wendover Curved Multirail 600 x 600
Website Link:	<a href="#">(Click Here)</a>
Product Type:	Towel Rail
Brand:	Eastbrook Company
Colour:	Gloss White
Material:	Mild Steel
Height (mm):	600mm
Width (mm):	600mm
Net Weight (kg):	4.67kg
Product Range:	Wendover

### Product Specifications

Warranty:	5 Year(s)
Supplied with fixings:	Yes
BTU $\Delta T50^{\circ}\text{C}$ :	880
BTU $\Delta T60^{\circ}\text{C}$ :	1126
Watts $\Delta T50^{\circ}\text{C}$ :	258
Watts $\Delta T60^{\circ}\text{C}$ :	330

## Drawing

### Wendover Curved 600 x 600mm. Technical Drawing



**Eastbrook**   
Eastbrook Road, Gloucester GL4 3DB  
Technical Helpline : 01452 317890  
Mon - Fri / 8am - 5pm  
Email : [technical@eastbrookco.com](mailto:technical@eastbrookco.com)