

DATASHEET

Image



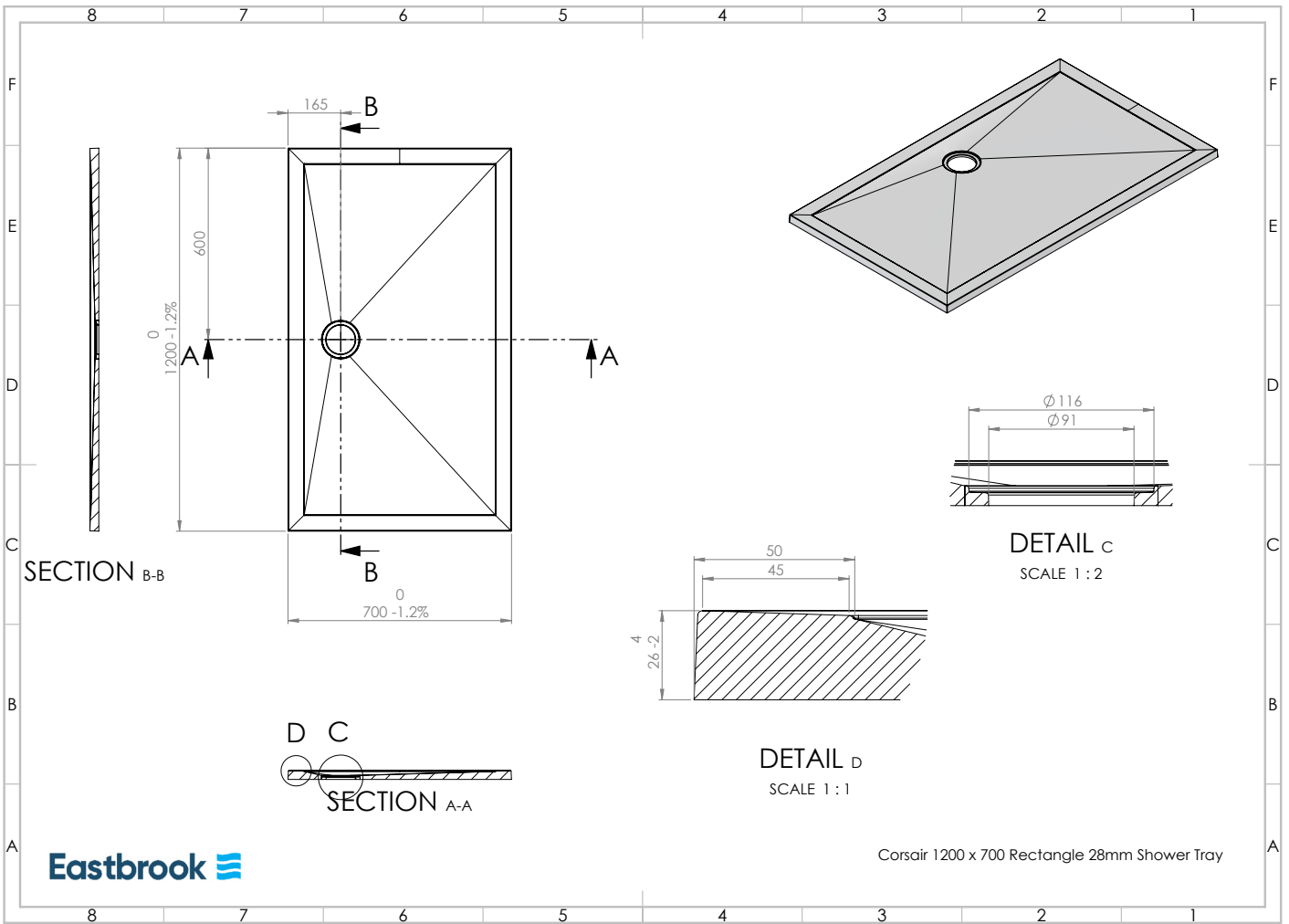
General Information

| | |
|------------------|--|
| Product: | 159.1108 |
| Description: | Corsair 1200 x 700 28mm Shower Tray |
| Website Link: | (Click Here) |
| Product Type: | Rectangular Shower Tray |
| Brand: | Eastbrook Company |
| Colour: | White |
| Material: | Stone resin with UV stable gelcoat surface |
| Height (mm): | 28mm |
| Width (mm): | 700mm |
| Length (mm): | 1200mm |
| Net Weight (kg): | 24kg |
| Product Range: | Corsair |

Product Specifications

| | |
|-----------------|------------|
| Warranty: | 10 Year(s) |
| Waste Included: | No |
| Tray Plan: | B |

Drawing



Corsair 1200 x 700 Rectangle 28mm Shower Tray