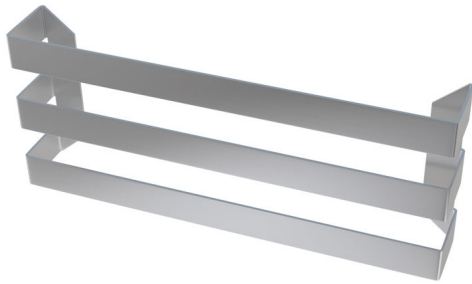


DATASHEET

Image



General Information

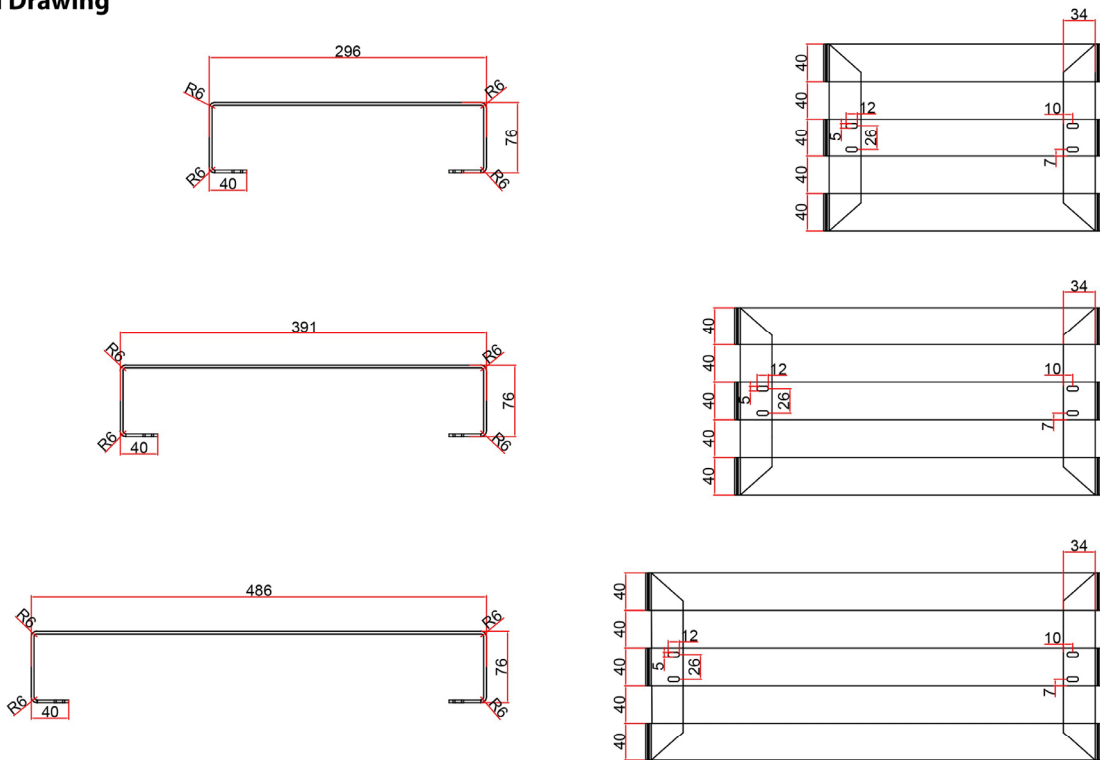
| | |
|------------------|--------------------------------|
| Product: | 101.0050 |
| Description: | Flat Triple Towel Hanger 470mm |
| Website Link: | (Click Here) |
| Product Type: | Towel Hanger |
| Brand: | Eastbrook Company |
| Colour: | Brushed Stainless Steel |
| Material: | Stainless Steel |
| Width (mm): | 486mm |
| Net Weight (kg): | 2.15kg |
| Product Range: | Universal |

Product Specifications

| | |
|------------------------|-----------|
| Warranty: | 1 Year(s) |
| Supplied with fixings: | Yes |

Drawing

Flat Triple Towel Hanger (Stainless Steel) Technical Drawing



Eastbrook 
Eastbrook Road, Gloucester GL4 3DB
Technical Helpline : 01452 317890
Mon - Fri / 8am - 5pm
Email : technical@eastbrookco.com