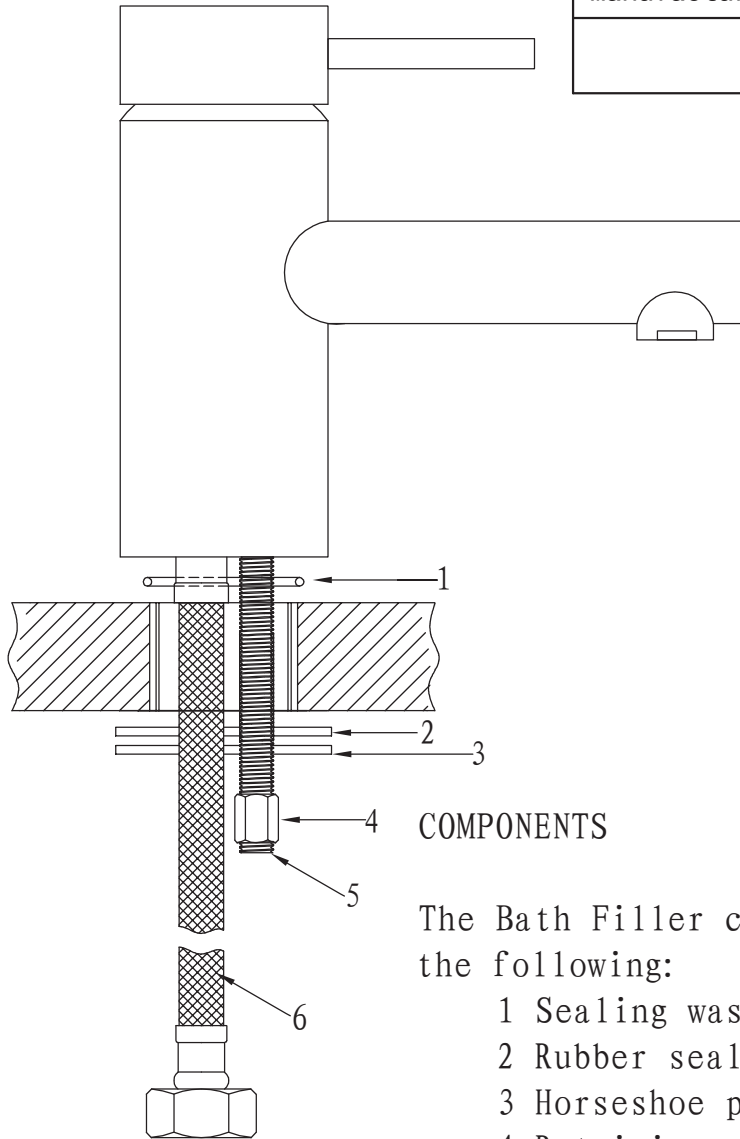


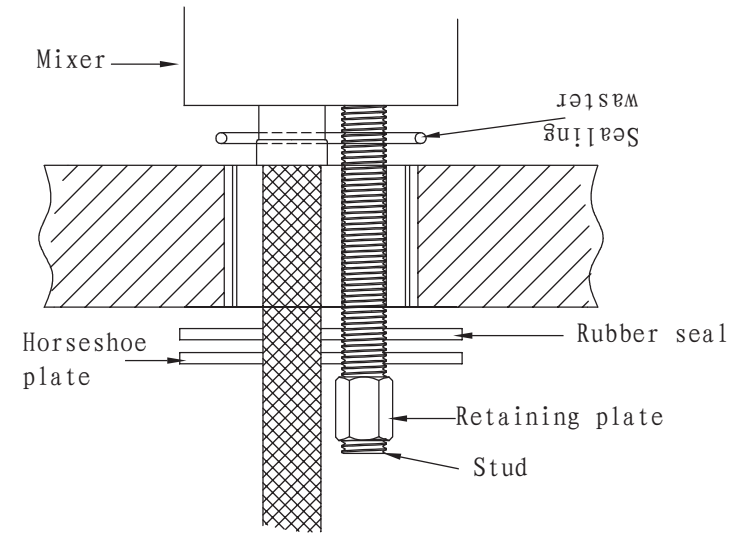
EB Code	56.2027
Manufacturers Code	DI-5026C
Item	Prado 580 Mono Basin Mixer



COMPONENTS

The Bath Filler contains the following:

- 1 Sealing washer
- 2 Rubber seal
- 3 Horseshoe plate
- 4 Retaining nut
- 5 Stud
- 6 Steel braided hoses



INSTALLATION

1. Screw the stud into the hole in the base of the mixer unit and secure.
2. Feed the braided hose through the collar and place the mixer tap assembly in place.

Make sure the mixer tap sits correctly on the monobath.

3. Slide the rubber seal and horseshoe plate over the stud and secure the mixer assembly in place using the nut provided.

Eastbrook

Eastbrook Road, Gloucester GL4 3DB
 Technical Helpline: 01452 317890
 email: technical@eastbrookco.com