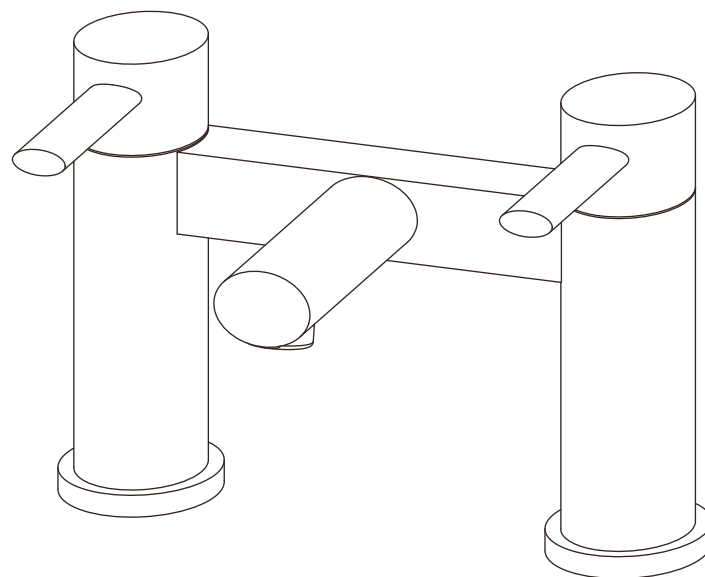


Eastbrook

Eastbrook Road, Gloucester GL4 3DB
Technical Helpline: 01452 317890
email: technical@eastbrookco.com

DOUBLE HANDLES BATHTUB MIXER



Installation/Instruction

56.2043

Cortauld bath filler

Manufacturers Code:50382

COMPONENTS

The mixer set comprises of the following :

- 1 Bath Filler
- 2 Connection sleeve with male screw(2 off)
- 3 Fixing gasket(2 off)
- 4 Fixing nut(2 off)

check that all parts are correct

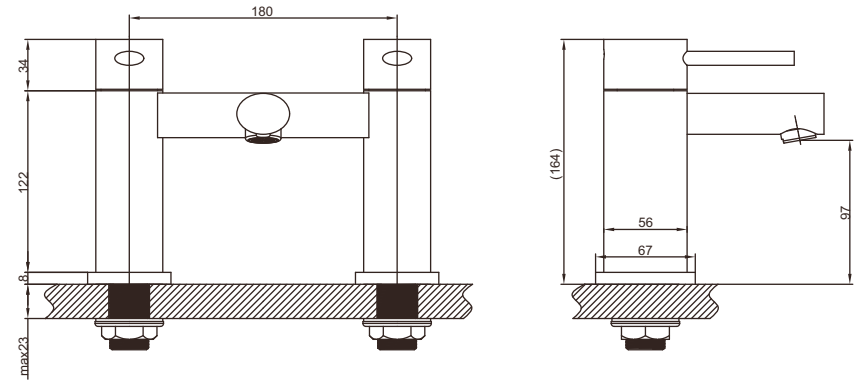
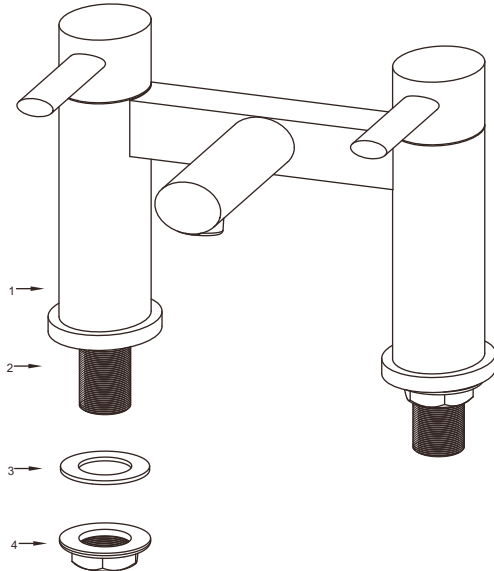


fig. 1

INSTALLATION

Fit the mixer into the bath as shown in fig. 1
Connect the hot and cold supplies to the taps using standard BSP tap connectors (3/4" Diameter)