

EB Code	56.2030
Manufacturers Code	B511-D2C
Item	Diorama bath filler

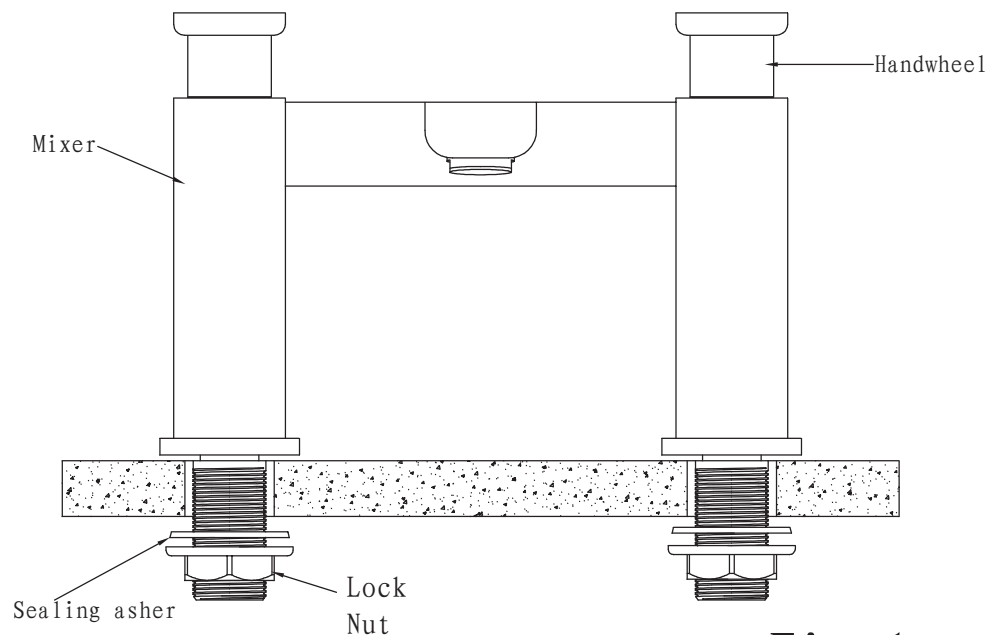


Fig. 1

## COMPONENTS

The mixer set comprises of the following:

- Bath Shower Mixer
- Sealing Washer (2 off)
- Lock nuts (2 off)

Check that all parts are correct.

## INSTALLATION

Fit the mixer into the bath as shown in fig.1.  
Connect the hot and cold supplies to the taps using standard tap connectors (3/4" connectors for mixers).

## LEAKTESTING

Switch on the supplies at the mains. Turn the mixer on and test for leaks in the connections.

## CLEANING

Do not use abrasive or solvent cleaning fluids. The mixer should be cleaned using a soft cloth and warm water. Any stains should be removed using washing up liquid.



Eastbrook Road, Gloucester GL4 3DB  
Technical Helpline: 01452 317890  
email: [technical@eastbrookco.com](mailto:technical@eastbrookco.com)