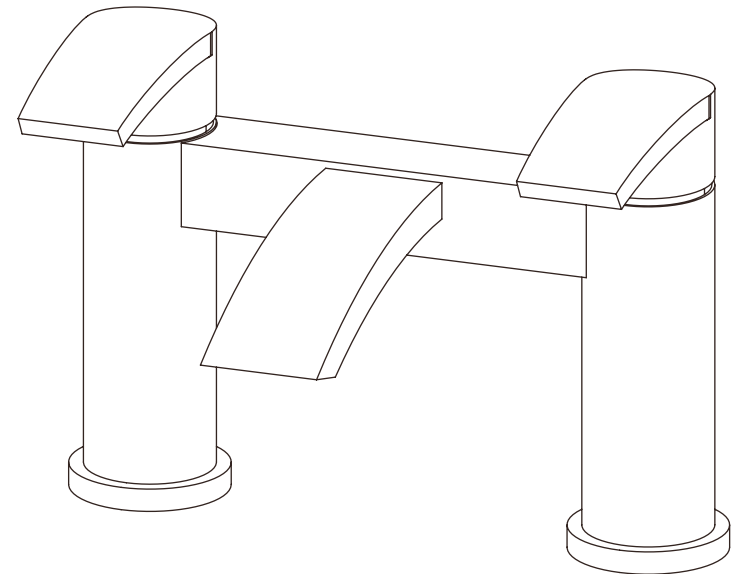


# DOUBLE HANDLES BATHTUB MIXER



## Installation/Instruction

**Eastbrook**

Eastbrook Road, Gloucester GL4 3DB  
Technical Helpline: 01452 317890  
email: [technical@eastbrookco.com](mailto:technical@eastbrookco.com)

56.2038

Estorick bath filler

Manufacturers Code:51582

## COMPONENTS

The mixer set comprises of the following :

1 Bath Filler

2 Connection sleeve with male screw(2 off)

3 Fixing gasket(2 off)

4 Fixing nut(2 off)

check that all parts are correct

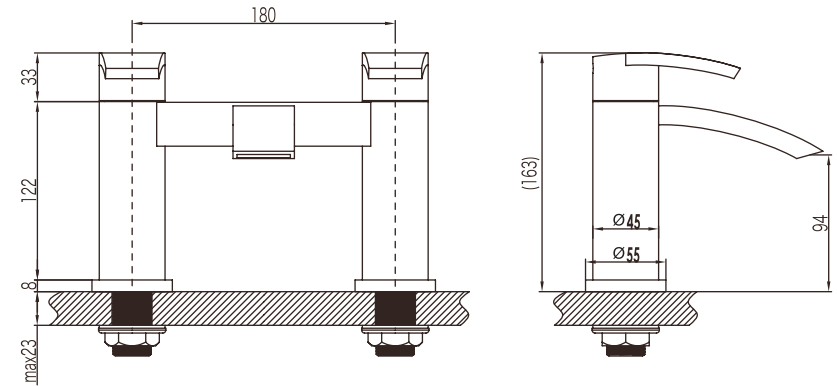
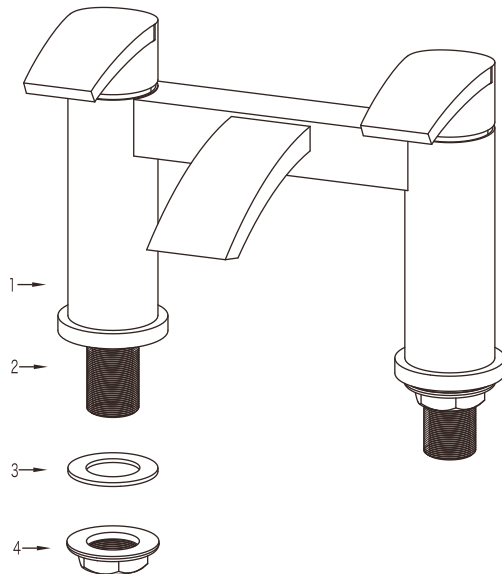


fig. 1



## INSTALLATION

Fit the mixer into the bath as shown in fig. 1  
Connect the hot and cold supplies to the taps using standard BSP tap connectors (3/4" Diameter)