

COMPONENTS

The mixer set comprises of the following:

- Bath Shower Mixer
- Connection sleeve with male screw (2 off)
- Fixing gasket (2 off)
- Fixing nut (2 off)
- Flexible Hose

check that all parts are correct

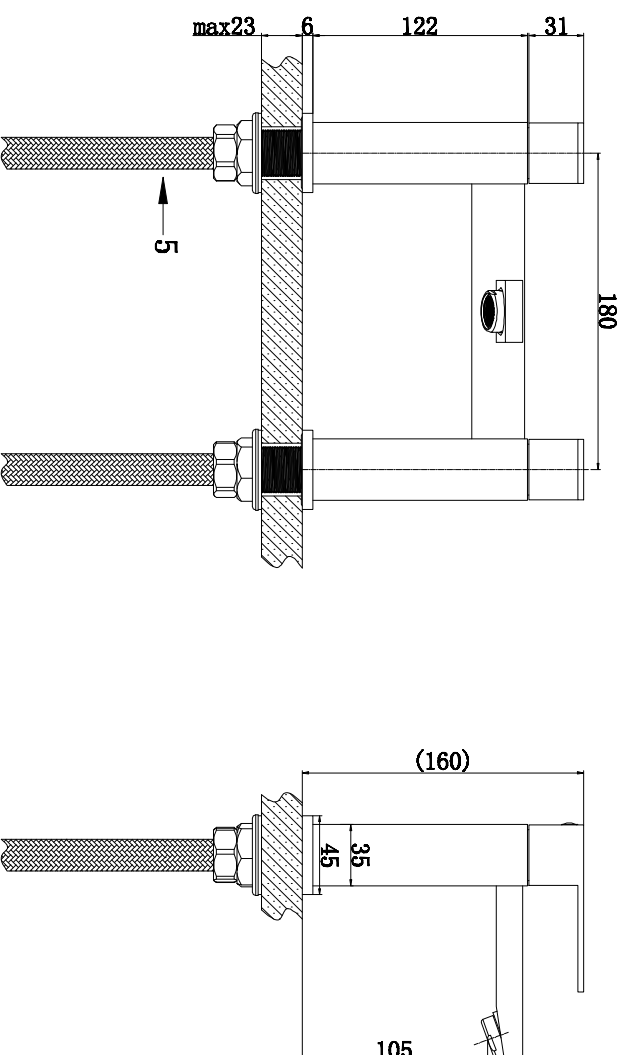
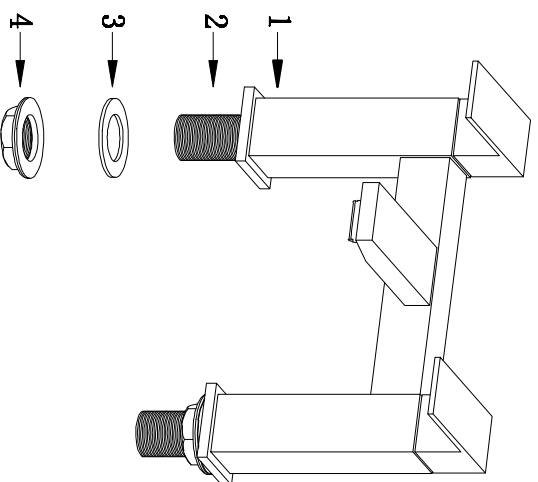


fig. 1

INSTALLATION

Bath tub mixer installed onto bathtub as per drawing fig 1.

Connect the hot and cold supplies to the taps using standard BSP tap connectors (3/4" Flexible Hose).