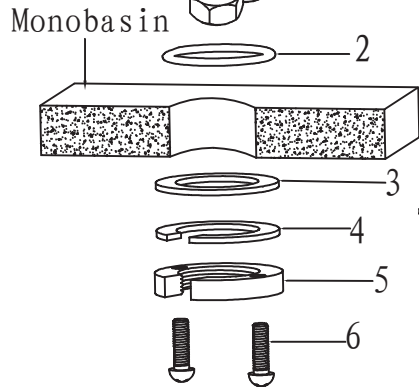
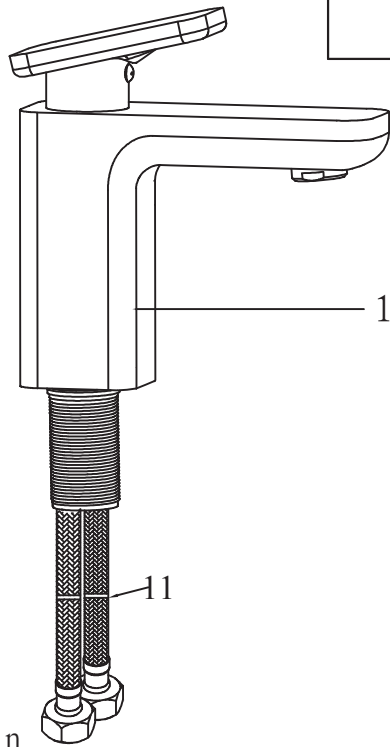


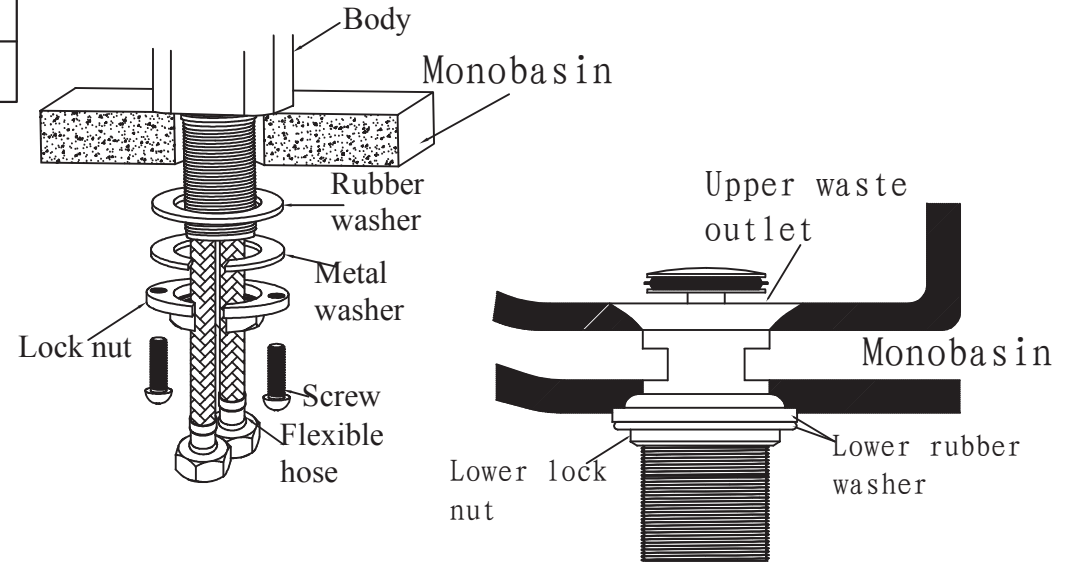
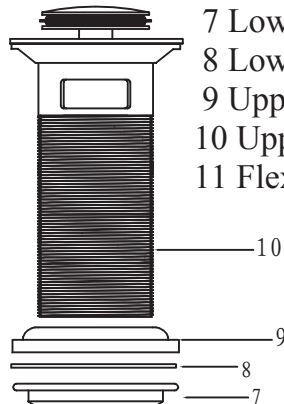
EB Code	56.2056
Manufacturers Code	AF-5221C
Item	Winchcombe Basin Mono



### COMPONENTS

The basin mixer contains the following:

- 1 Body
- 2 O-ring
- 3 Rubber washer
- 4 Metal washer
- 5 Lock nut
- 6 Screw
- 7 Lower lock nut
- 8 Lower rubber washer
- 9 Upper rubber washer
- 10 Upper waste outlet
- 11 Flexible hose



### INSTALLATION

1. Through the O-ring into the flexible hose of the body underside, put the body into the hole.
2. Put the rubber washer into the flexible hose, and use the metal washer and lock nut to screw the body. after that screw off the screws.

### Fitting the waste unit

Unscrew the upper rubber washer, lower rubber washer and lower lock nut. Put the upper waste outlet into the monobasin.

After that, screw the upper rubber washer and lower rubber washer into the upper waste outlet, screw off the lower lock nut to fix the upper waste outlet.



Eastbrook Road, Gloucester GL4 3DB  
 Technical Helpline: 01452 317890  
 email: technical@eastbrookco.com