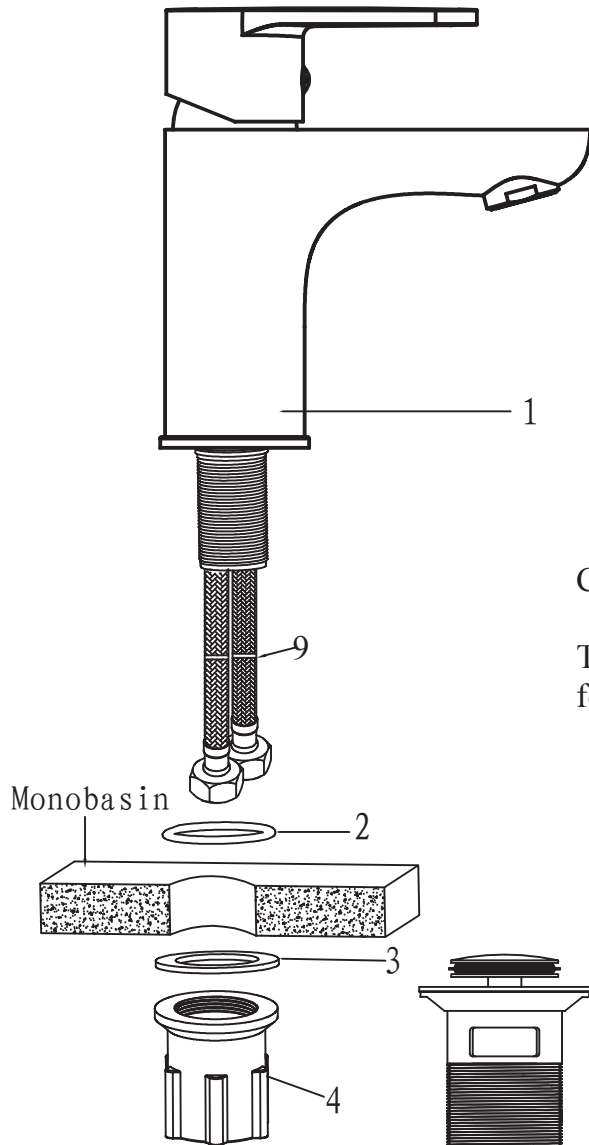


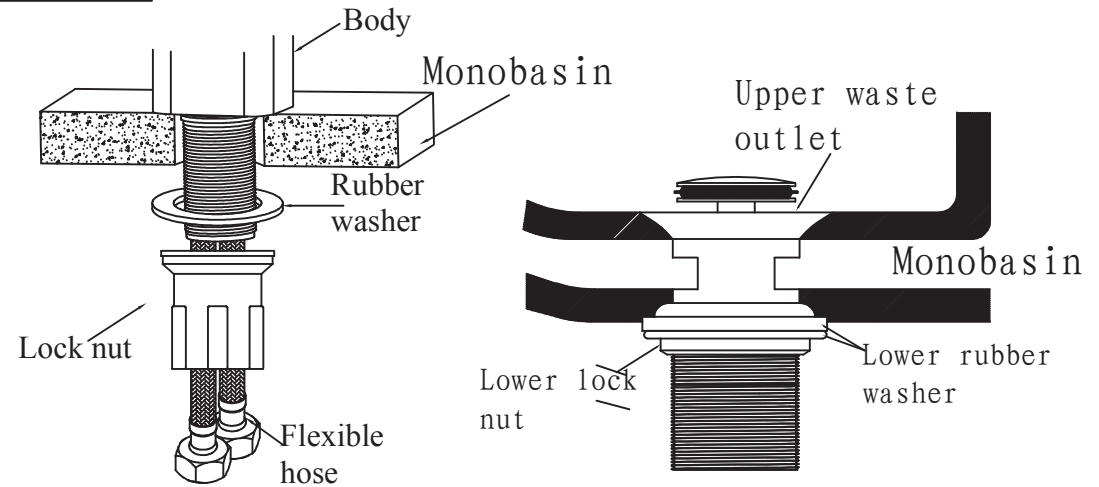
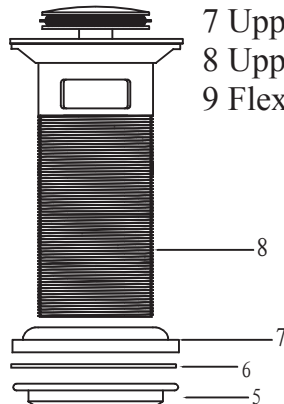
EB Code	56.2070
Manufacturers Code	AL-5507C
Item	Palma Mono Basin



COMPONENTS

The basin mixer contains the following:

- 1 Body
- 2 O-ring
- 3 Rubber washer
- 4 Lock nut
- 5 Lower lock nut
- 6 Lower rubber washer
- 7 Upper rubber washer
- 8 Upper waste outlet
- 9 Flexible hose



INSTALLATION

1. Through the O-ring into the flexible hose of the body underside, put the body into the hole.
2. Through the rubber washer into the flexible hose, and use the lock nut to screw the body.

Fitting the waste unit

Unscrew the upper rubber washer, lower rubber washer and lower lock nut. Put the upper waste outlet into the monobasin.

After that, screw the upper rubber washer and lower rubber washer into the upper waste outlet, screw off the lower lock nut to fix the upper waste outlet.



Eastbrook Road, Gloucester GL4 3DB
 Technical Helpline: 01452 317890
 email: technical@eastbrookco.com