

## CONGRATULATIONS

You are the proud owner of an exclusive Kelmscott Aluminium Radiator which has been specially produced by our craftsmen who would wish you to enjoy many years of satisfaction from it.

## INSTALLATION

This product must be installed by a fully qualified engineer.

- Please consider using an Eastbrook Valve Set – this will ensure that your radiator looks its best with matching radiator valves.
- On commissioning, flush the central heating system thoroughly using a proprietary solution to ensure that aggressive substances such as fluxes and manufacturing residue, from which internal surfaces of your radiator can sustain irreparable damage – are removed. An appropriately approved corrosion inhibitor **must** be subsequently added to the heating system in order to protect the radiator and other parts of the central heating system to promote extended operating lifespan.

## MAINTENANCE

- From time to time it is advisable to clean your towel rail with a warm damp cloth. Never use any form of abrasive cleaner or chemical.
- Corrosion inhibitor must also be regularly maintained, please consult your engineer for details.

## IMPORTANT

Kelmscott Aluminium Radiators are not suitable for use on direct central heating systems. Please consult your engineer or supplier.

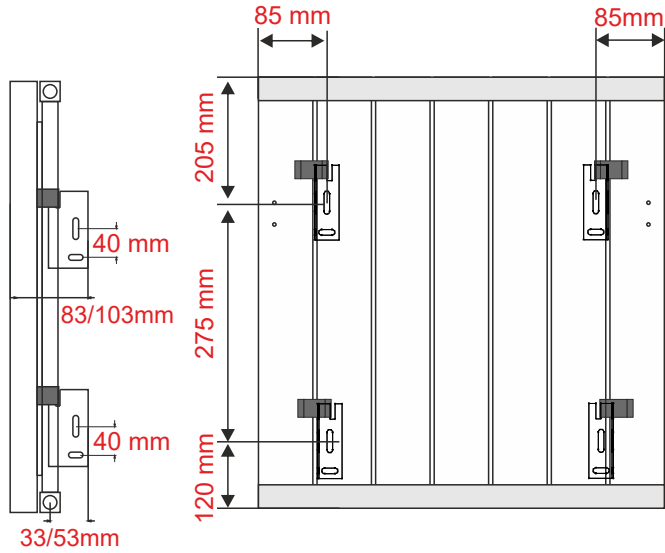
## WARRANTY

Your Kelmscott Aluminium Radiator is fully warranted for five years in respect of defective materials and workmanship and subject to installation being carried out by a qualified engineer in accordance with good practice and corrosion inhibitors being regularly maintained.

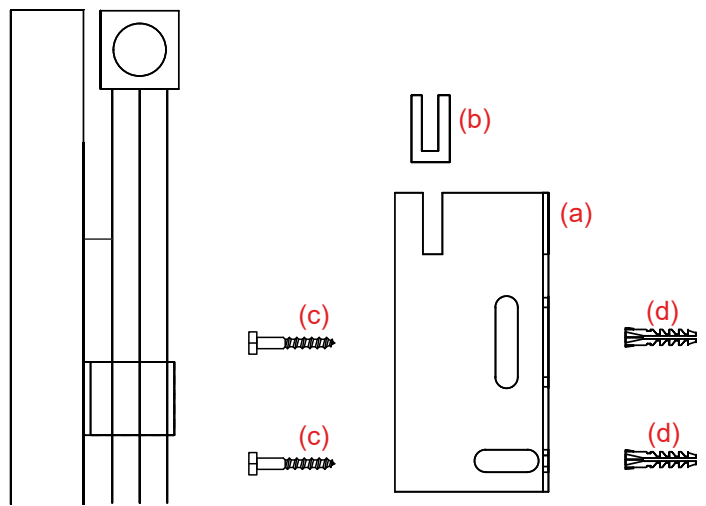
**REMEMBER** ..... Excellence is worth looking after.

Wall Fixing Set includes;	
4	Bracket (a)
4	Plastic buffer (b)
8	Wall Screw (c)
8	Wall Plug (d)
1	Flow Diverter (e)

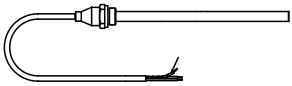
Bleed valve & blanking plug come installed on the radiator.



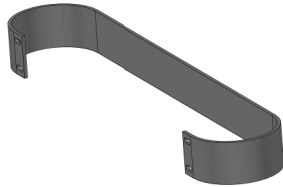
\*600mm height radiators have one hanger fixing position located 150mm from the top of the radiator.



### Heating element

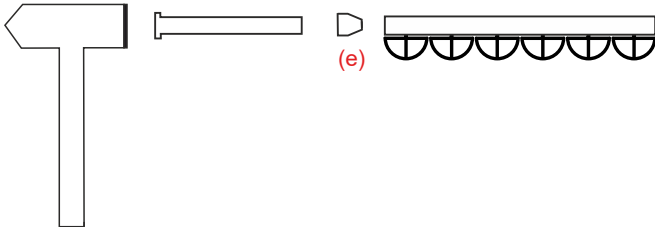


### Towel Hanger



Heating Element and Towel Hanger sold separately

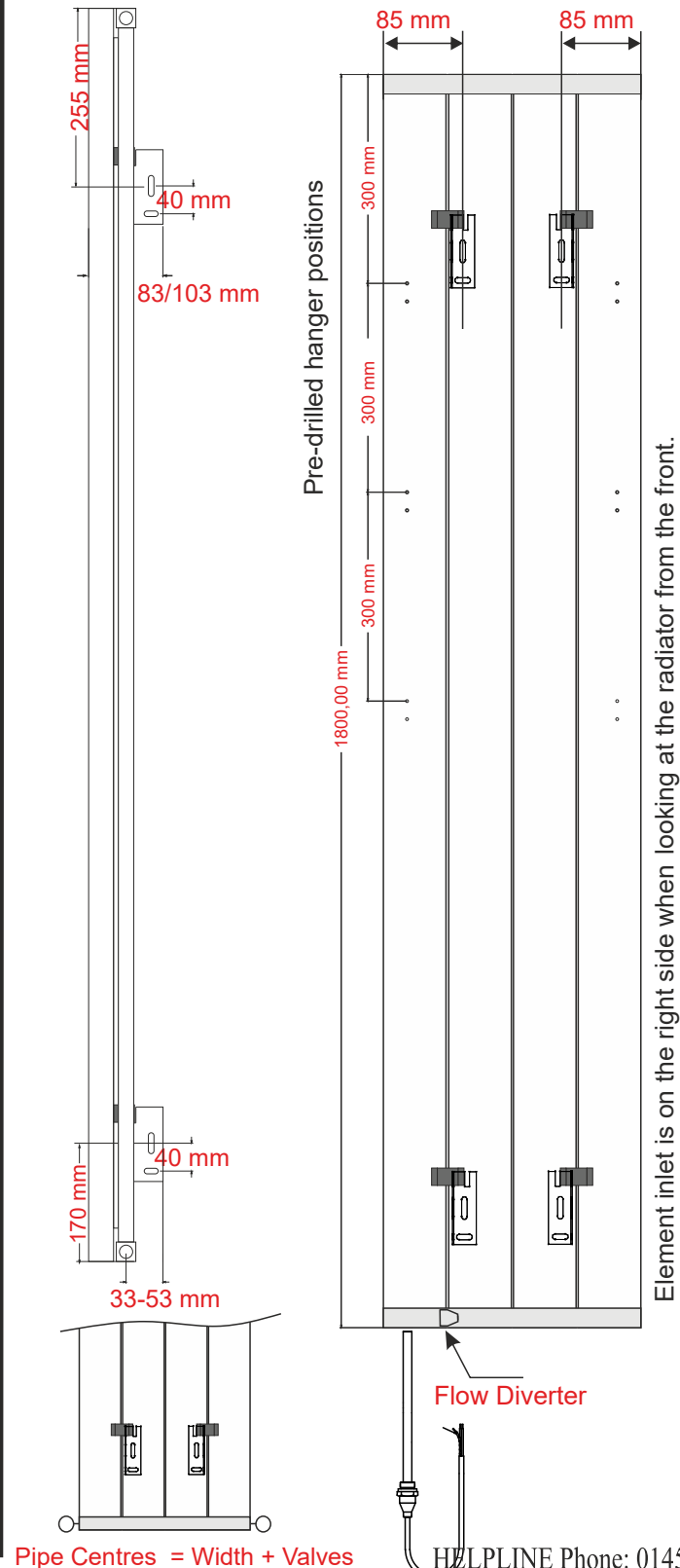
### How to install Flow Diverter



\*Diverter should be installed into the flowside of the radiator.

Profile Quantity of radiator	Install the flow diverter
4,5,6,7	Between the first and second profile
9,12,15,17	Between the second and third profile

Profile Quantity	4	5	6	7	9	12	15	17
W (mm)	275	345	415	485	625	835	1045	1185



Element inlet is on the right side when looking at the radiator from the front.

Pipe Centres = Width + Valves

HELPLINE Phone: 01452 317890

HELPLINE email: technical@eastbrookco.com