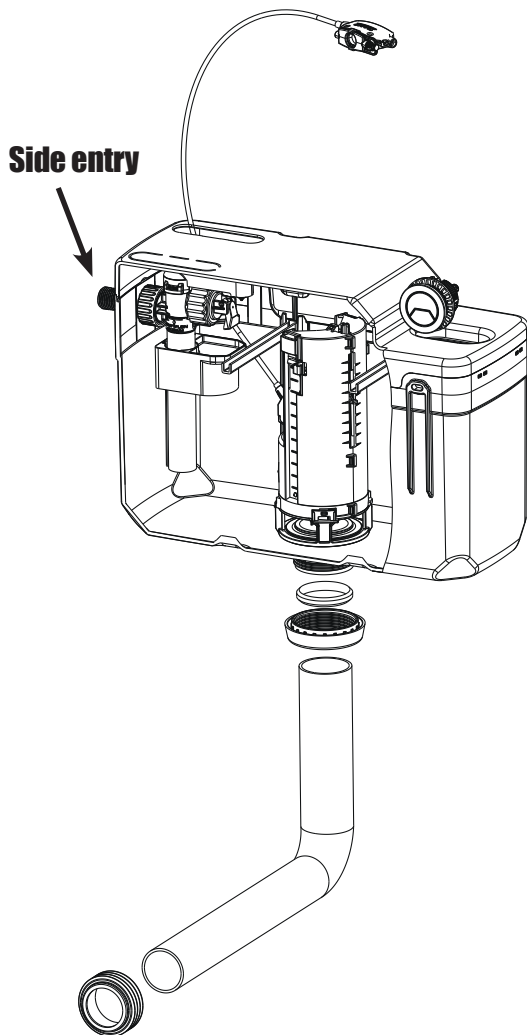
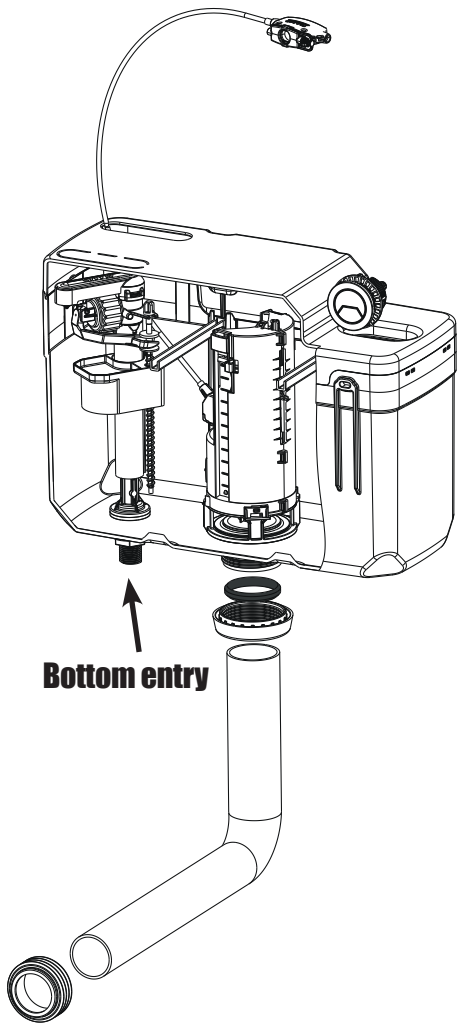


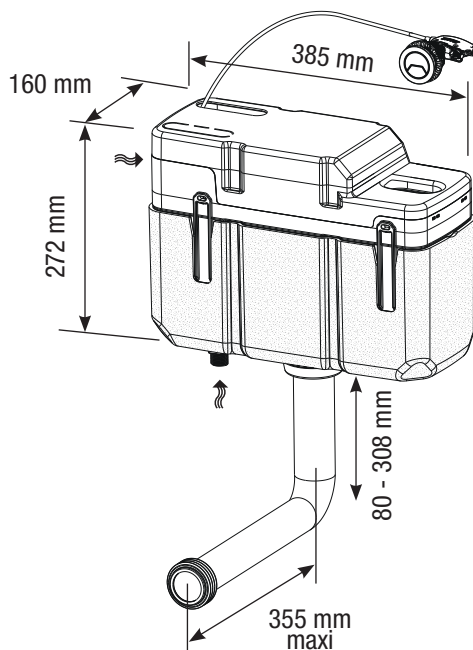
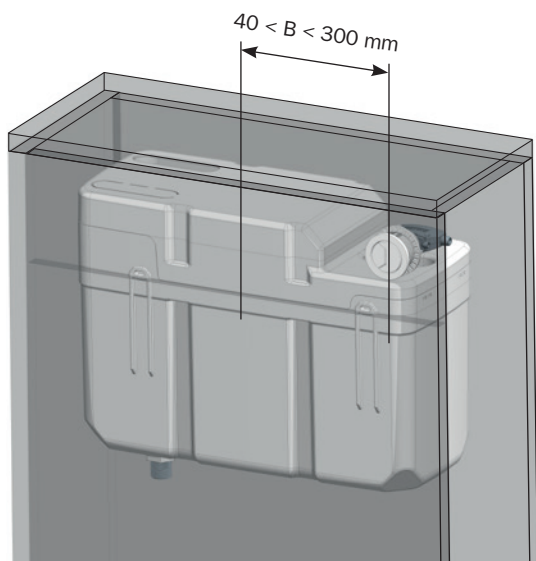
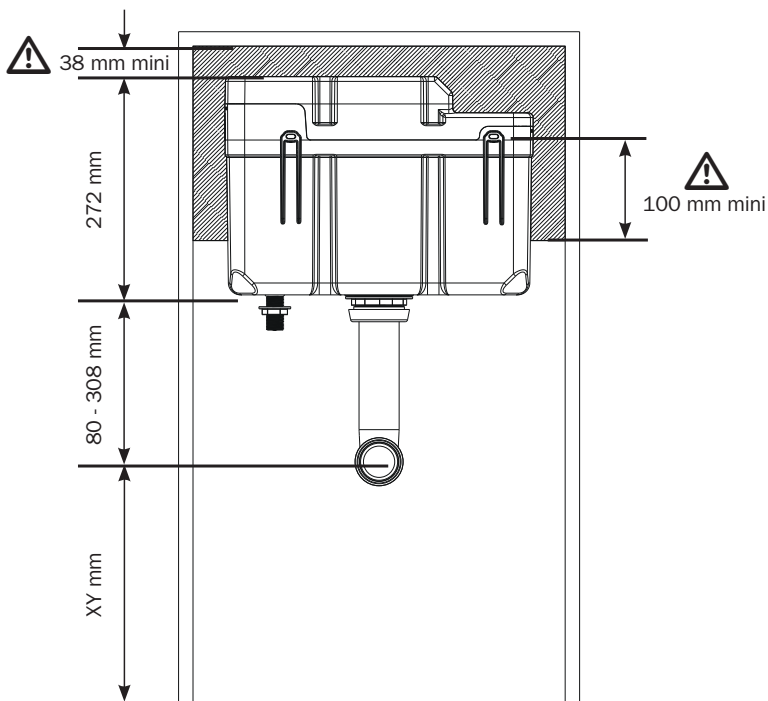
## INTRA COMFORT - CONCEALED CISTERN

ASSEMBLY INSTRUCTION

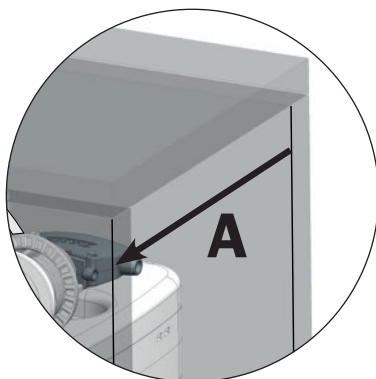
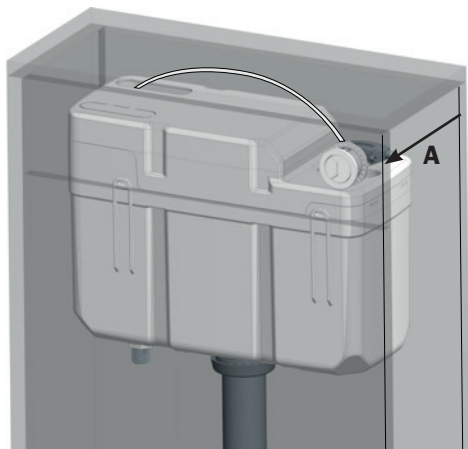
# EXPLODED VIEWS



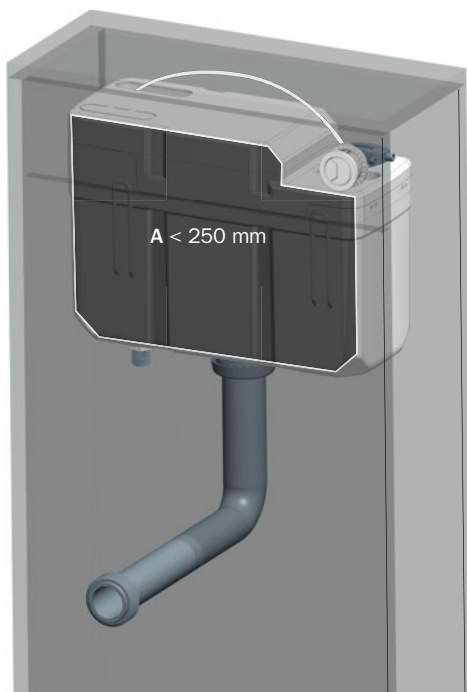
# DIMENSIONS



## CISTERN + PUSHBUTTON OVERLAYING

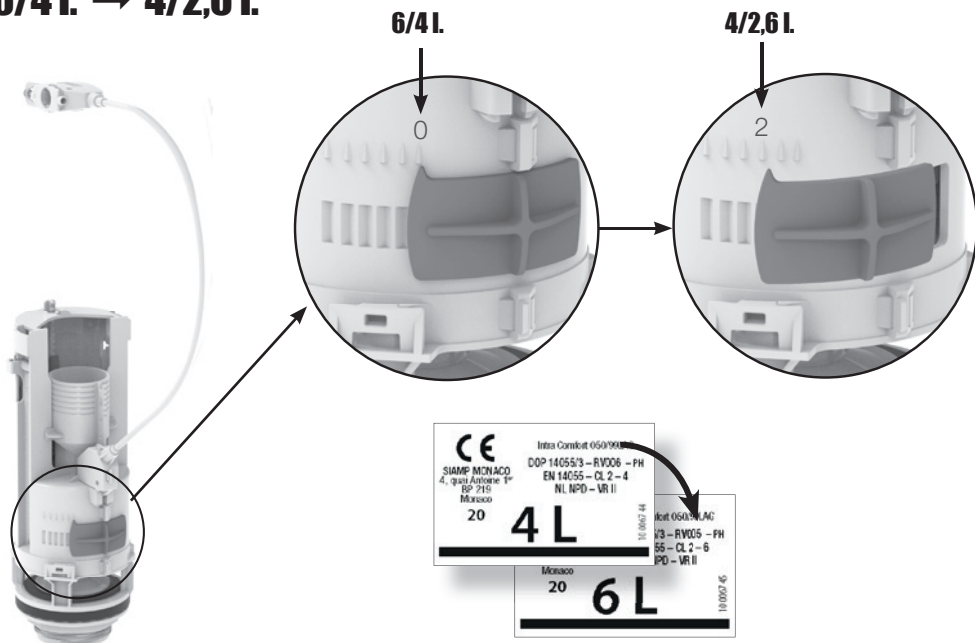


**PUSHBUTTON CANNOT BE INSTALLED OVER THE CISTERN IF  $A < 250$  mm**



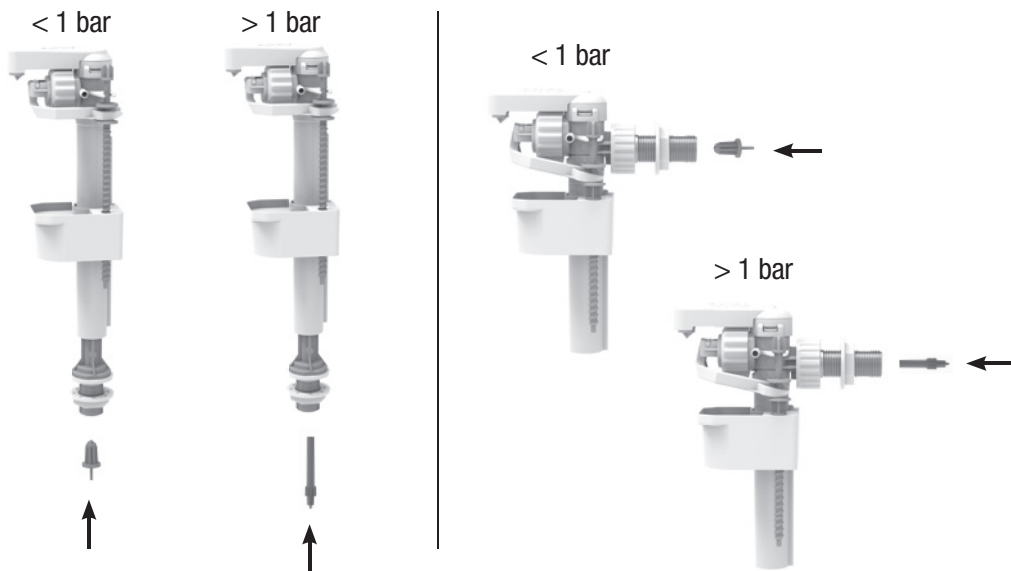
# FLUSH VOLUMES ADJUSTMENT

6/4 L. → 4/2,6 L.



# WATER NETWORK PRESSURE

**⚠ 10 bars MAX**



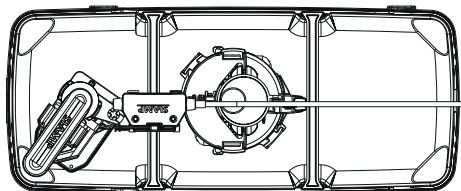
# FITTINGS ORIENTATION



OUTLET VALVE ORIENTATION MUST BE AS DESCRIBED HEREBELOW  
OUTLET VALVE CABLE MUST NOT TOUCH INLET VALVE OR CISTERN BODY

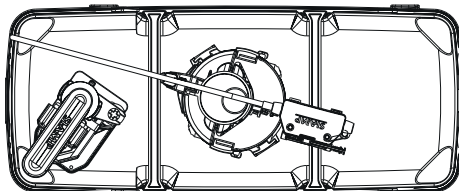
## BOTTOM ENTRY LEFT

Left pushbutton



Front

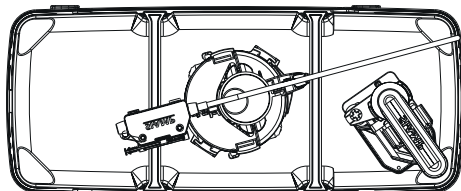
Right pushbutton



Front

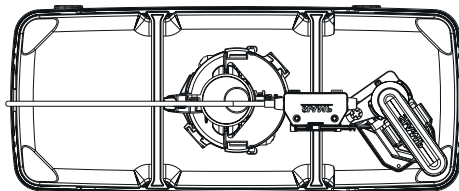
## BOTTOM ENTRY RIGHT

Left pushbutton



Front

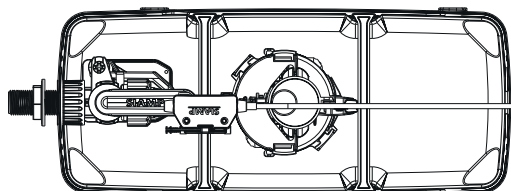
Right pushbutton



Front

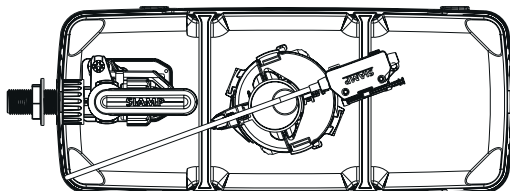
## SIDE ENTRY LEFT

Left pushbutton



Front

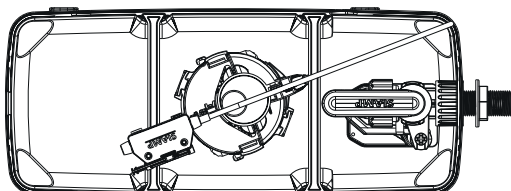
Right pushbutton



Front

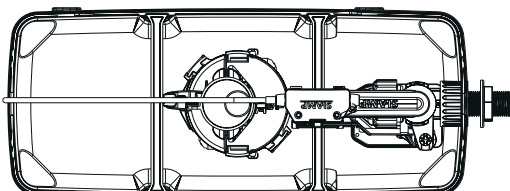
## SIDE ENTRY RIGHT

Left pushbutton



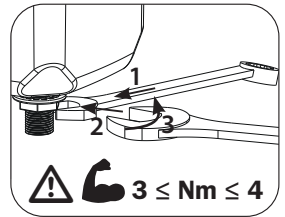
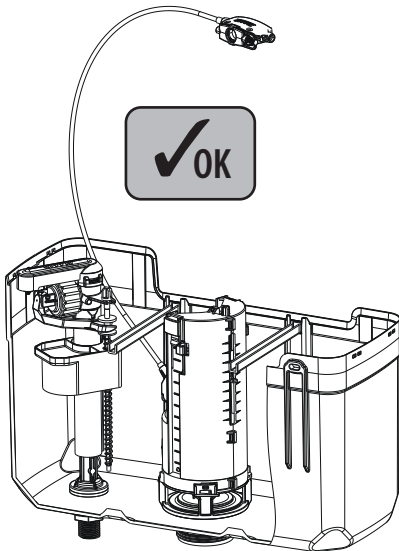
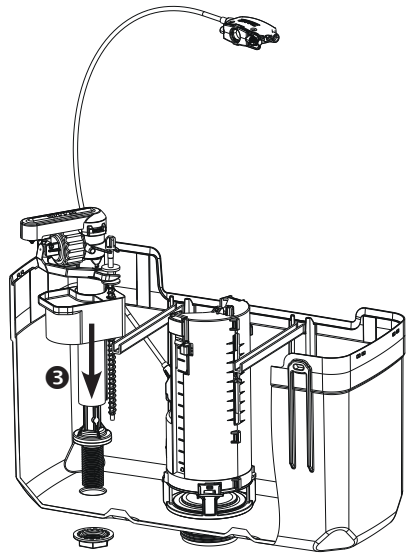
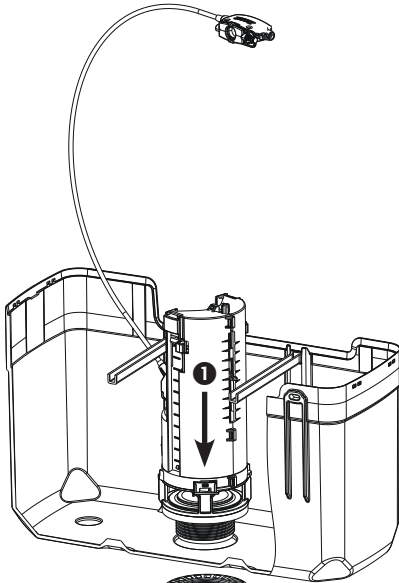
Front

Right pushbutton



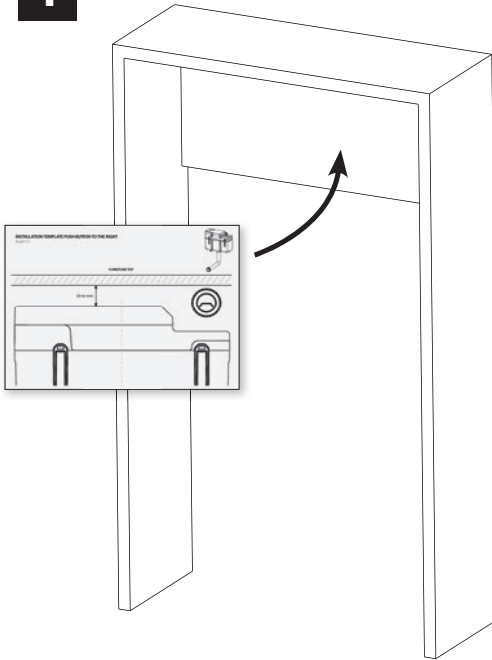
Front

# ASSEMBLY

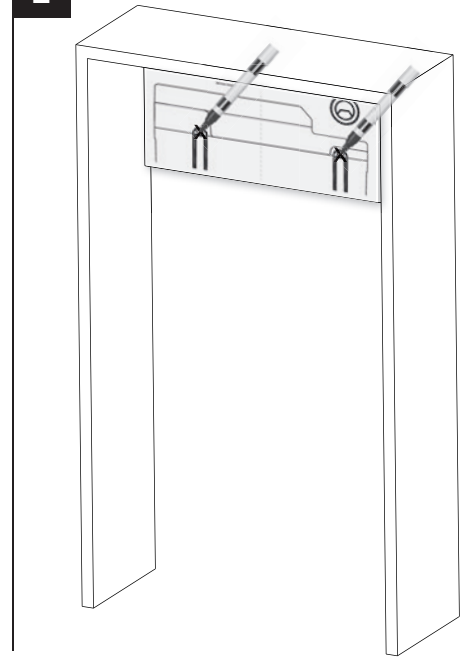


# MARKING & DRILLING

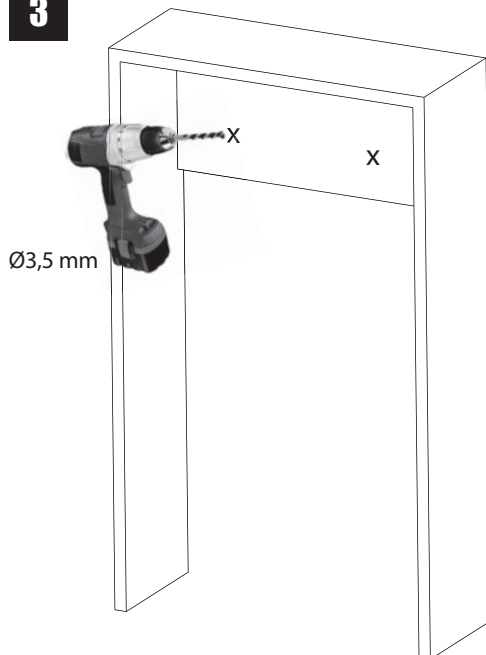
1



2

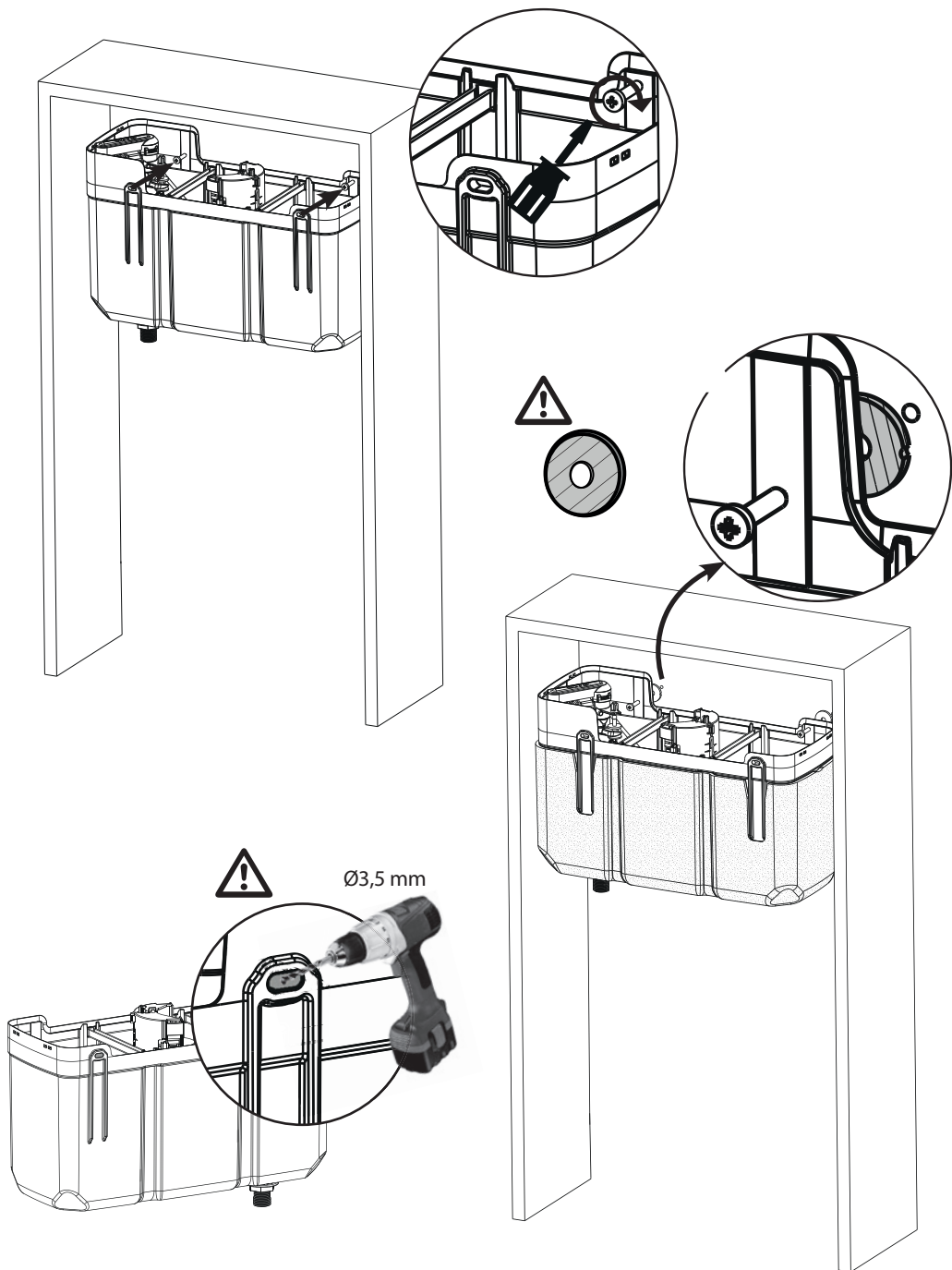


3

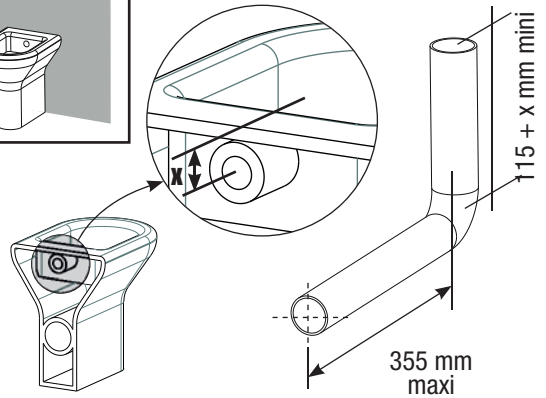
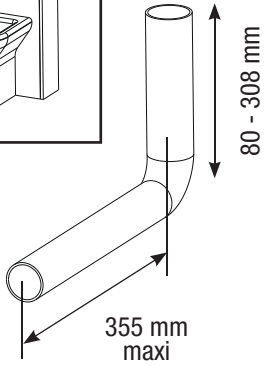
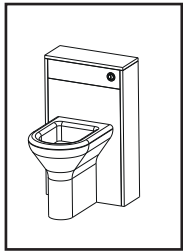




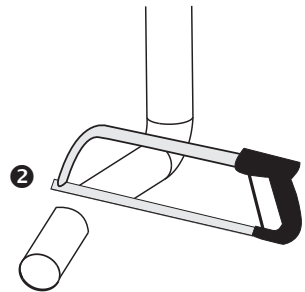
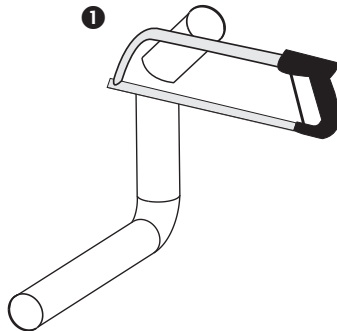
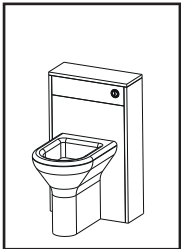
# FIXATION



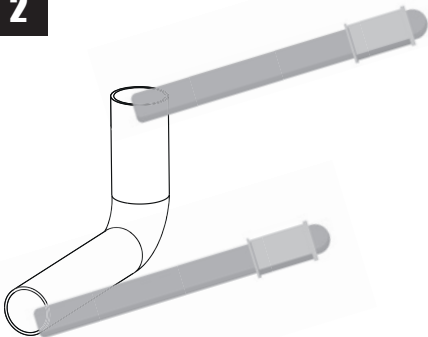
# SUPPLY PIPE ADJUSTMENT



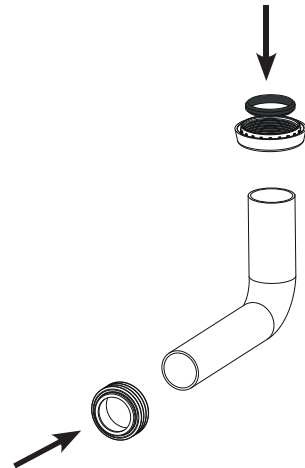
**1**



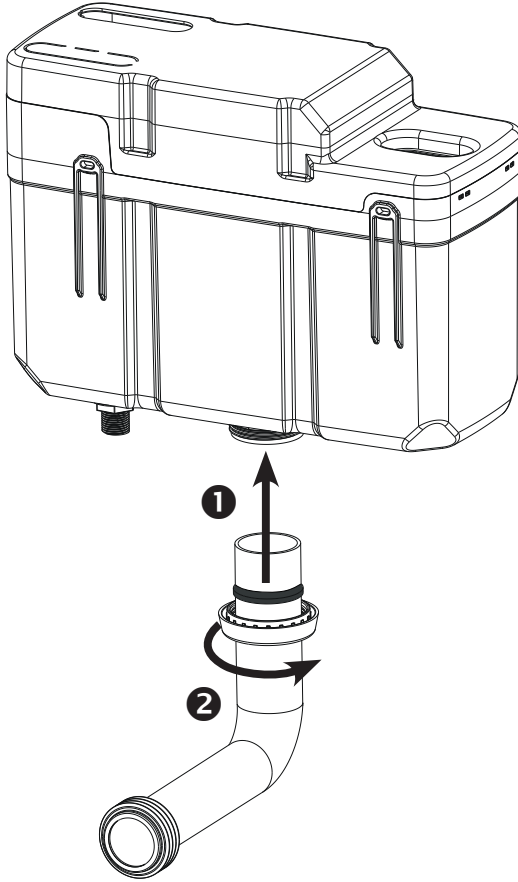
**2**



**3**

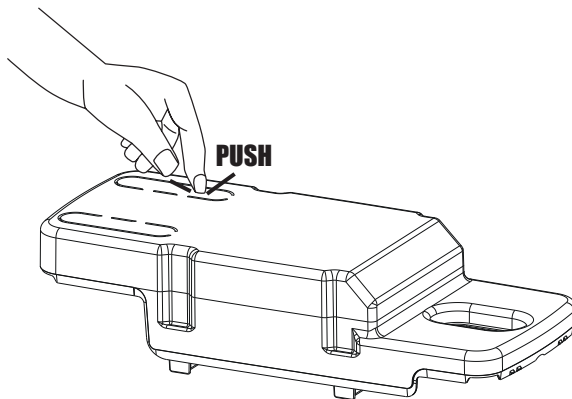


# SUPPLY PIPE INSTALLATION

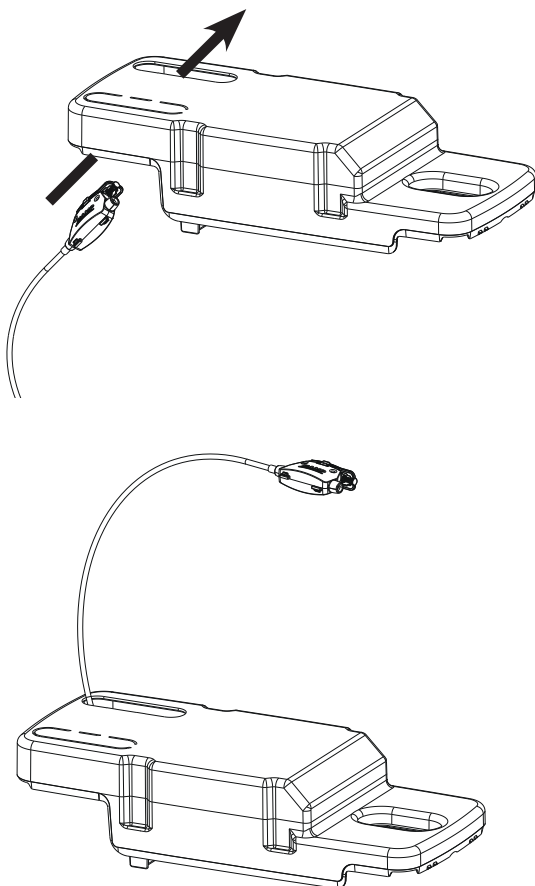


# CISTERN LID INSTALLATION

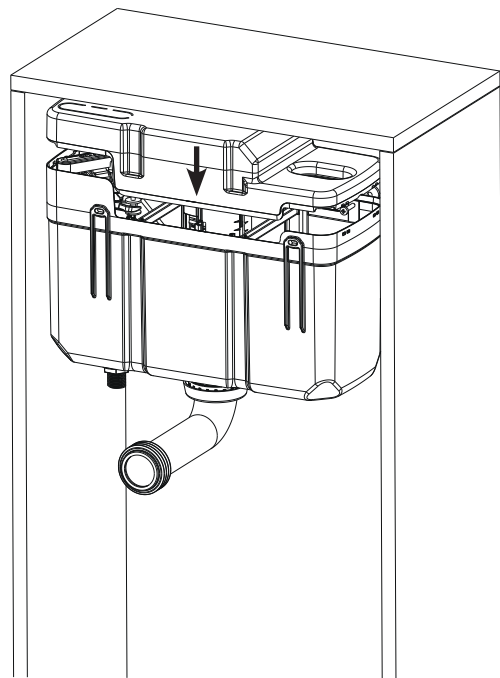
1



2



3



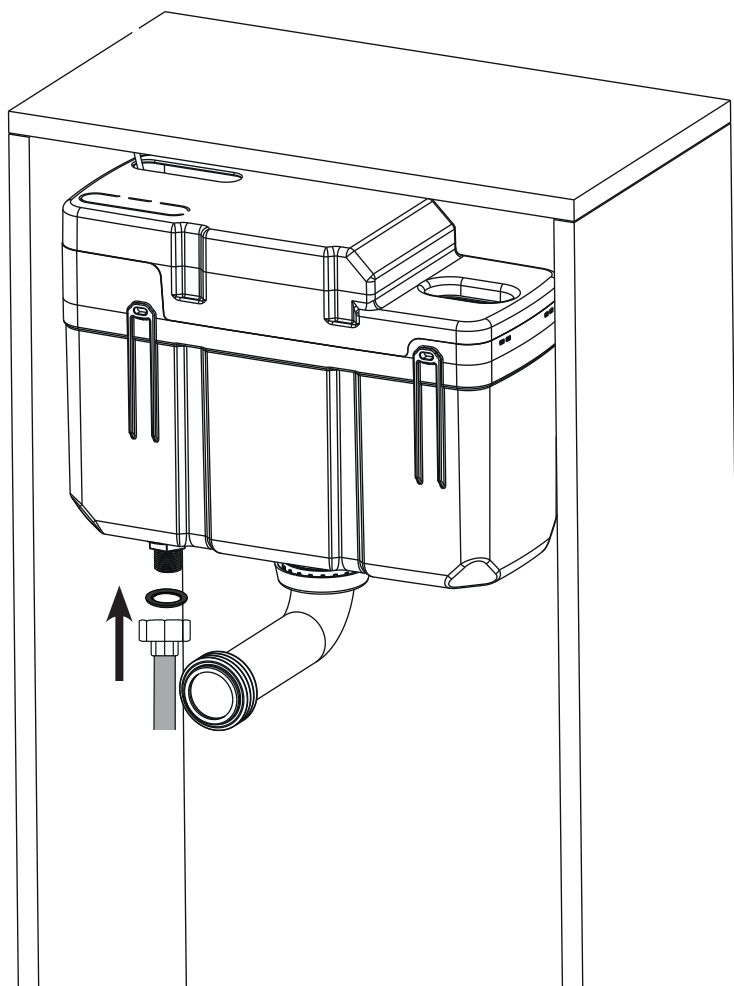
# WATER NETWORK CONNEXION

**For water supply connection: ensure tightness of connection to cistern with filter gasket.**

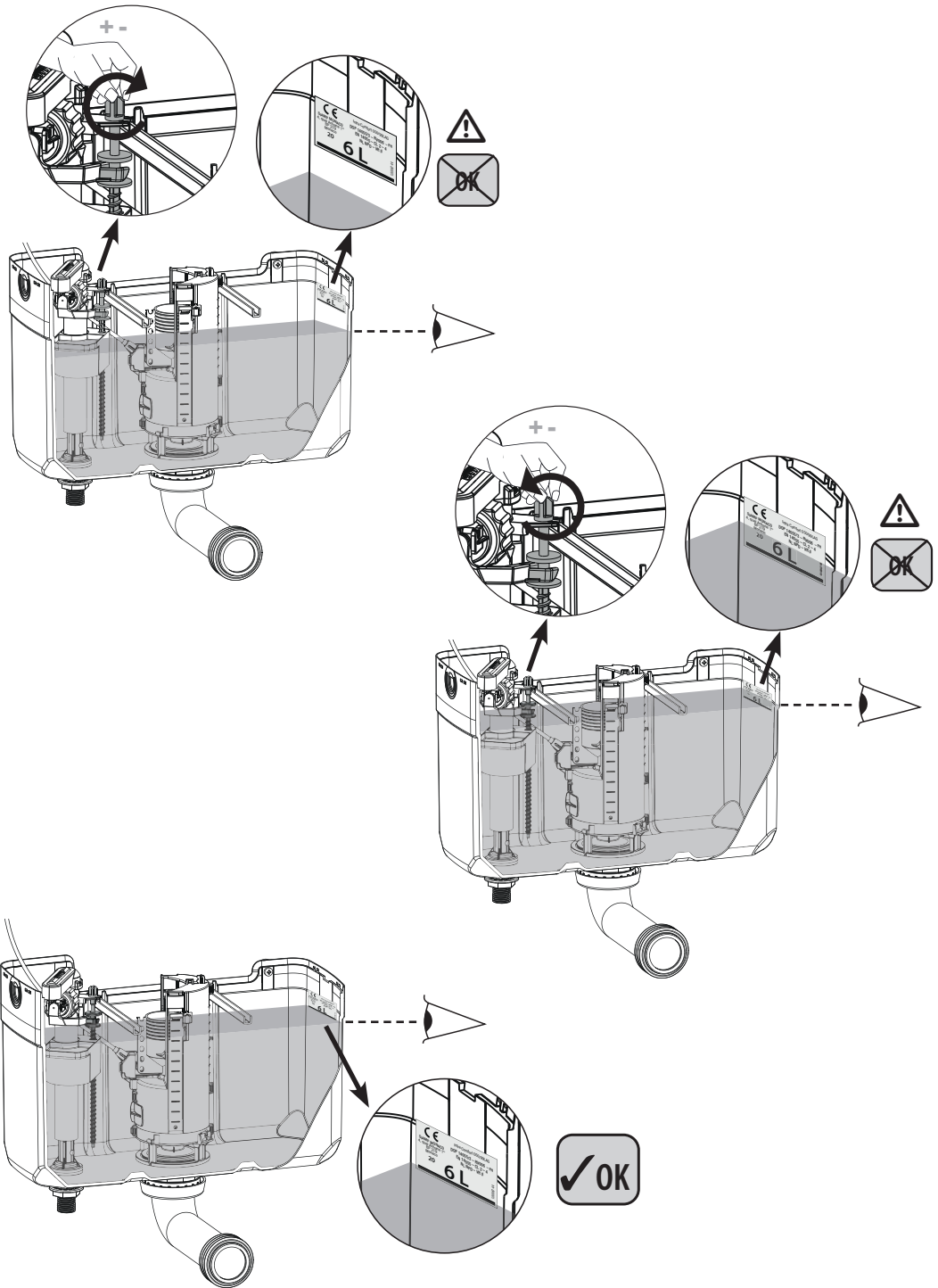
**WARNINGS:**

- 1 - Do not overtight in any case.
- 2 - Do not use any sealing paste and/or compound in any case.

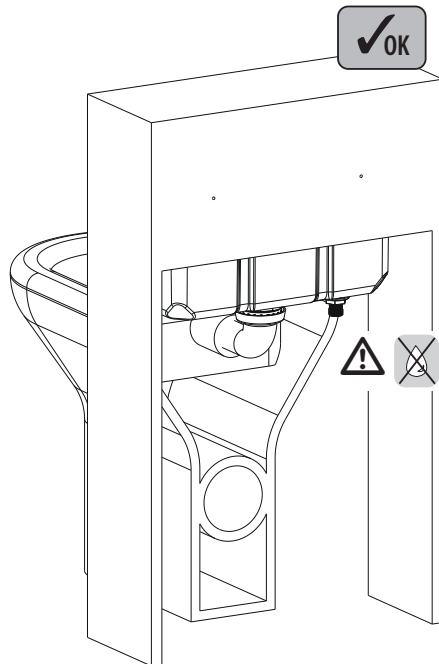
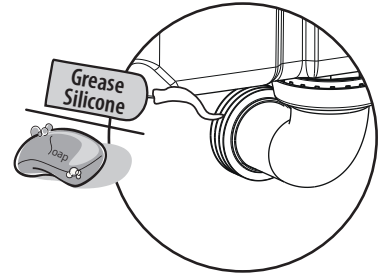
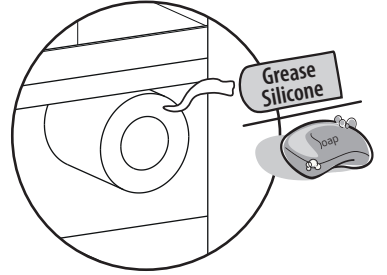
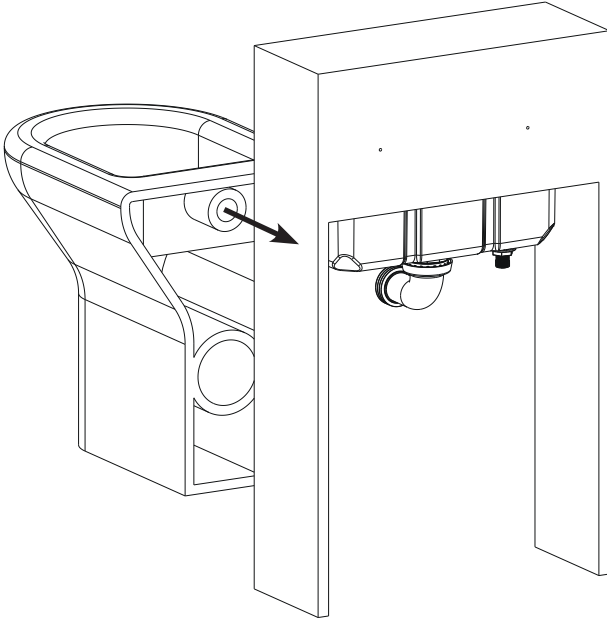
**SIAMP will be not responsible in case these warnings are not respected.**



# WATER LEVEL ADJUSTMENT



# WC PAN COUPLING

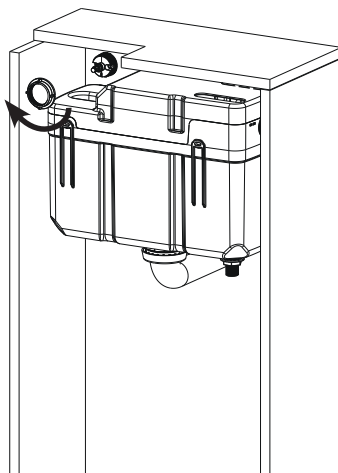


# PUSH BUTTON INSTALLATION

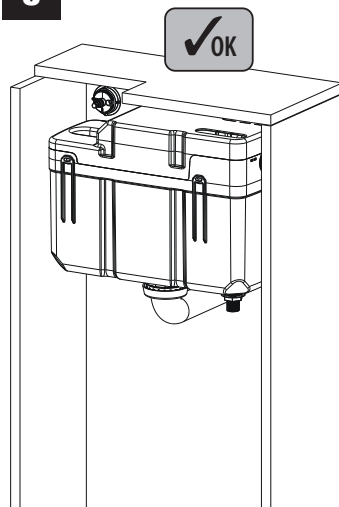
1



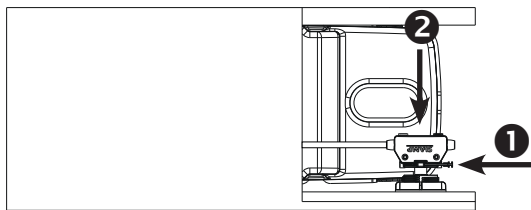
2



3



4



5



You have just installed a concealed cistern for furniture and back to wall DUAL FLOW by SIAMP and we would like to thank you for your confidence in our products.

As expert in technical equipment and accessories for the toilet, SIAMP has taken every possible measure to apply all the necessary care to the design and production of this product, offering a ten-year guarantee except for rubber parts and manpower.

For any complementary information, or indicated claim, please contact:

# SIAMP

Siamp Ltd, Unit 7, S:Park Business Park, Hamilton Way,  
Stockport, Cheshire, SK1 2AE  
T: 0161 681 2120 / F: 0161 681 2130 / W: [www.siamp.co.uk](http://www.siamp.co.uk)  
Enquiries : [info@siamp.co.uk](mailto:info@siamp.co.uk) / Technical support : [aftersales@siamp.co.uk](mailto:aftersales@siamp.co.uk)