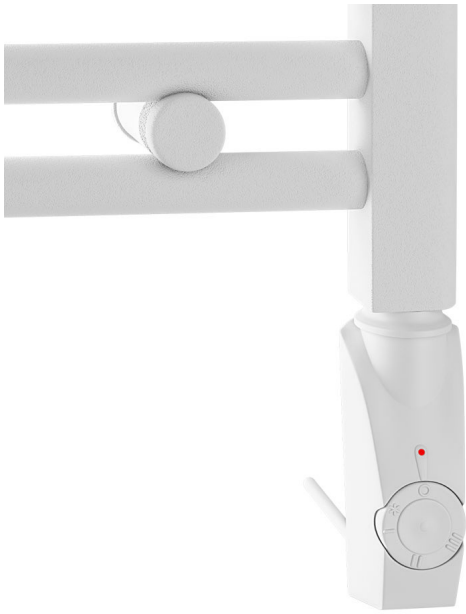


## DATASHEET

### Image



### General Information

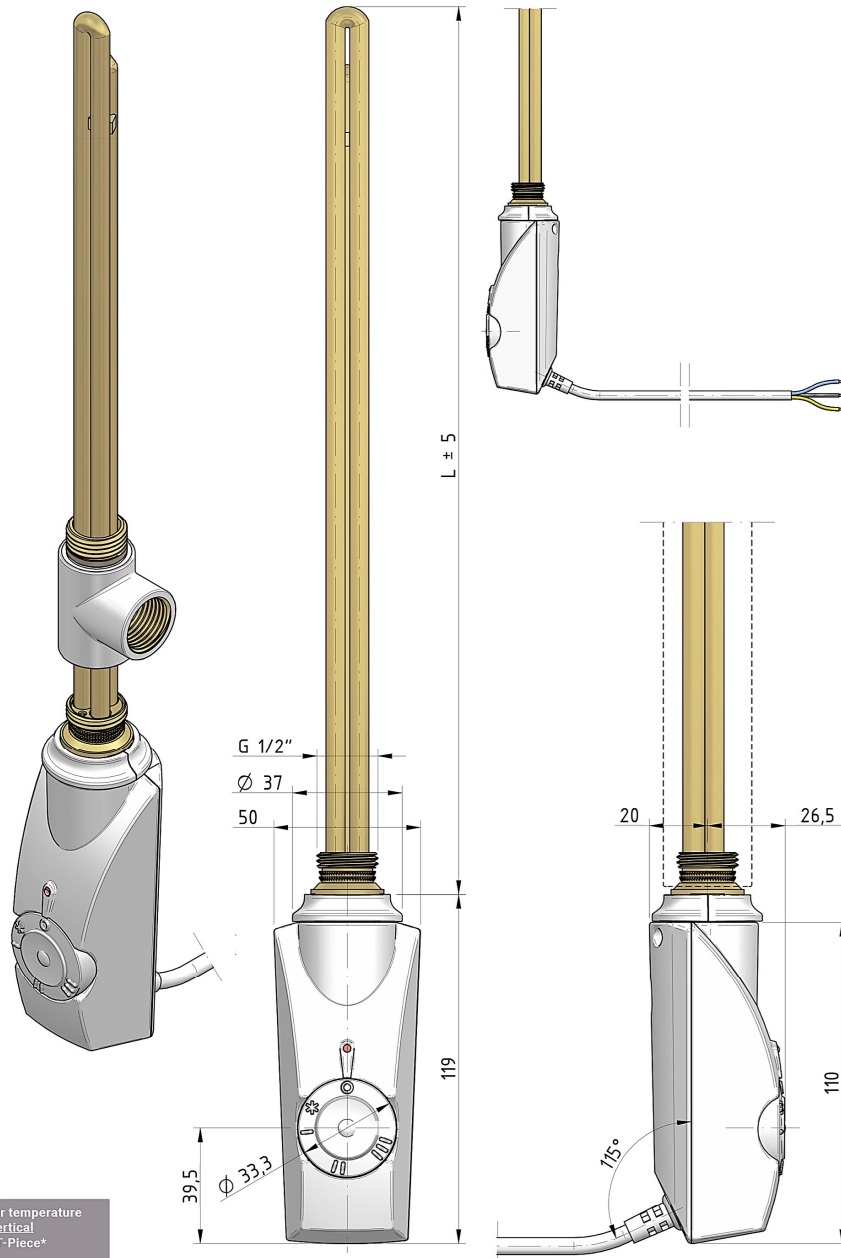
Product:	8.328
Description:	Type D Element with Boost 900W
Website Link:	<a href="#">(Click Here)</a>
Product Type:	Heating Element
Brand:	Eastbrook Company
Colour:	Matt White
Material:	
Net Weight (kg):	0.495kg
Product Range:	Type D with Boost Element

### Product Specifications

Warranty:	1 Year(s)
Orientation:	
Watts:	900
Valve Types:	

**Drawing**

**Type D Element with Boost  
 Technical Drawing**



Including radiator temperature thermostat for vertical installation and T-Piece\*

\*Chrome, Matt Anthracite & Matt Black elements come with Chrome T-Piece.  
 \*Gloss White & Matt White elements both come with white T-Piece.

Power	Length
300W	340
600W	390
900W	440

**Eastbrook**   
 Eastbrook Road, Gloucester GL4 3DB  
 Technical Helpline : 01452 317890  
 Mon - Fri / 8am - 5pm  
 Email : technical@eastbrookco.com