

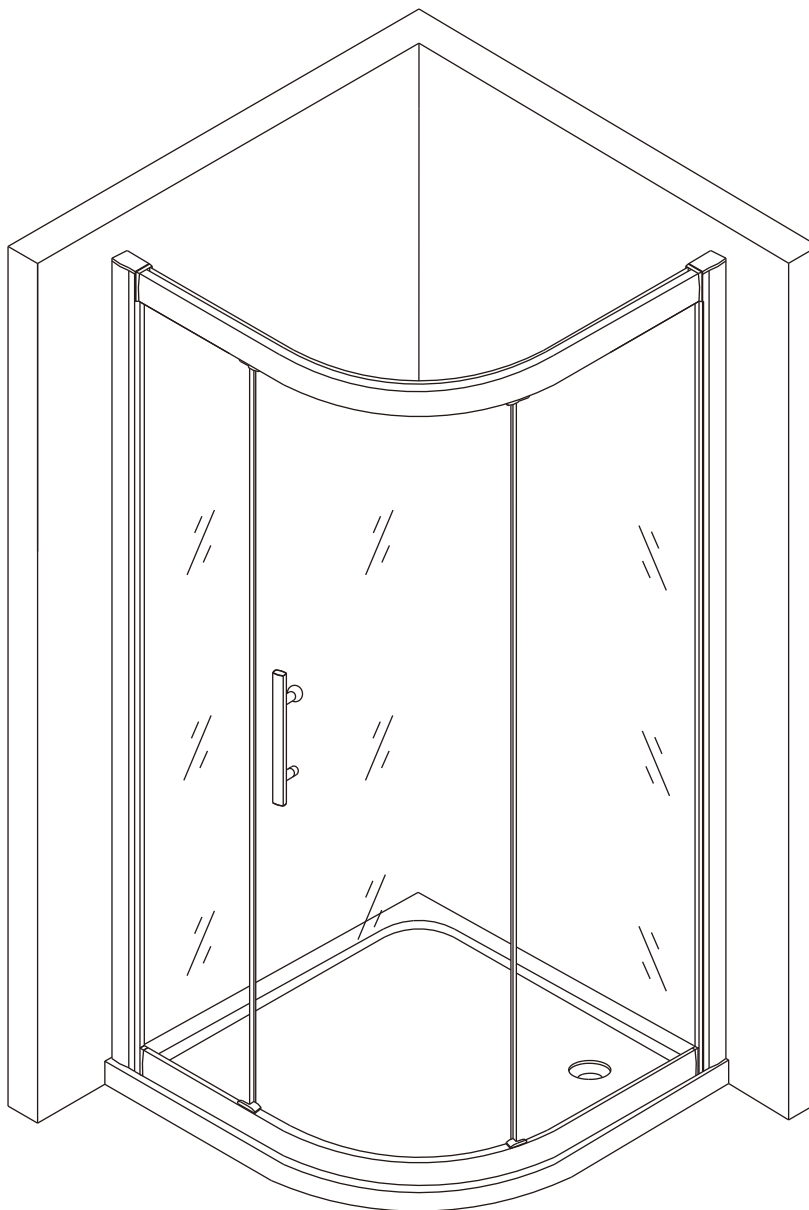
Eastbrook

INSTALLATION MANUAL

VOLENTE SINGLE DOOR OFFSET QUAD

Eastbrook Code	Adjustment	Eastbrook Code	Adjustment
58.110	730-753/870-893	58.114	870-893/970-993
58.111	770-793/870-893	58.115	730-753/1170-1193
58.112	730-753/970-993	58.116	770-793/1170-1193
58.113	770-793/970-993	58.117	870-893/1170-1193

This product should only be fitted by a fully qualified installer.

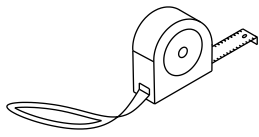


The product should be unpacked and checked for quality prior to install.

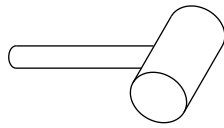
Any missing parts or damage must be reported to your supplier within 10 days of purchase and before installation

No claims can be enforced outside of these terms.

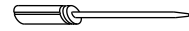
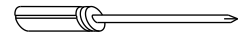
TOOLS REQUIRED



TAPE MEASURE



RUBBER HAMMER



FLAT AND CROSS
HEAD SCREWDRIVERS



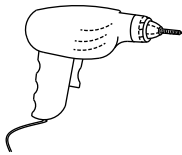
SPIRIT LEVEL



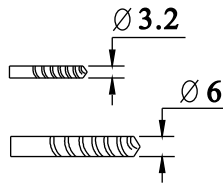
SILICONE & GUN



PENCIL



ELECTRIC DRILL

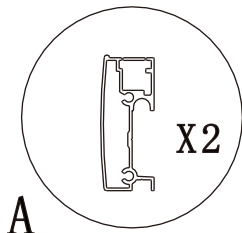


DRILL BIT

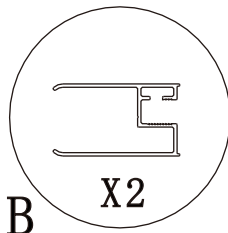


SPANNER

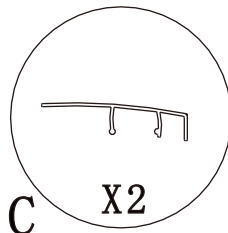
PACKING LIST



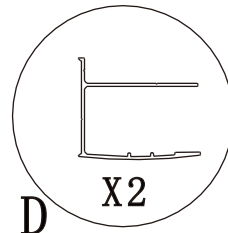
A



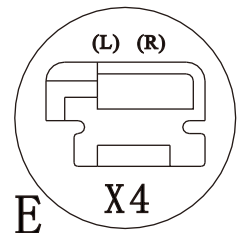
B



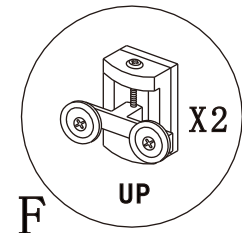
C



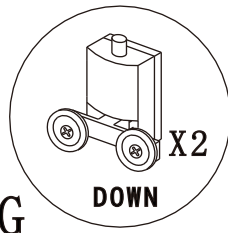
D



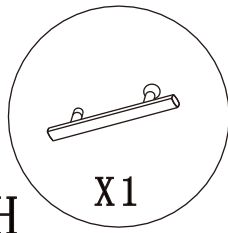
E



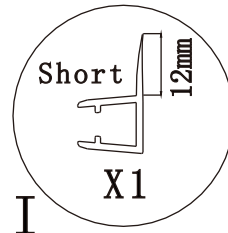
F



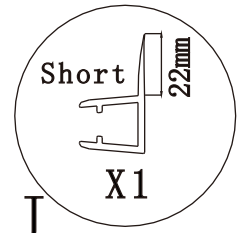
G



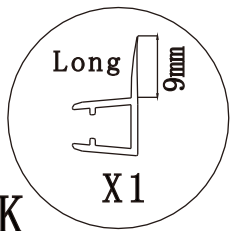
H



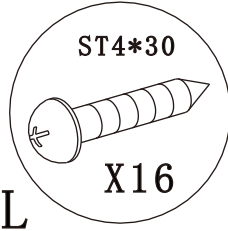
I



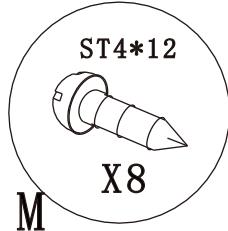
J



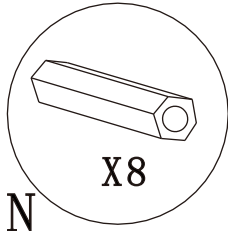
K



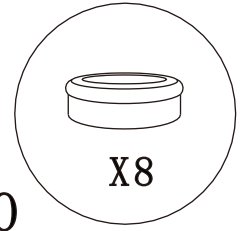
L



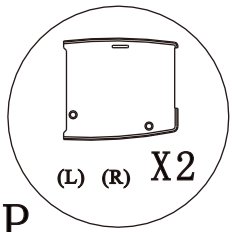
M



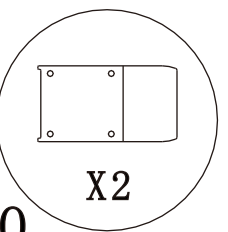
N



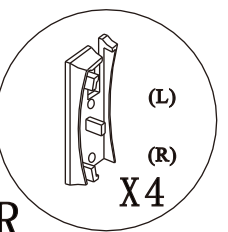
O



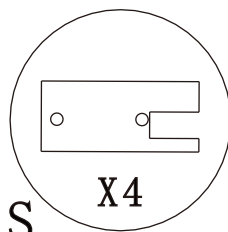
P



Q

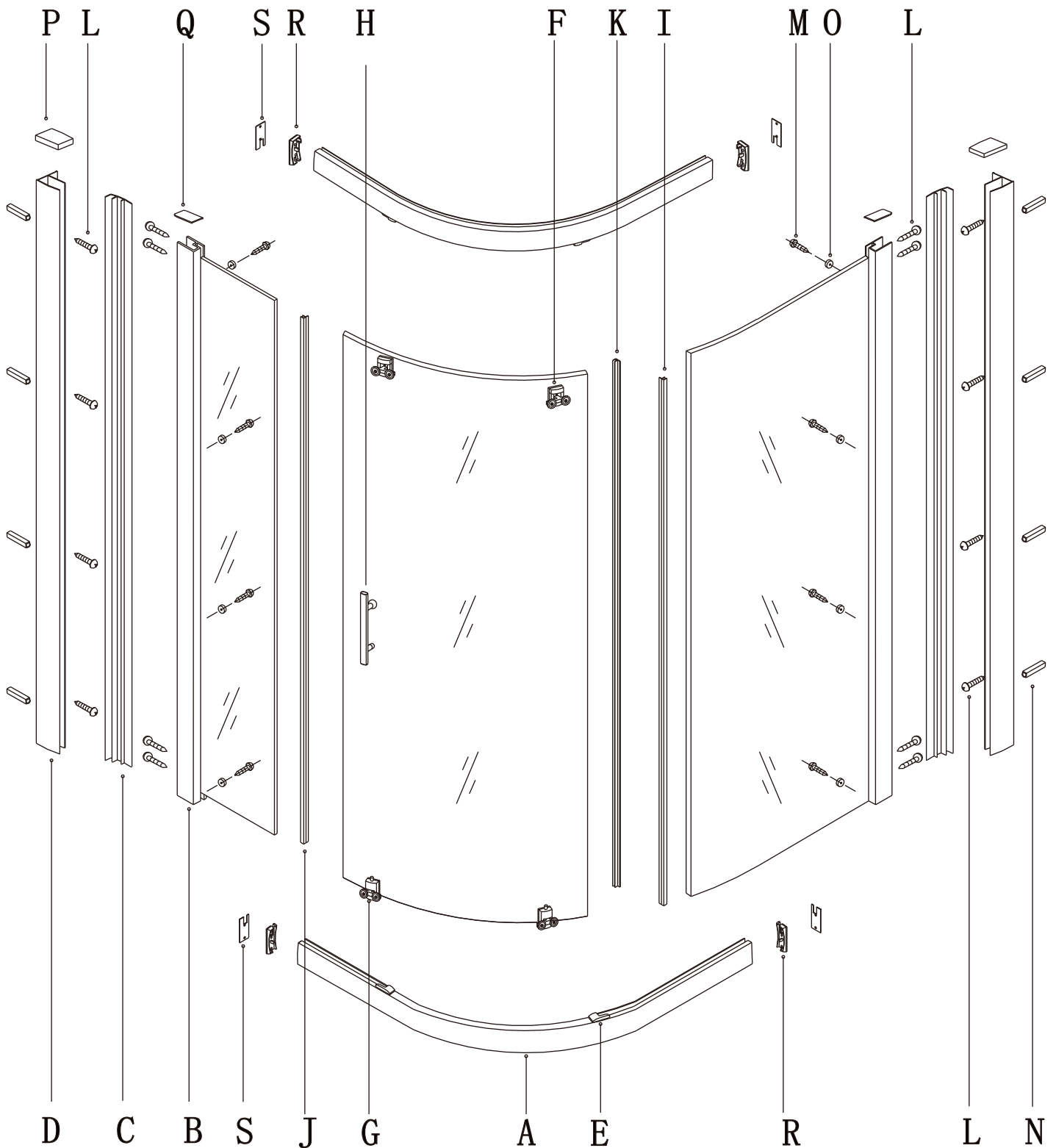


R



S

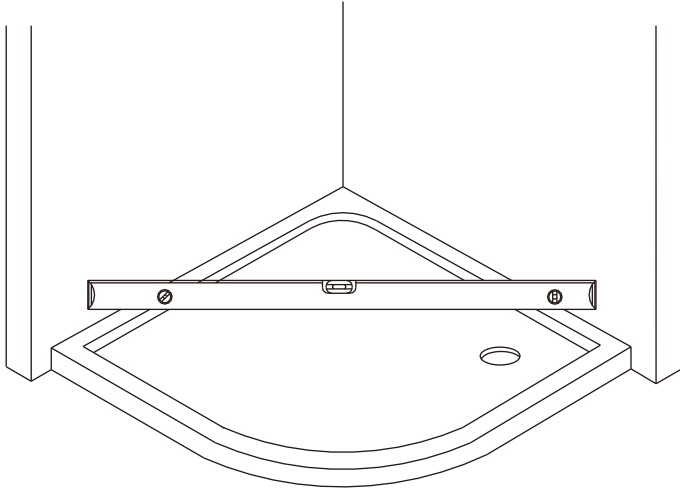
PRODUCT SCHEMATIC DIAGRAM



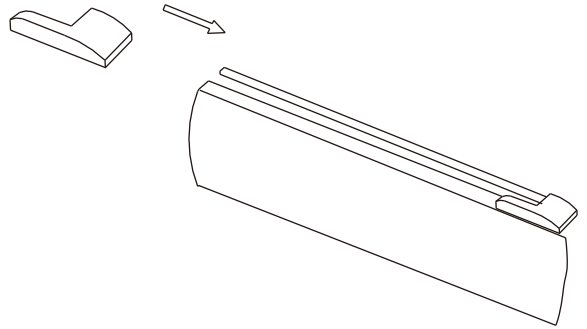
Please make the following checks before commencing installation :

- The product supplied is the required size and adjustment is compatible with the site situation
- Check all component parts are present; see packing list and product schematic diagram for reference.
- Make sure you have all the tools required.

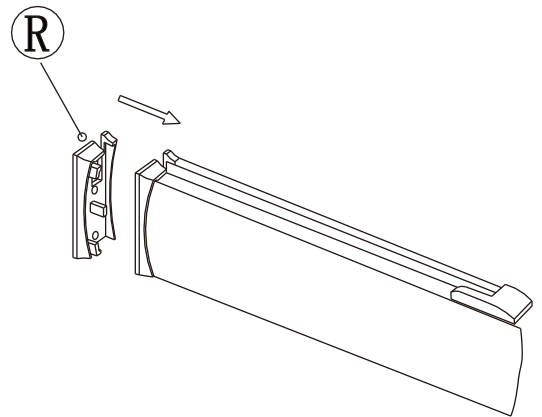
1



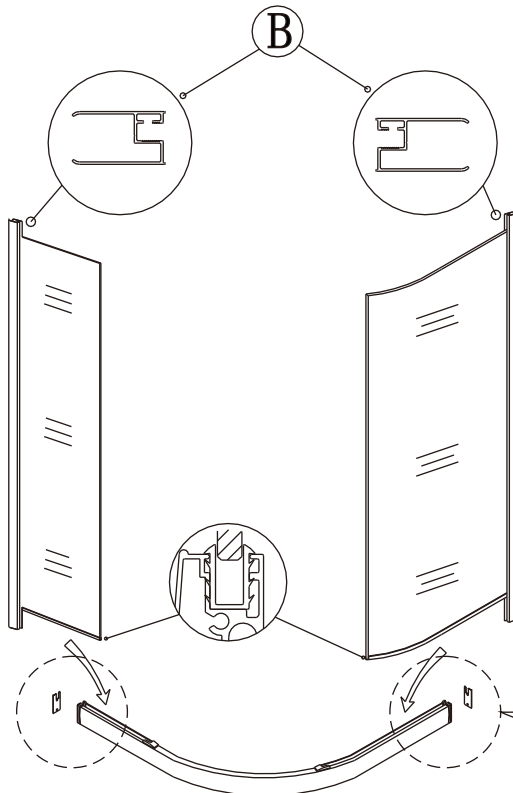
2 Check clip is in position on top and bottom profiles (A).



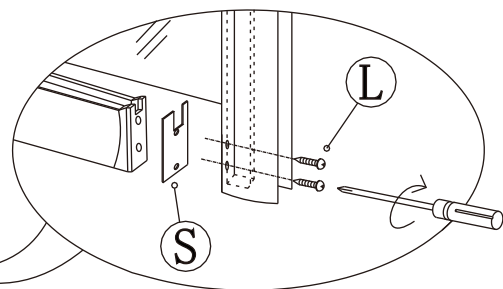
3 Connect part (R) onto the ends of profiles (A).



4



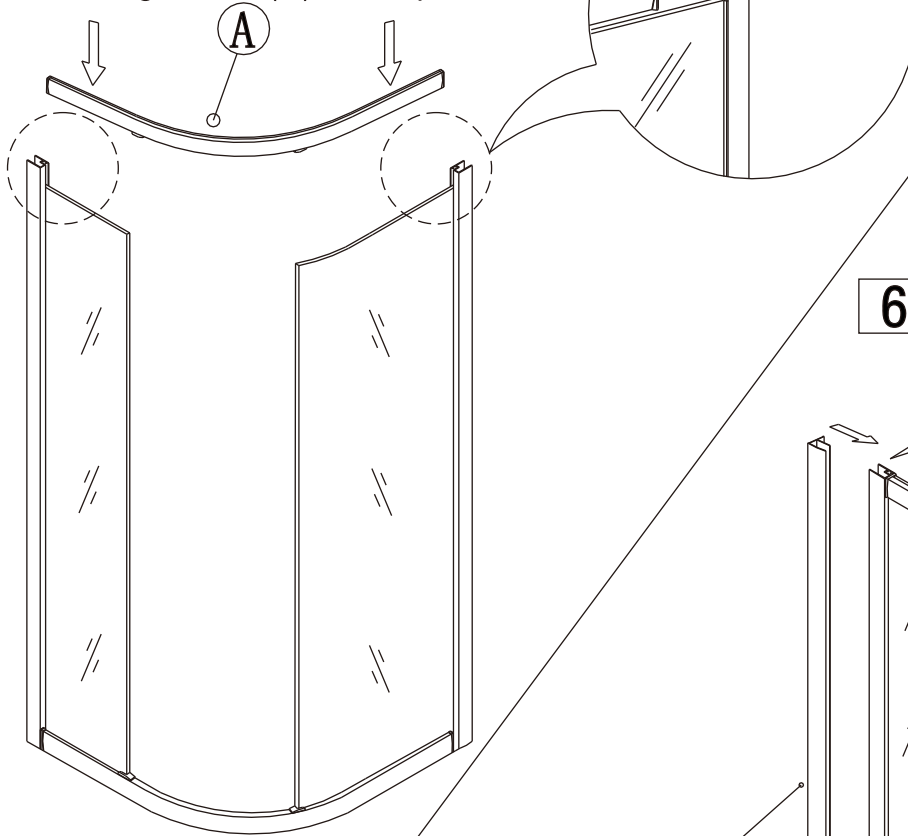
Secure fixed glass panels onto bottom profile (A) with ST4*30 (L) screws. Ensure gaskets (S) are in place.



(1)

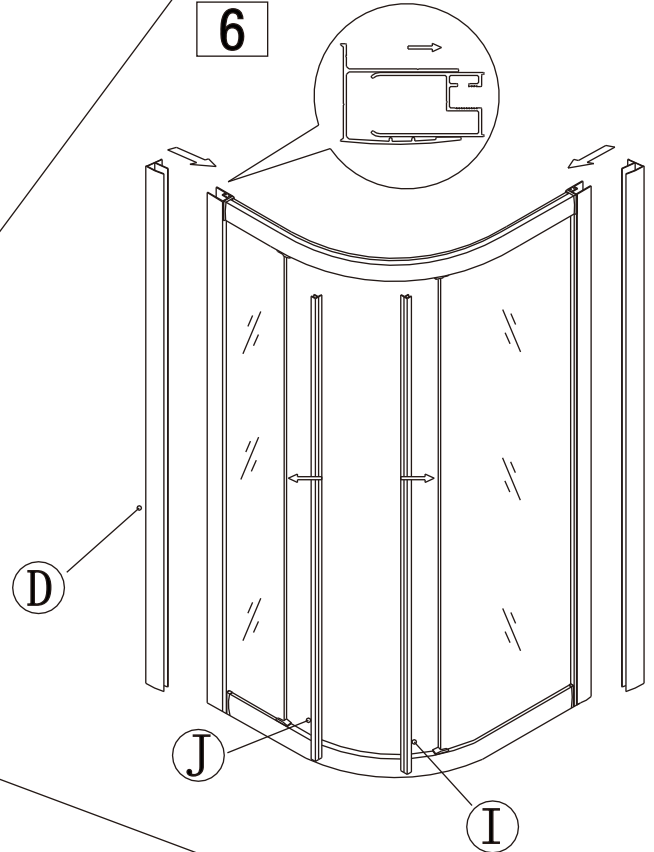
Secure fixed panels onto top profile (A) with ST4*30 (L) screws. Ensure gaskets (S) are in place.

5

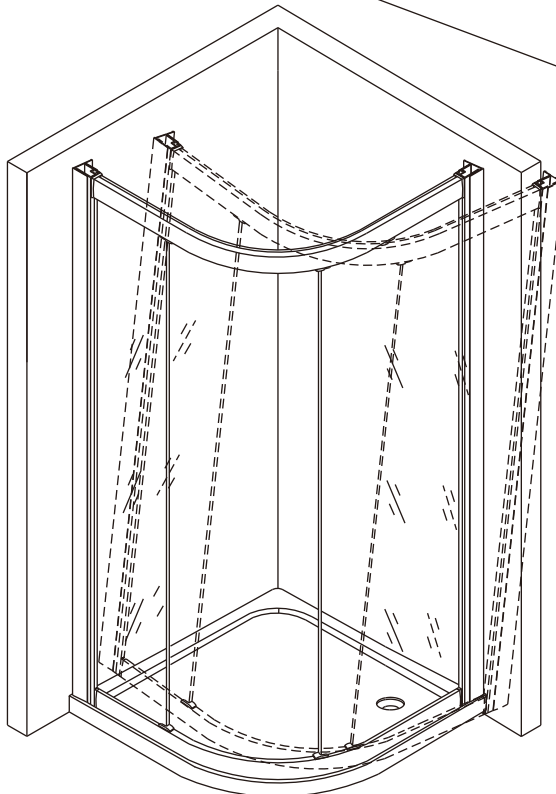


Place wall profiles (D) onto end of quad frame. Fit anti-water strips (J) and (I).

6



7

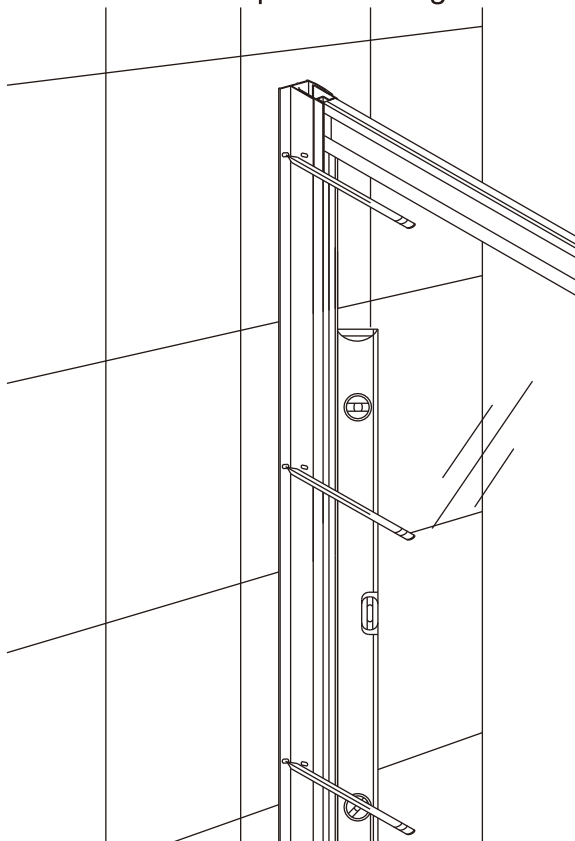


Lift quad with wall profiles in place onto tray and adjust until in required position.

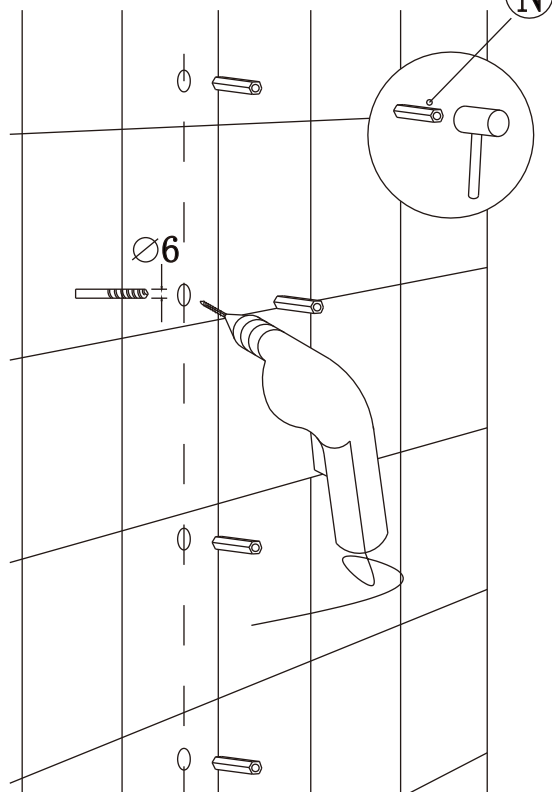
(2)

8

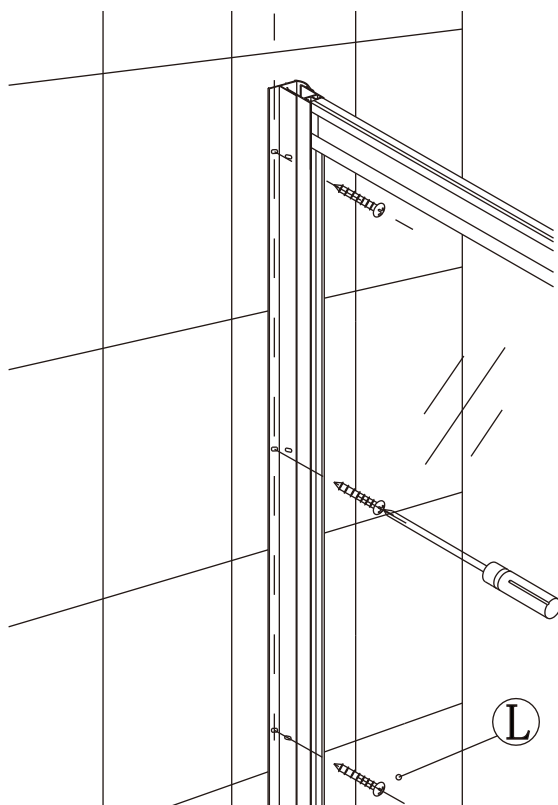
Level and mark wall profile fixing holes.

**9**

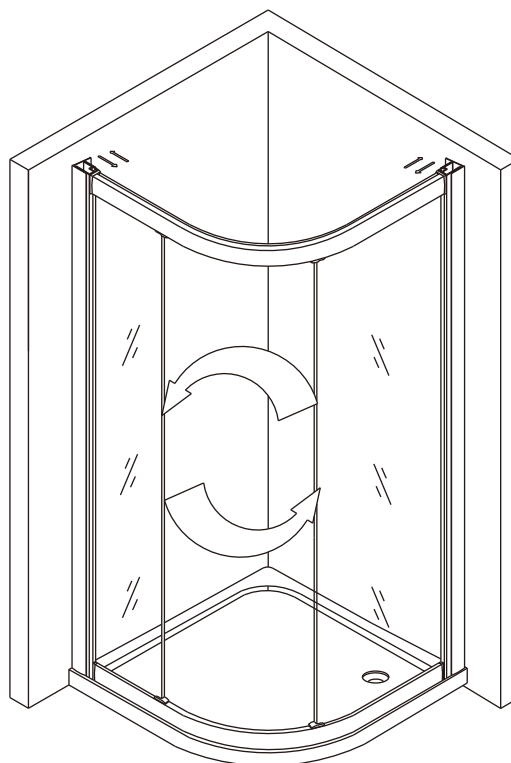
Drill fixing holes with 6mm \varnothing bit.
 Fix wall plugs (N).
 Substitute for hollow wall fixings if installing onto a stud wall.

**10**

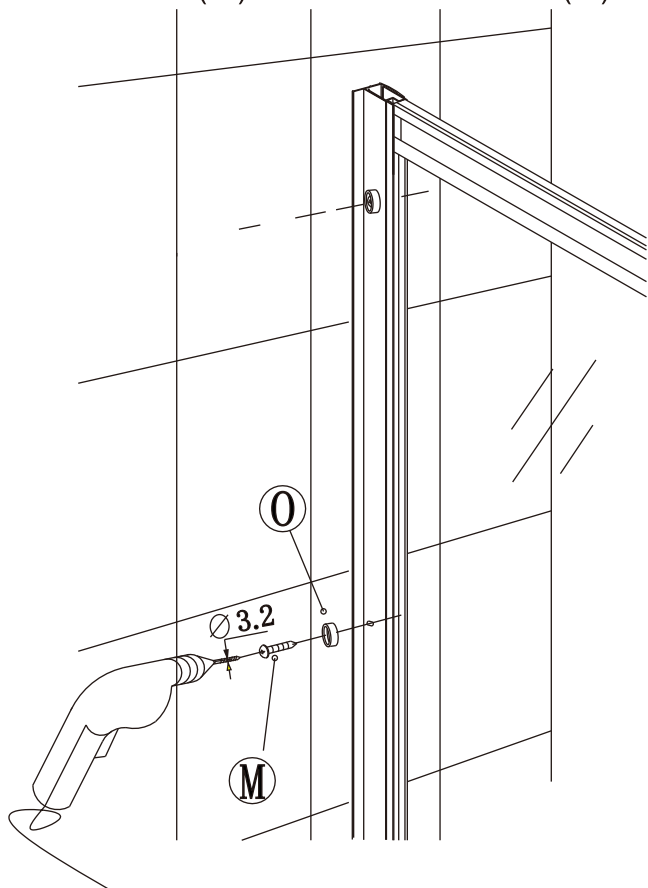
Fix in position with ST4*30 (L) screws.

**11**

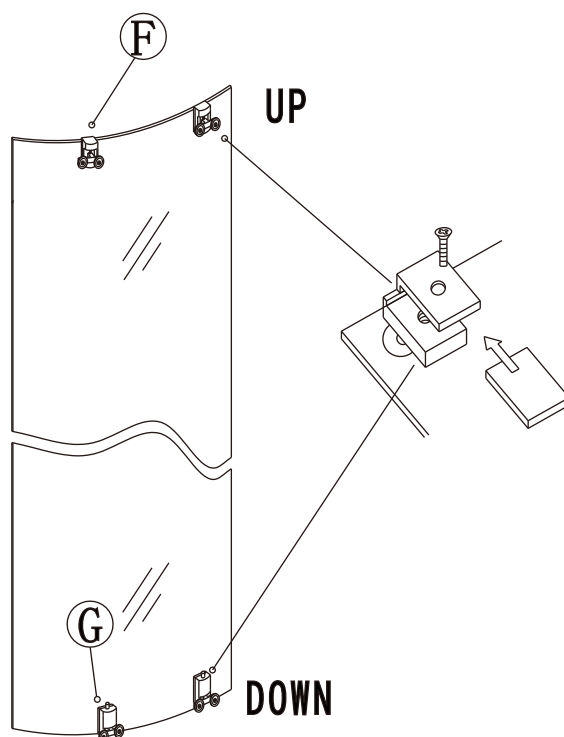
Adjust in profiles as required.



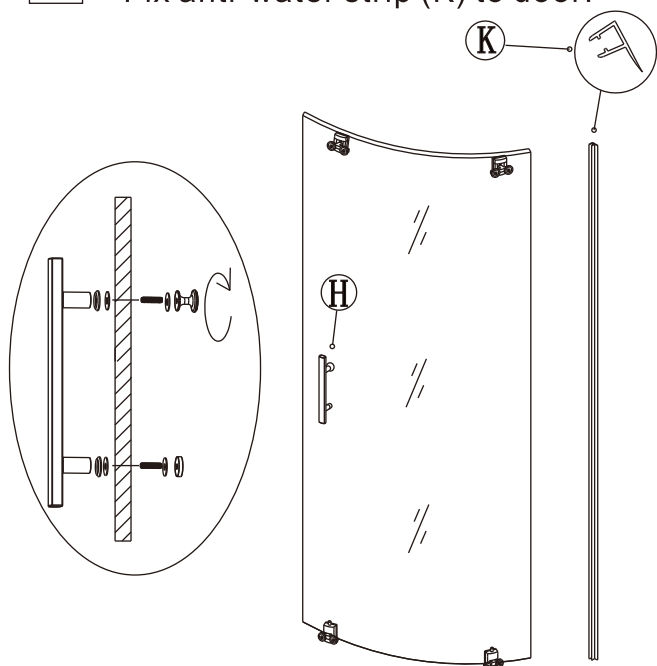
- 12** Drill quad frame with 3.2mm bit and secure to wall profiles (D) with ST4*12 (M) screws and washer (O).



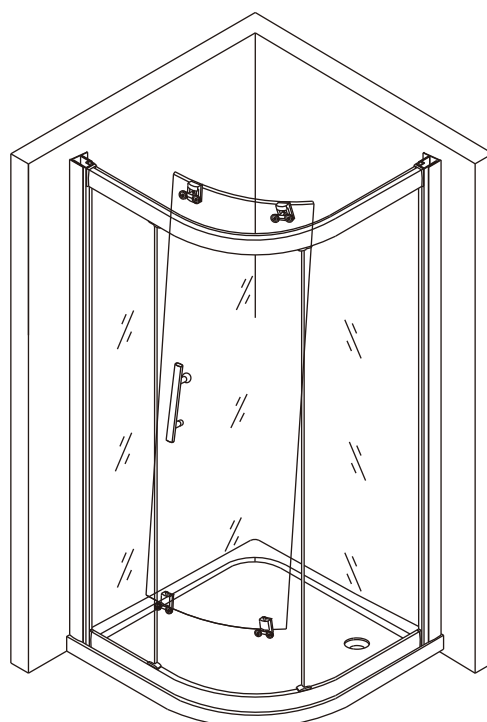
- 13** Fix rollers (F) to top of door and rollers (G) to bottom.



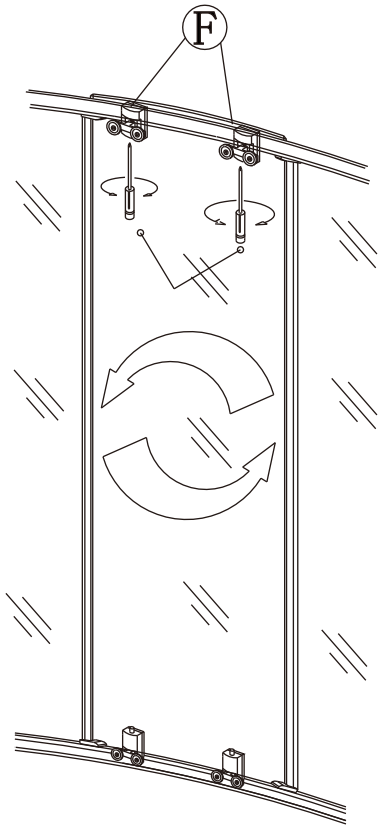
- 14** Attach handle (H) to glass.
Fix anti-water strip (K) to door.



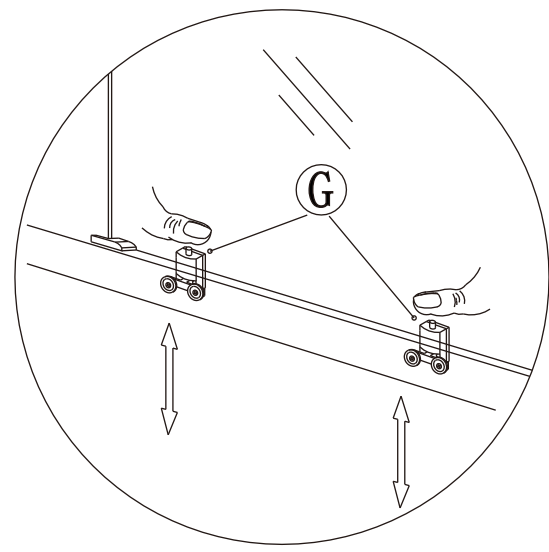
- 15** Lift top rollers onto top rail of quad.
Push down on bottom roller and click into bottom rail.



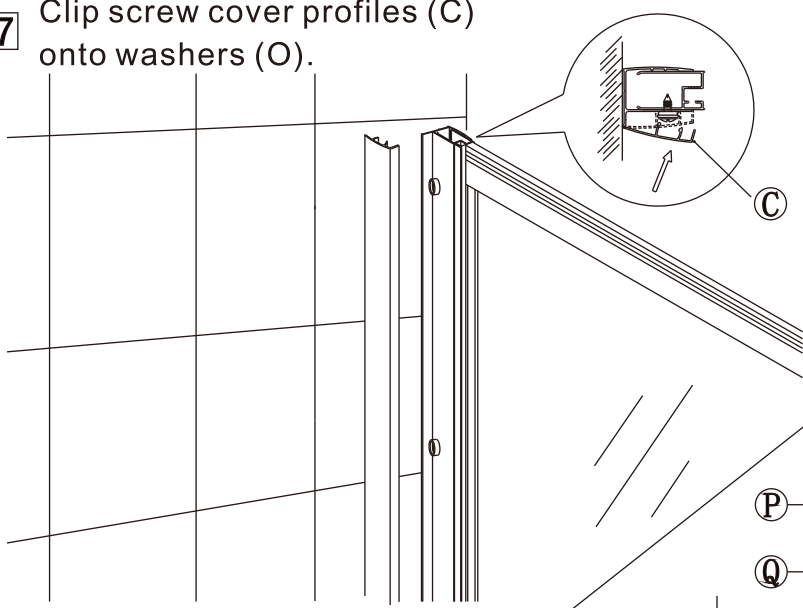
16



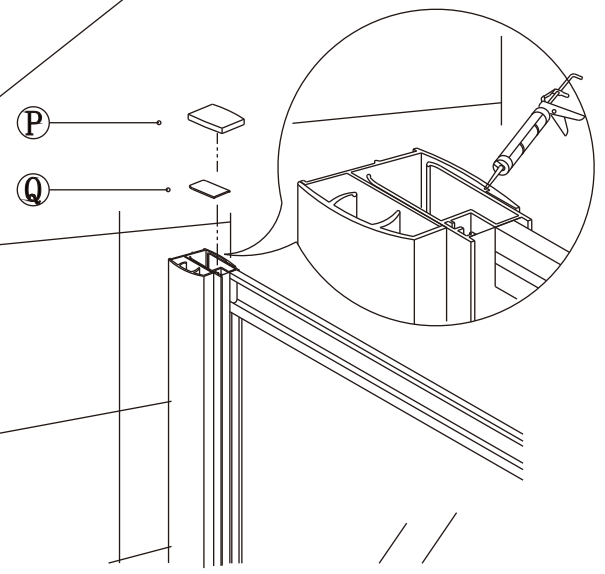
Adjust rollers as required.



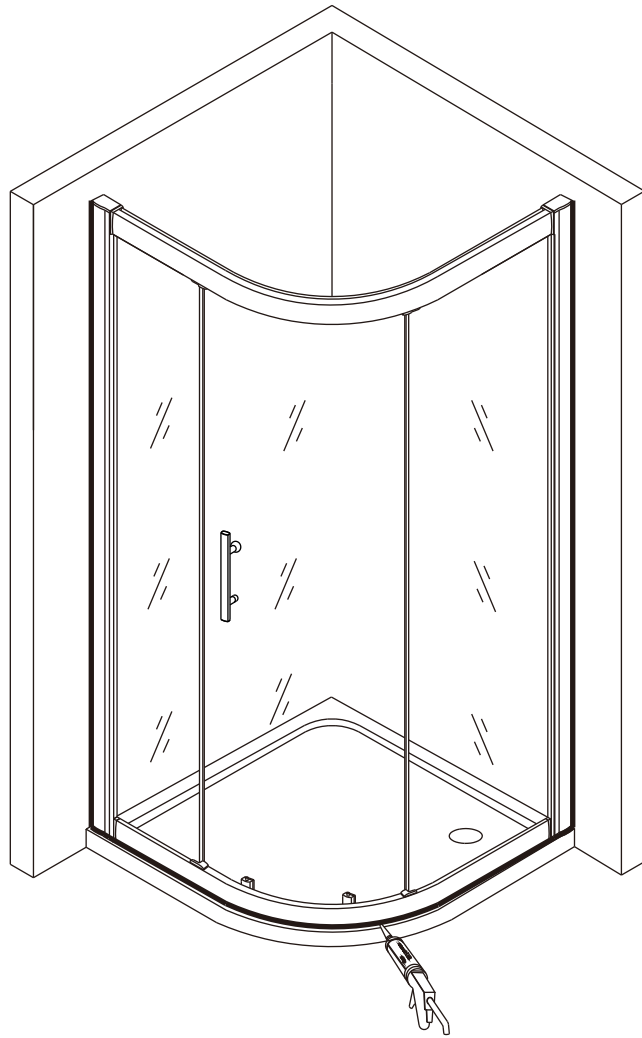
17 Clip screw cover profiles (C) onto washers (O).



18



Place small bead of silicone around top of profiles and fit covers (P) and (Q).



Please ensure silicone sealant is on the outside only as shown.

Eastbrook

Eastbrook Road, Gloucester GL4 3DB
Technical Helpline: 01452 317890
email: technical@eastbrookco.com

Cleaning and Maintenance of Shower Enclosures

Do not clean the shower enclosure with irritant detergents such as alcohol, bleach or other chemical cleaners.

Only clean with mild soapy water or a proprietary cleaner where the label advises it is suitable for the materials the enclosure is constructed from, test on a small area first.

For treating limescale we would recommend distilled vinegar in a half and half solution with water.

Following installation should you find that there is a notable noise when the glass door moves you may add a small amount of silicone lubricant onto the roller wheels and tracks, hinges or clips.

It is the responsibility of the product owner to maintain the product as recommended above. Also to check for parts which have broken or become loose to protect against failure of the enclosure.