

## INSTALLATION INSTRUCTIONS

### Applicable Products:

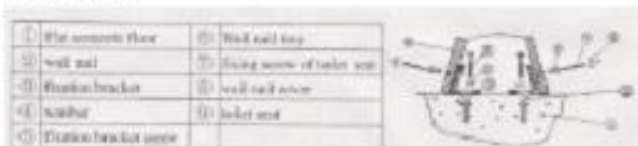
27.0321 Kompact BTW Pan  
27.0791 Loire BTW Pan 27.0791  
Anjou High Level BTW Pan.

**Note:** WC pan screwed to the floor using concealed brackets (supplied). Joint to wall sealed with waterproof sealant (not supplied).

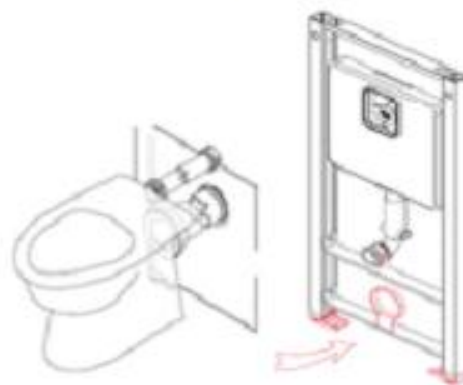
Please Note: Ensure these instructions are followed carefully. If you are unsure about any aspect of the installation, please consult a qualified installer. In the event of any problem with the performance of this equipment, please check installation before consulting your supplier. \* **DO NOT USE CHLORINE (BLEACH) OR RELATED PRODUCTS**

- 1) Place the pan into its desired position against the furniture.
- 2) Mark out onto the back of the large panel of the WC unit the entry point for the water inlet and outlet.
- 3) Cut or router out of the large panel a section that is large enough to cover both of these pipes in one hole but making sure that the hole is not too big or the pan will not cover it once it is in place.
- 4) Fix concealed brackets (supplied) to floor.
- 5) Offer WC pan to unit making sure both waste & inlet connections are in place.
- 6) Secure WC pan to the floor by means of concealed brackets using the screws provided. Please do not affix WC pan to floor using cement or any other adhesive as this will damage WC pan and invalidate its warranty. Please see Picture 1. for concealed bracket instructions.

Picture 1.



\* Please note Back to wall frames are not included



**Eastbrook**