



# INSTALLATION GUIDE



TWO-PIECE TOILET AS-1327/1427

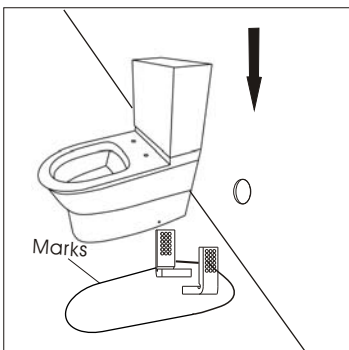
56.0043 Quba pan and seat

56.0045 Quba cistern inc fittings

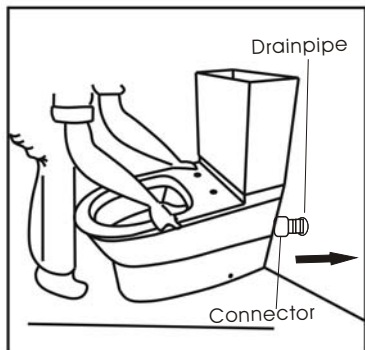


Eastbrook Road, Gloucester GL4 3DB  
Technical Helpline: 01452 317890  
email: [technical@eastbrookco.com](mailto:technical@eastbrookco.com)

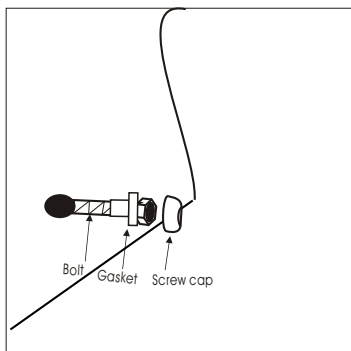
5) Place the toilet according to the marks .



6) Put the connector onto the toilet outlet aiming to the drainpipe, and make sure the screw hole aim at the plastic holder.

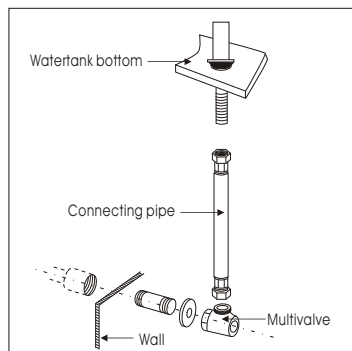


7) Fix and tighten the screw, cover the screw cap.



8) Connect the inlet valve with soft pipe and multivalve.

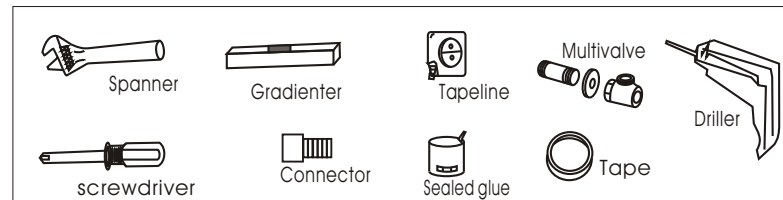
NOTE: When the water pressure on high level , please use alu-plastic pipe.



## 1、PREINSTALLATION

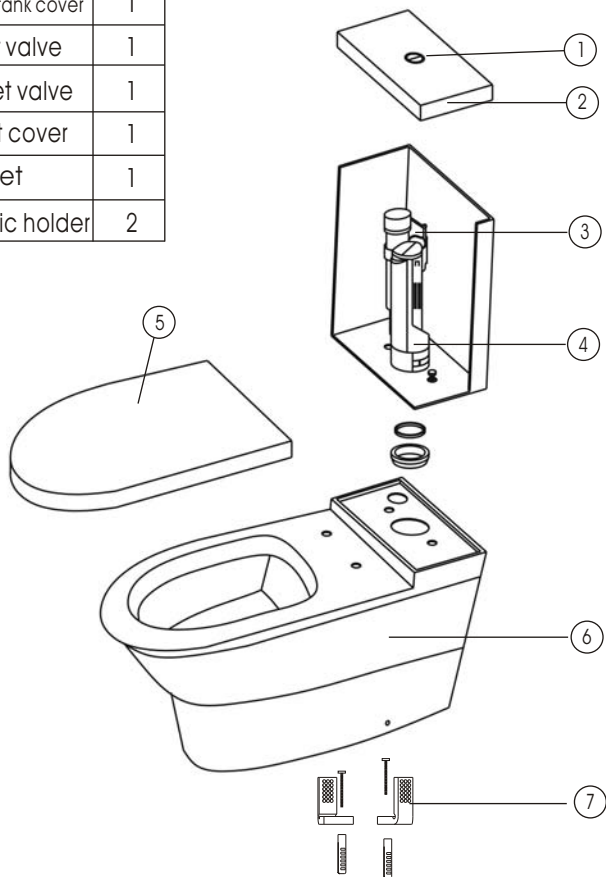
1. In order to get installation easily, please read this instruction carefully before and follow it, which can avoid unnecessary loss.
2. According to the component list, please check the toilet and all the components available, prepare the tools for installation.
3. When local water pressure is over 0.4MPa, better change alu-plastic pipe from the usual inlet pipe.
4. Do not use concrete to fix the toilet, as it makes the toilet split easily.
5. Better usage after sealed silica gel dried (more than 24 hours)
6. Watertank fittings have been professionally adjusted, any adjustment is not available in case of affecting normal function.

## 2、TOOLS



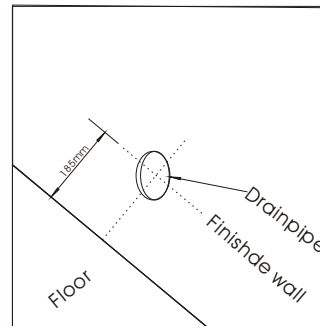
### 3、COMPONENTS

No	NAME	Qty
1	Button	1
2	Watertank cover	1
3	Inlet valve	1
4	Outlet valve	1
5	Seat cover	1
6	Toilet	1
7	Plastic holder	2

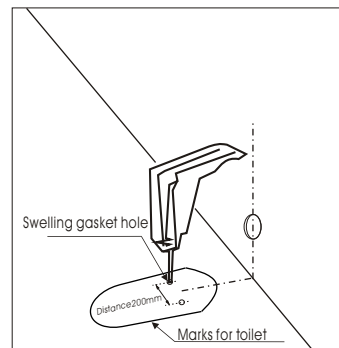


### 4、INSTALLATION

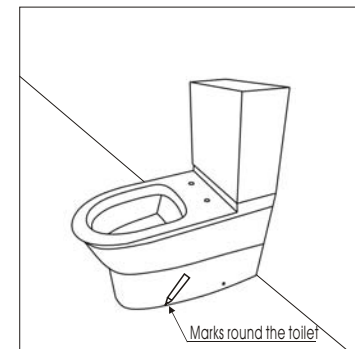
1) Keep the toilet place clean. Fits the flush system and cover seat accordingly, set the toilet on place and figure out distance form center outlet to the floor vertically.



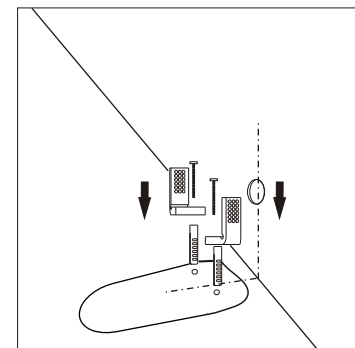
3) Drill a  $\varnothing 9\text{mm}$  hole accordingly.



2) Marks round the toilet on the floor, and figure out the screw hole.



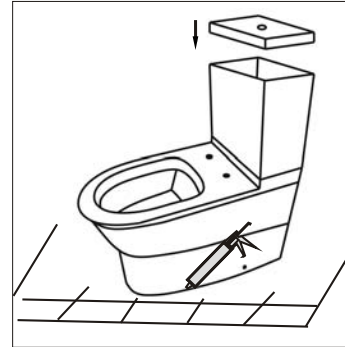
4) Put the swelling gasket into the hole and fix the plastic holder onto the gasket with screw.



# INDEX

1、PREINSTALLATION .....	1
2、TOOLS.....	1
3、COMPONENT DRAWING.....	2
4、INSTALLATION.....	3
5、NOTES.....	5

9) Smear moldyproof silica gel round the connection(toilet and floor meets) then close the watertank cover.



## 5、NOTES

1. Do not throw any stem (like paper) into the toilet , as they will jam the drainpipe.
2. Keep the flushing outlet clean.
3. using neutral cleanser with (warm) water to clean the toilet keep the abrasive cleanser away, for it will cause damage to the toilet surface.