

INSTALLATION GUIDE

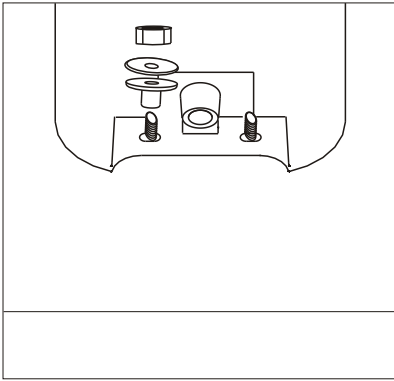
AS - 1679 / 1779 Washbasin with pedestal
56.0046 Wingrave Basin 550mm 1TH
56.0047 Wingrave Pedestal



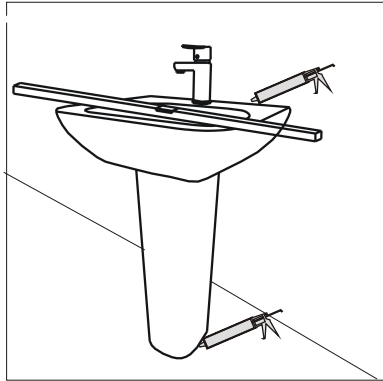
Eastbrook

Eastbrook Road, Gloucester GL4 3DB
Technical Helpline: 01452 317890
email: technical@eastbrookco.com

5) Install the basin and pedestal aiming to the bolt, then fix the gasket tray, nut orderly, and tighten it.



6) Smear mouldproof glue on connections where basin and wall, pedestal and foot meet fix the inlet and drain pipe. better usage after 24 hours.



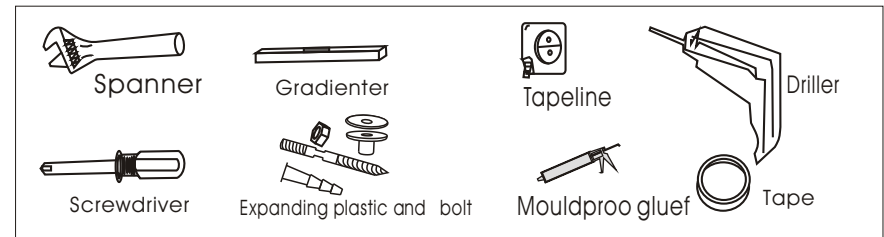
5、NOTE

1. Donot throw sundries (like paper, bumf) into the basin, for it will jam the drain pipe.
2. Keep the basin clean.
3. using neutral cleanser with (warm) water to clean the basin, keep the abrasive cleanser away, for It will cause damage to the surface.

1、PREINSTALLATION

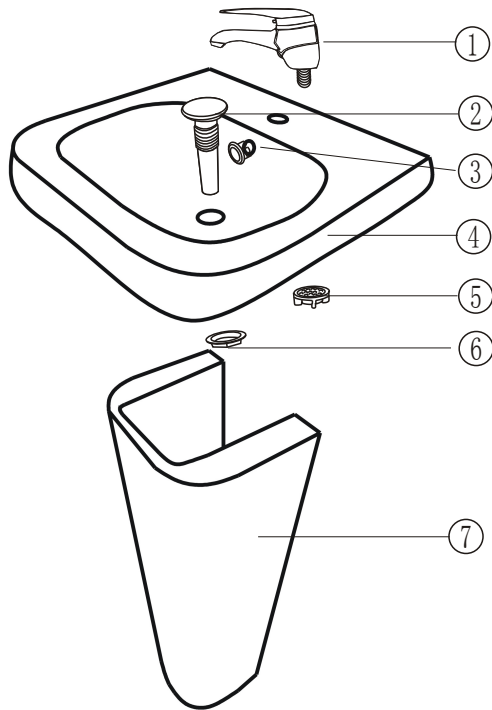
1. In order to get installation easily, please read this instrumnet carefully before and follow it, which can avoid unnecessary loss.
2. According to the component list, please check the product and all the components available, prepare the tools for installation.
3. when local water pressure is over 0.4MPa(0.4kg), better change alu-plastic pipe from the usual inlet pipe.
4. while installing, better co-operation between two persons is necessary.
5. Better usage after sealed silica gel dried (more than 24 hours).

2、TOOLS



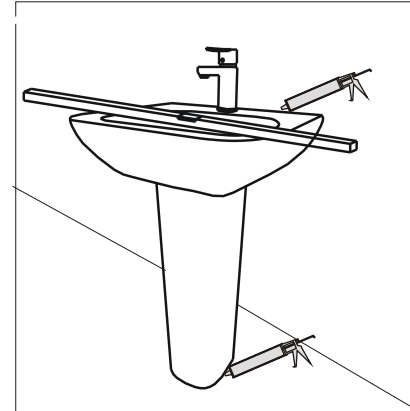
3、COMPONENT DRAWING

NO	NAME	QTY
1	Faucet	1
2	Drainer	1
3	Decorated cap	1
4	Washbasin	1
5	Nut for faucet	1
6	Nut for drainer	1
7	Pedestal	1

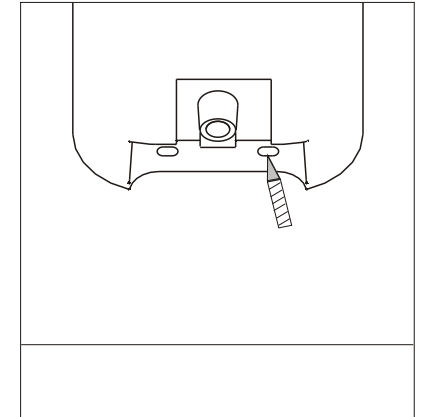


4、INSTALLATION

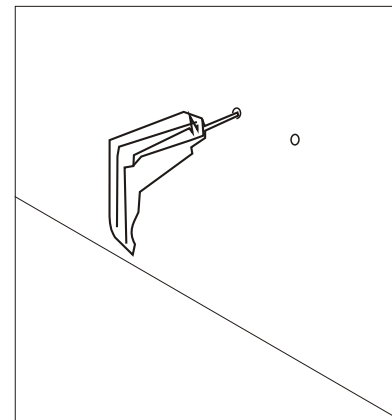
1) Fix the faucet and drainer following to step 3, try to fix the washbasin and pedestal on the right place and keep it stand balanced.



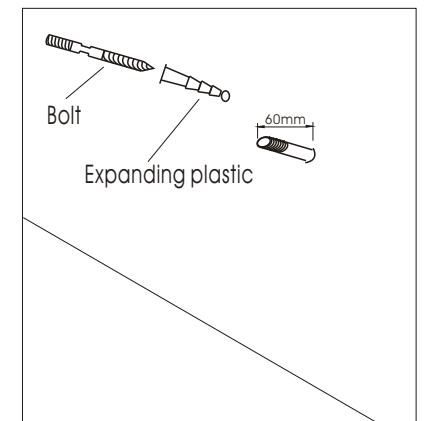
2) Someone holds the basin on its place, the other one remove the pedestal away, then put marks on the wall for the installing holes (two).



3) Take away the basin, use $\varnothing 10\text{mm}$ drill to make two 60mm depth holes following the marks.



4) Put the expanding plastic into the hole, then fix the bolt with 60mm out of the hole.



INDEX

1、PREINSTALLATION	1
2、TOOLS.....	1
3、COMPONENT DRAWING.....	2
4、INSTALLATION.....	3
5、NOTES.....	5