

DATASHEET

Image



General Information

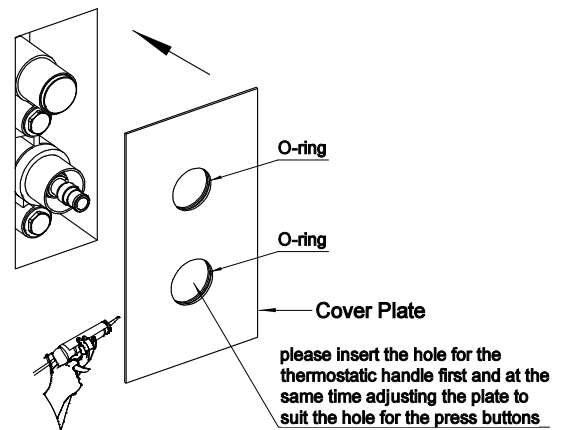
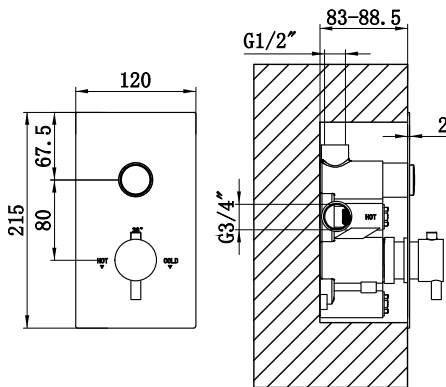
Product:	93.0093
Description:	Square Concealed Ther.Double Push But.Shower Valve
Website Link:	(Click Here)
Product Type:	Shower Valve
Brand:	Eastbrook Company
Colour:	Smooth Black
Material:	Brass valve body, Backplate powder coated steel
Height (mm):	238mm
Width (mm):	120mm
Length (mm):	123mm
Net Weight (kg):	2.42kg

Product Specifications

Warranty:	3 Year(s)
Finish:	Matt
Waste Included:	No
Supplied with fixings:	Yes
Mounting:	Wall
Flow rate Litres/Min (1.0 bar):	11
Flow rate Litres/Min (2.0 bar):	16.2
Flow rate Litres/Min (3.0 bar):	20
Minimum Bar Pressure re-	1

Drawing

Notice



Step 1: recommended installation depth for the concealed valve body.

Step 2: Before installing the cover plate to the wall please lubricate the Orings with silicone grease (or similar) to prevent scratching during fitting. Then apply clear silicone sealant around the back edge of the cover plate and carefully press into the position (please insert the hole for the thermostatic handle first and at the same time adjusting the plate to suit the hole for the press buttons).