

DATASHEET

Image



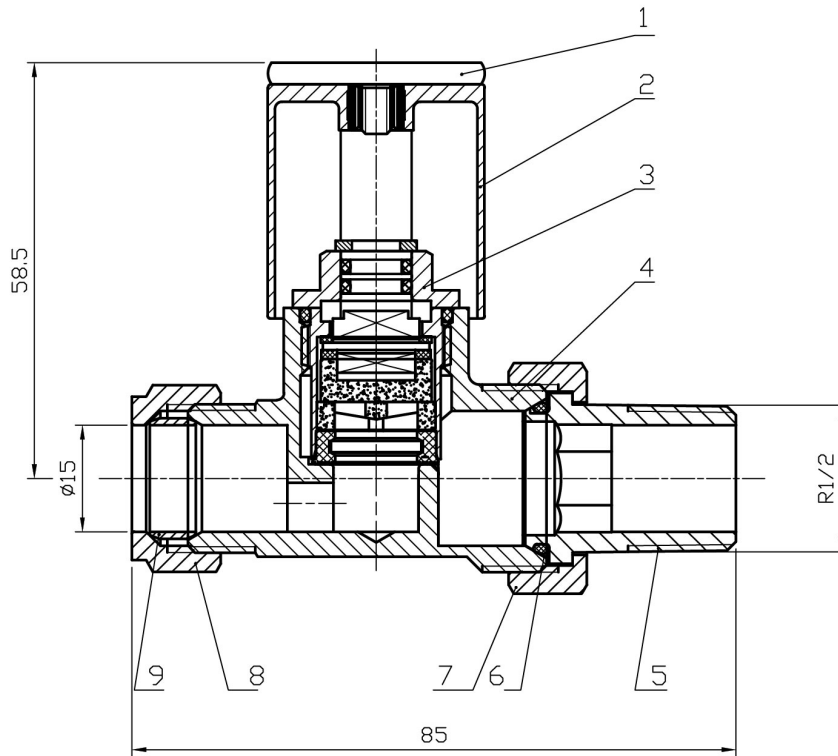
General Information

Product:	12.016
Description:	Straight Radiator Valves (pair)
Website Link:	(Click Here)
Product Type:	Radiator Valve
Brand:	Eastbrook Company
Colour:	Brushed Nickel
Net Weight (kg):	0.543kg
Product Range:	Radiator Valves

Product Specifications

Warranty:	2 Year(s)
Valve Types:	Straight

Drawing



9	AL35035H00003G0	Ferrule	2	H65		ø 15	
8	AL24039H00008K4	Hex nut	2	HPb58-3		G1/2	Brushed Nickel
7	AL24039H00007K4	Hex nut	2	HPb58-3		G3/4	Brushed Nickel
6	AL29001L00066A0	Oring	2	EPDM		ø 18Xø 2	Brushed Nickel
5	AL31059H00003C4	1/2 Connector	2	HPb58-3		R1/2	Bright Nickel
4	AL04019H00061K4	180° valve body	2	HPb58-3			Brushed Nickel
3	AL39019H00006A0	Long quick opening spool	2	HPb58-3		1/2	
2	AL21039H00010K4	Handwheel	2	HPb58-3		ø 30.5X10	Brushed Nickel
1	AL32019H00004K4	Handwheel cover	2	HPb58-3		ø 30.5X33	Brushed Nickel
No.	Part Code	Part Name	QTY	Material		Size	Finish