

# UNIVERSAL LEG SET & PLINTH KIT INSTRUCTION

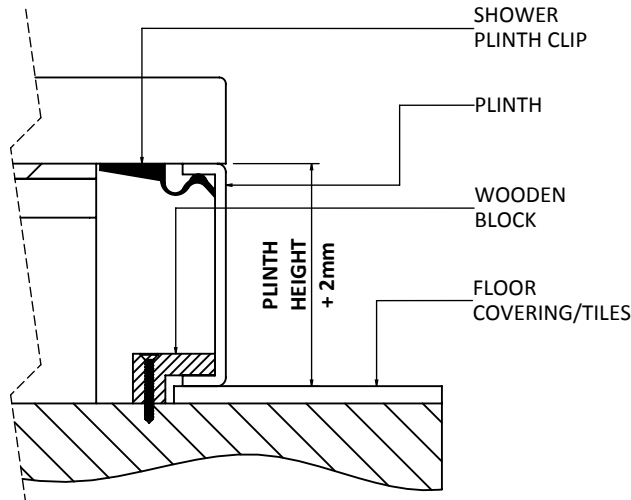
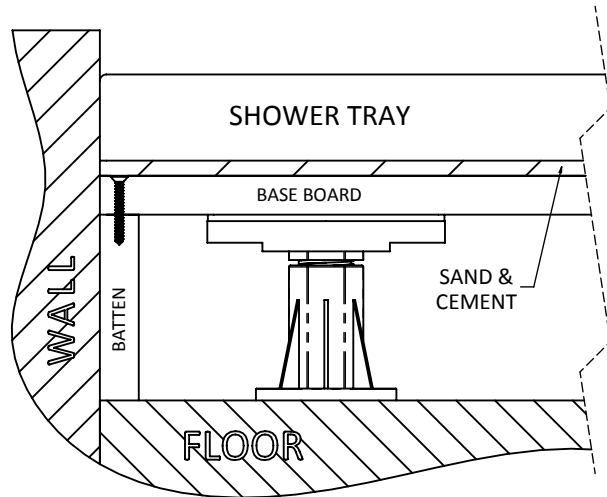
- PLEASE READ THESE INSTRUCTIONS FULLY AND FAMILIARISE YOURSELF WITH THE COMPONENTS BEFORE PROCEEDING. FULLY INSPECT THE TRAY, PAYING ATTENTION TO THE RED LABEL INSTRUCTION. YOUR TRAY COMES WITH A PROTECTIVE FILM. PEEL BACK TO INSPECT THEN REPLACE. **FITTING OF THIS TRAY OR LEG KIT WILL BE TAKEN AS ACCEPTANCE OF QUALITY.**
- IF YOU DON'T FIT THIS TRAY AS PER THE INSTRUCTIONS GIVEN, YOUR WARRANTY WILL BE NULL AND VOID.

## IMPORTANT

- YOU MUST FIT A BASEBOARD AND BATTENS WHEN USING A LEG KIT WITH A TRAY.**
- BASEBOARD AND BATTENS ARE NOT SUPPLIED WITH THIS KIT.**

- ANY TRAY UPTO 920mm USE A PACK OF 6 LEGS.**
- ANY TRAY FROM 1000mm - 1200mm USE A PACK OF 8 LEGS.**
- ANY TRAY FROM 1300mm - 1800mm USE TWO PACKS OF 6 LEGS.**

## FITTING DIAGRAM (When using baseboard)



MOVE THE TRAY INTO THE DESIRED POSITION AND SCRIBE A LINE ON THE FLOOR WHERE THE TRAY WILL SIT INCLUDING THE WASTE.

CUT PLYWOOD BASEBOARD (18mm MINIMUM) SO IT SITS 60mm BACK FROM THE FRONT EDGE OF THE TRAY (SEE FIG 2, 3 & 4).

DRY FIT THE SHOWER TRAY WASTE AND PIPE TO ENSURE IT DOESN'T FOUL ON PLYWOOD BASE.

FIT LEGS TO PLYWOOD BASEBOARD BY REMOVING THE PROTECTIVE FILM ON ADHESIVE PADS. RECOMMENDED LEG POSITIONING FIGS 2, 3 & 4.

THE OVERALL HEIGHT FROM THE FLOOR TILE TO THE UNDERSIDE OF THE TRAY SHOULD BE THE 'PLINTH HEIGHT + 2mm' SEE DIAGRAM ABOVE. YOU MAY NEED TO REMOVE THE LEG'S LOCKING NUT IF FITTING ON THE LEAST EXTENSION.

FIG 1

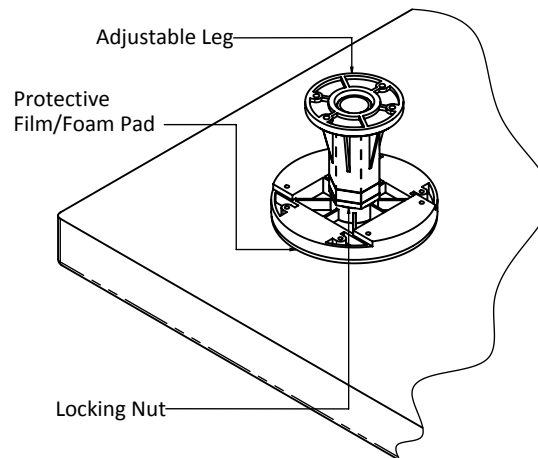


FIG 2

PACK OF 6

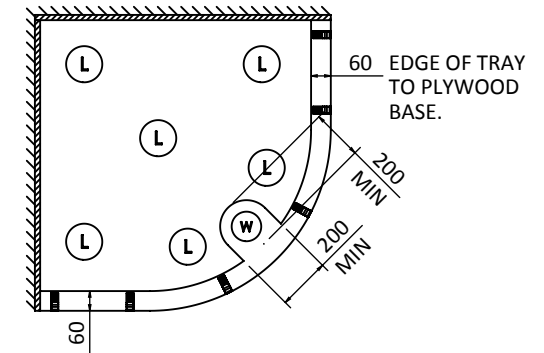


FIG 3

PACK OF 8

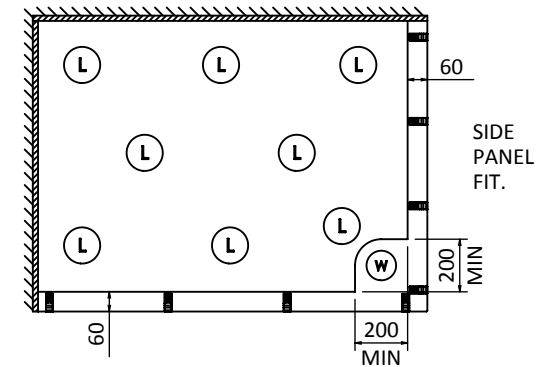
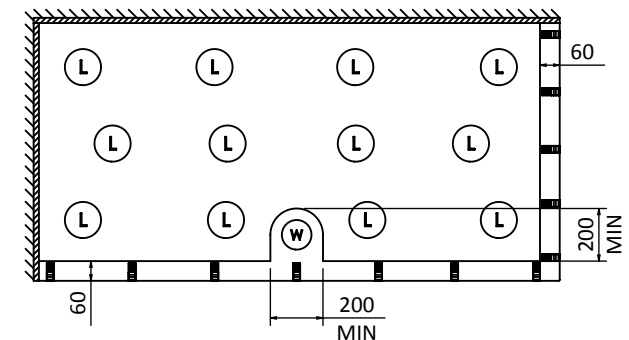
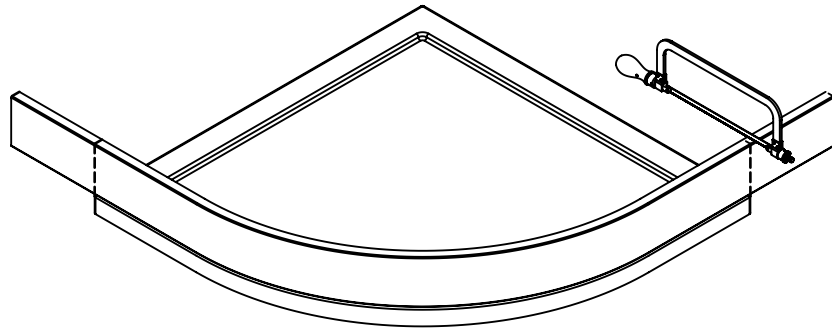


FIG 4

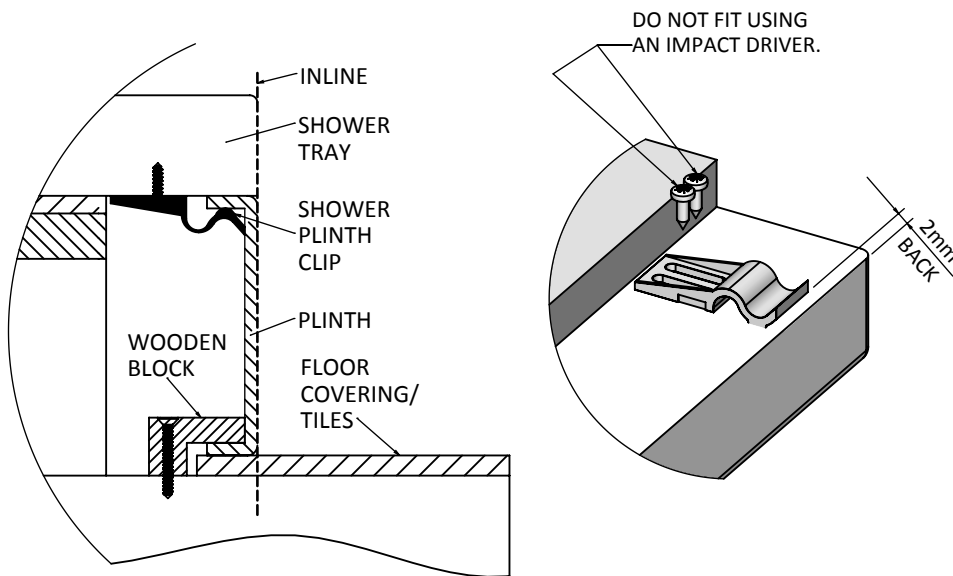
TWO PACKS OF 6



# PLINTH KIT FITTING

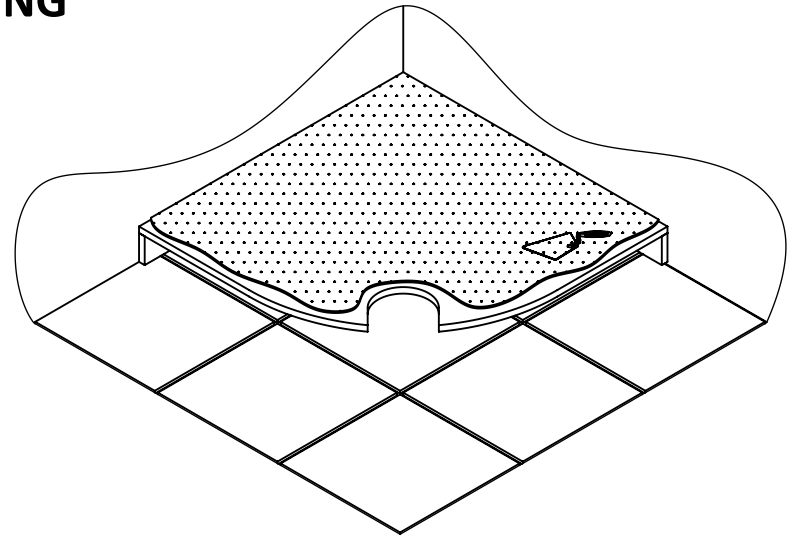


1. THE SHOWER TRAY PLINTH MAY BE SUPPLIED OVER LENGTH. PLACE ONTO THE TRAY FOLLOWING THE CONTOUR. MARK, THEN CUT PLINTH TO SUIT.



2. FIT PLINTH CLIPS TO THE UNDERSIDE OF THE TRAY USING DIAGRAMS OVERLEAF AS A GUIDE. SET THE CLIP 2mm BACK FROM THE FRONT EDGE OF THE TRAY.

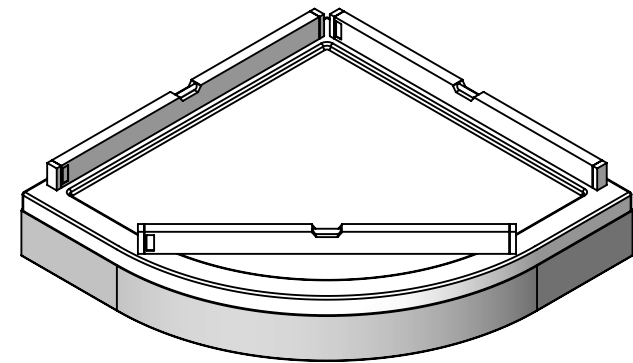
NOTCHED WOODEN BLOCKS CAN BE USED BEHIND THE PLINTH TO HELP KEEP THE PLINTH STABLE, (NOT SUPPLIED).



3. FIT BATTENS TO THE WALL USING SUITABLE FIXINGS. BATTENS SHOULD BE FROM THE FLOOR TO THE UNDERSIDE OF THE BASEBOARD.

PLACE THE BASEBOARD ONTO BATTENS AND PIN IN PLACE. ENSURE BASEBOARD IS LEVEL WITH A SPIRIT LEVEL.

APPLY A SUFFICIENT SAND & CEMENT BED (OR FLEXIBLE FLOOR TILE ADHESIVE) TO THE BASEBOARD TO FORM A LEVEL BED. PLACE THE TRAY ON THE BED AND TAMPER ENSURING A GAP OF 'PLINTH HEIGHT +2mm' FROM FLOOR TILE TO UNDERSIDE OF TRAY. TRAY MUST BE LEVEL IN ALL PLANES.



4. MAKE ALL WASTE CONNECTIONS AND CHECK FOR LEAKS.

FIT SHOWER PLINTH WHEN ALL WORKS ARE FINISHED.