

## DATASHEET

### Image



### General Information

Product:	41.1009
Description:	Windrush 950 x 500
Website Link:	<a href="#">(Click Here)</a>
Product Type:	Towel Rail
Brand:	Eastbrook Company
Colour:	Chrome
Material:	Mild Steel
Height (mm):	950mm
Width (mm):	500mm
Net Weight (kg):	5.6kg
Product Range:	Windrush

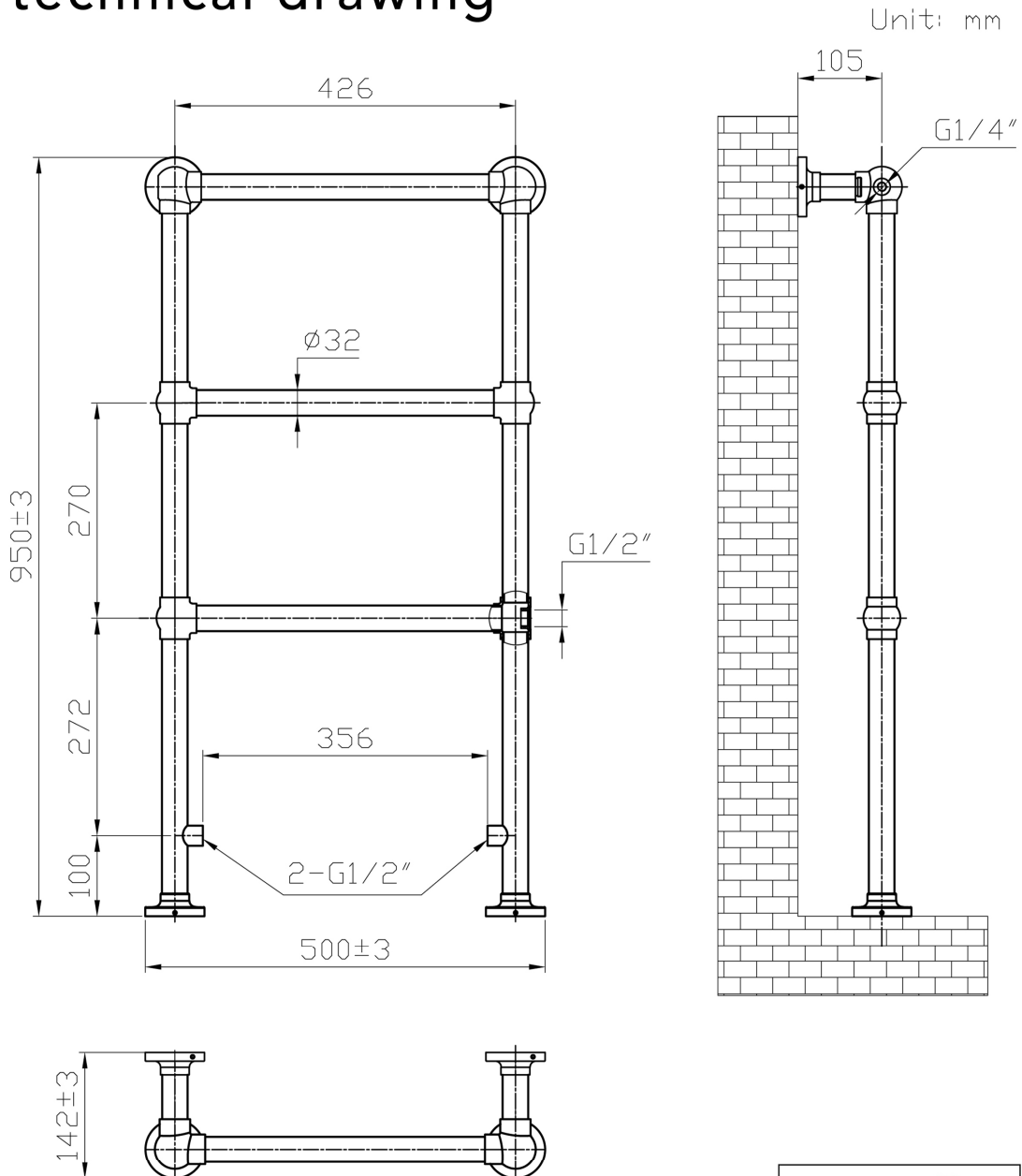
### Product Specifications

Warranty:	5 Year(s)
Supplied with fixings:	Yes
Orientation:	Floor Standing
BTU $\Delta T50^{\circ}\text{C}$ :	393
BTU $\Delta T60^{\circ}\text{C}$ :	502
Watts $\Delta T50^{\circ}\text{C}$ :	115
Watts $\Delta T60^{\circ}\text{C}$ :	147

## Drawing

### 41.1009 Windrush technical drawing

The TRADITIONAL Range



Tappings : 356mm.  
Tappings from wall : 105mm.  
Distance from wall : 142mm.

**This product should be fitted by a fully qualified installer.**



Eastbrook Road, Gloucester GL4 3DB  
Technical Helpline : 01452 317890  
Mon - Fri / 8am - 5pm  
Email : [technical@eastbrookco.com](mailto:technical@eastbrookco.com)