

## DATASHEET

### Image



### General Information

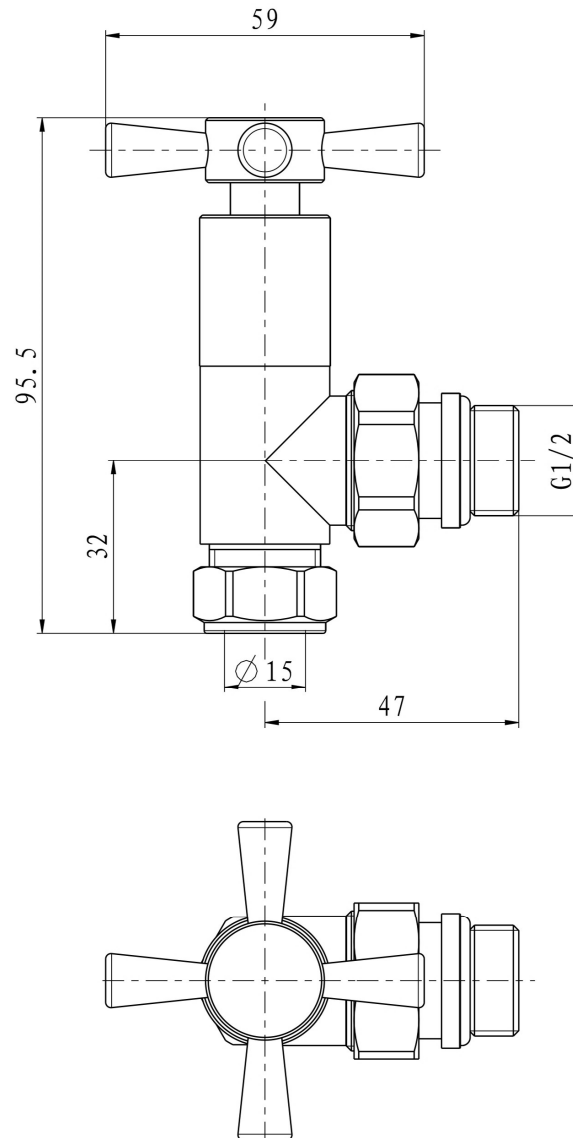
Product:	54.0025
Description:	Angled Crosshead Radiator Valve (pair)
Website Link:	<a href="#">(Click Here)</a>
Product Type:	Radiator Valve
Brand:	Eastbrook Company
Colour:	Chrome
Material:	Brass
Net Weight (kg):	0.68kg
Product Range:	Radiator Valves

### Product Specifications

Warranty:	2 Year(s)
Valve Types:	Angled

## Drawing

### Angled Crosshead Radiator Valves (pair) Technical Drawing



**Eastbrook**   
Eastbrook Road, Gloucester GL4 3DB  
Technical Helpline : 01452 317890  
Mon - Fri / 8am - 5pm  
Email : [technical@eastbrookco.com](mailto:technical@eastbrookco.com)