

## DATASHEET

### Image



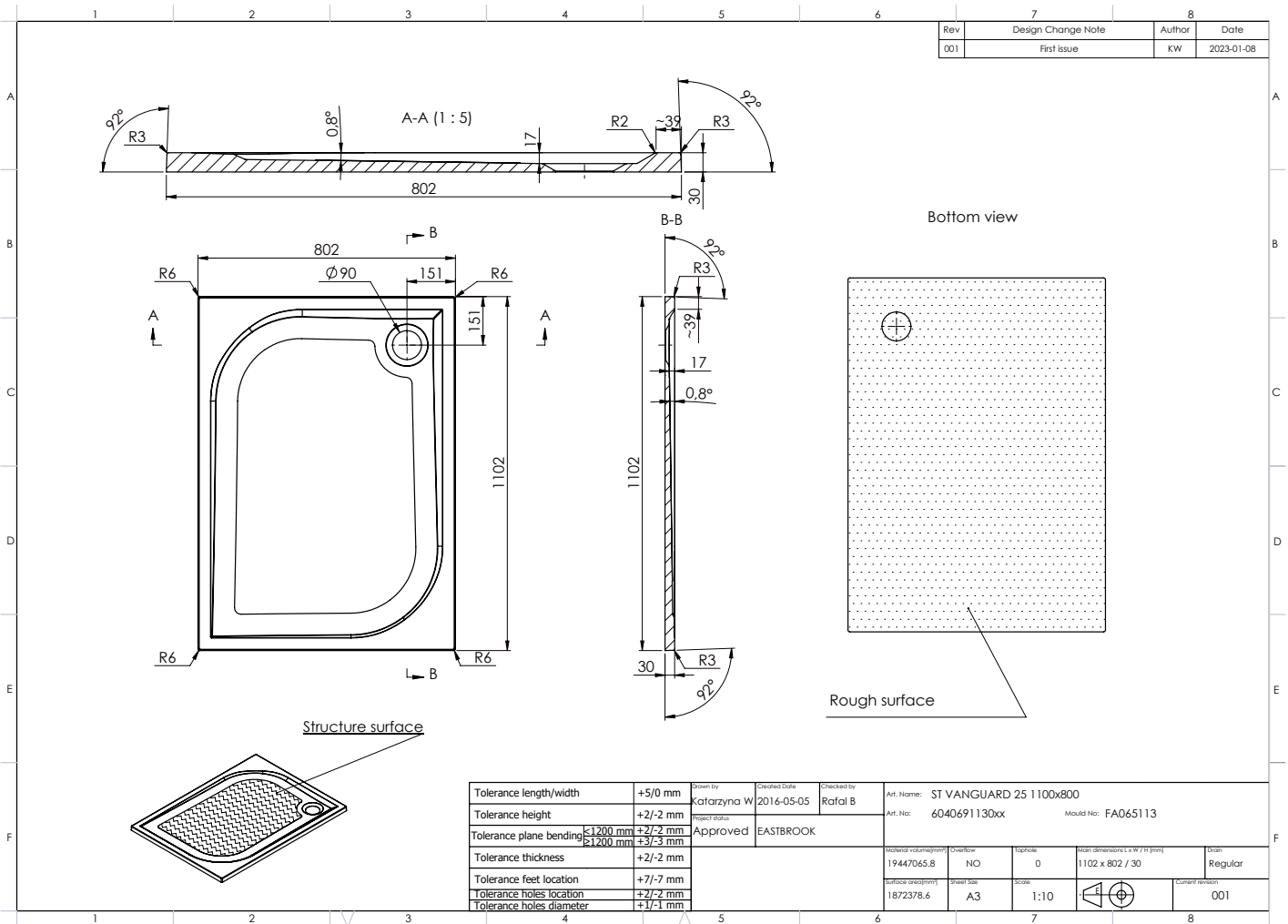
### General Information

|                  |   |
|------------------|---|
| Product:         | 51.074                                  |
| Description:     | Vanguard 25 Tray 1100 x 800 Rectangular |
| Website Link:    | <a href="#">(Click Here)</a>            |
| Product Type:    | Rectangular Shower Tray                 |
| Brand:           | Eastbrook Company                       |
| Colour:          | White                                   |
| Material:        | Cast Marble                             |
| Height (mm):     | 30mm                                    |
| Width (mm):      | 800mm                                   |
| Length (mm):     | 1100mm                                  |
| Net Weight (kg): | 40.5kg                                  |
| Product Range:   | Vanguard                                |

### Product Specifications

|                 |           |
|-----------------|-----------|
| Warranty:       | 2 Year(s) |
| Waste Included: | No        |
| Tray Plan:      | E         |

**Drawing**



| Rev | Design Change Note | Author | Date       |
|-----|--------------------|--------|------------|
| 001 | First issue        | KW     | 2023-01-08 |

|                          |                      |                          |             |                                |                 |            |              |                |                         |
|--------------------------|----------------------|--------------------------|-------------|--------------------------------|-----------------|------------|--------------|----------------|-------------------------|
| Tolerance length/width   | +5/0 mm              | Drawn by                 | Katarzyna W | Created Date                   | 2016-05-05      | Checked by | Rafal B      | Art. Name:     | ST VANGUARD 25 1100x800 |
| Tolerance height         | +2/-2 mm             | Project status           | Approved    | EASTBROOK                      |                 | Art. No.:  | 6040691130xx | Mould No.:     | FA065113                |
| Tolerance plane bending  | ±1200 mm<br>±1200 mm | Tolerance thickness      | +2/-2 mm    | Tolerance volume (mm³)         | 19447065.8      | Overflow   | NO           | Tap hole       | 0                       |
| Tolerance feet location  | +7/-7 mm             | Tolerance holes location | +2/-2 mm    | Main dimensions L x W / H (mm) | 1102 x 802 / 30 |            |              | Material       | Regular                 |
| Tolerance holes diameter | +1/-1 mm             | Tolerance holes diameter | +1/-1 mm    | Surface area (mm²)             | 1872378.6       | Sheet size | A3           | Scale          | 1:10                    |
|                          |                      |                          |             |                                |                 |            |              | Sheet revision | 001                     |