

COMPONENTS

The mixer set comprises of the following:

- 1 Bath Shower Mixer
- 2 Connection sleeve with male screw (2 off)
- 3 Fixing gasket (2 off)
- 4 Fixing nut (2 off)
- 5 Flexible Hose
- 6 Diverter

check that all parts are correct

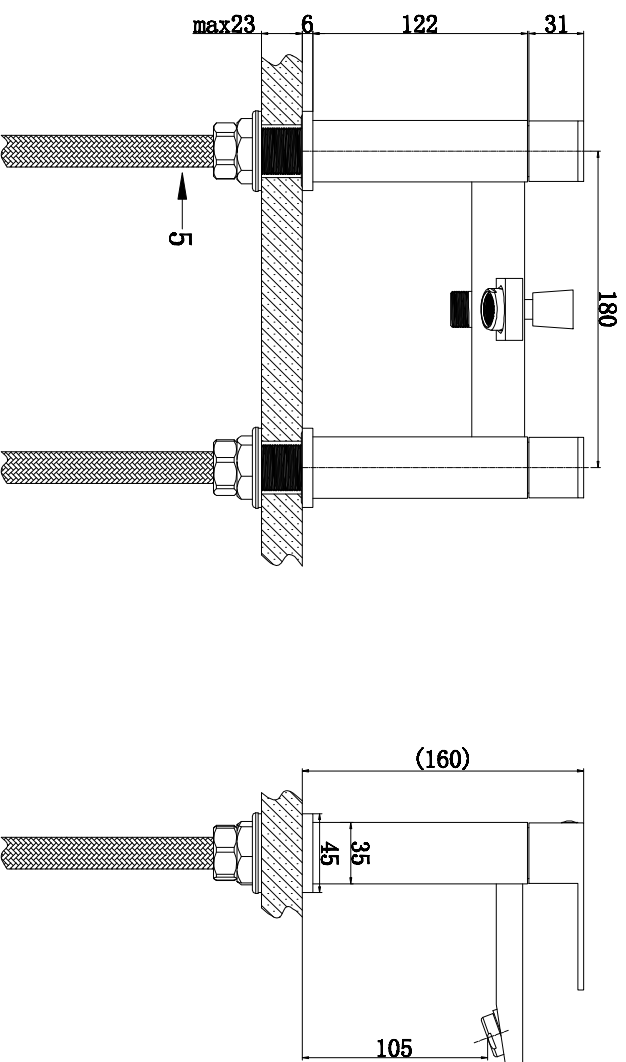
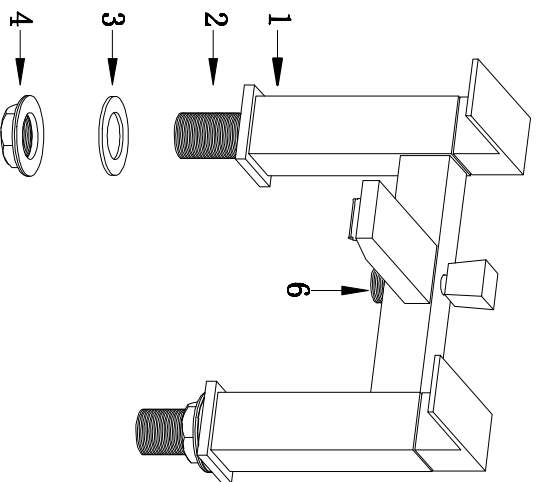


fig. 1

INSTALLATION

Bath tub mixer installed onto bathtub as per drawing fig 1.

Connect the hot and cold supplies to the taps using standard BSP tap connectors (3/4" Flexible Hose).