

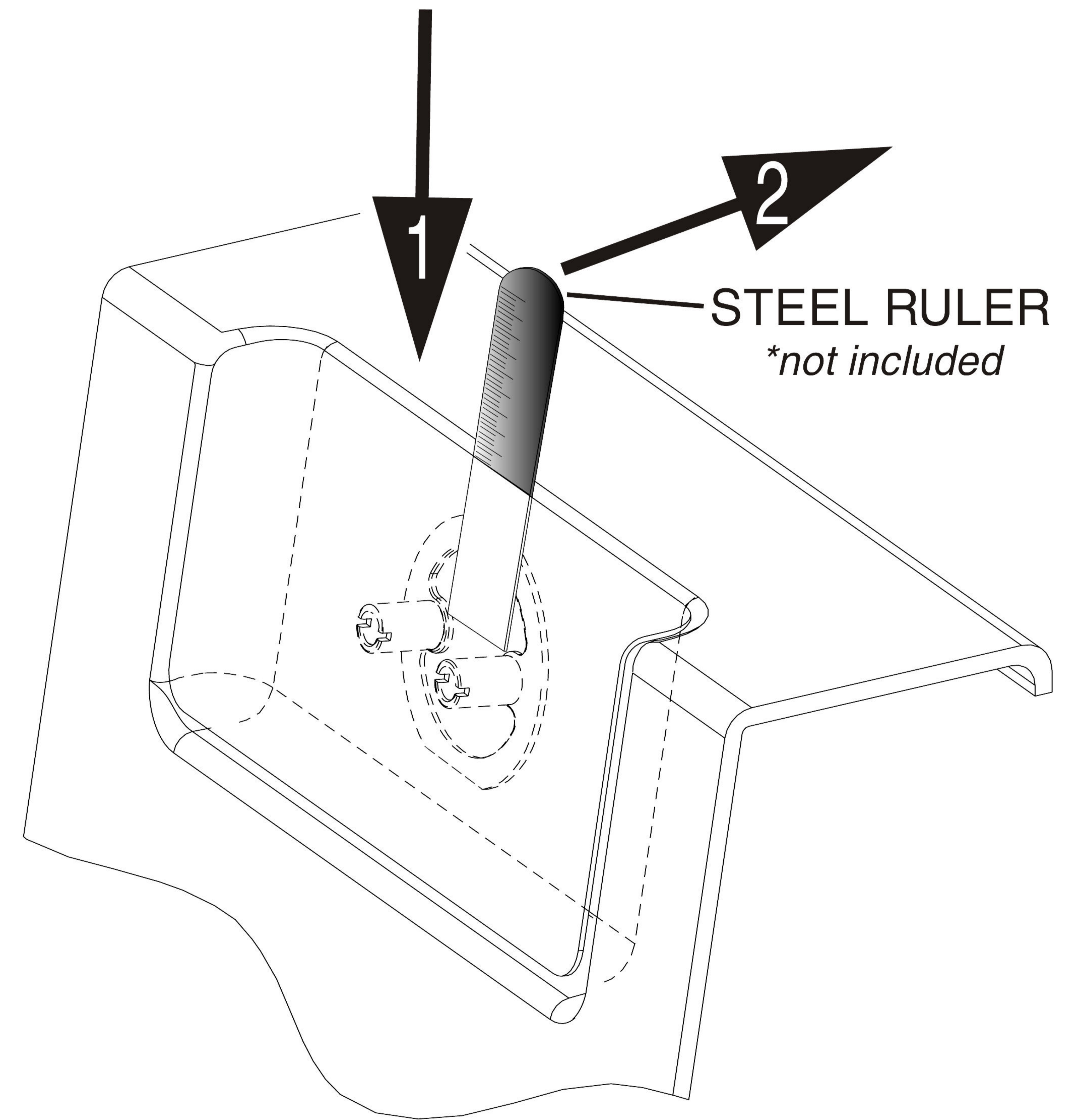


CELSIUS FILLER INSTALLATION GUIDE

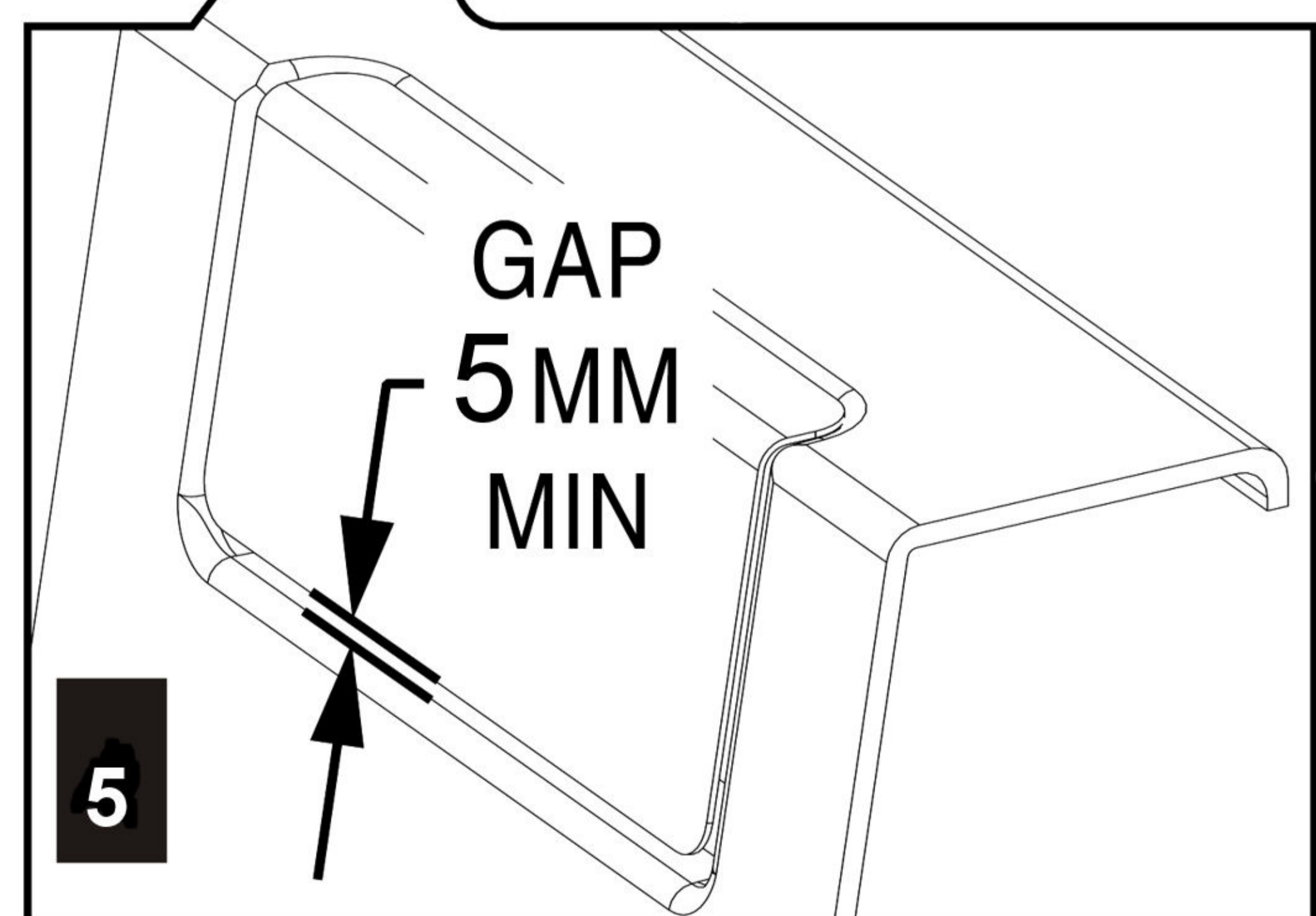
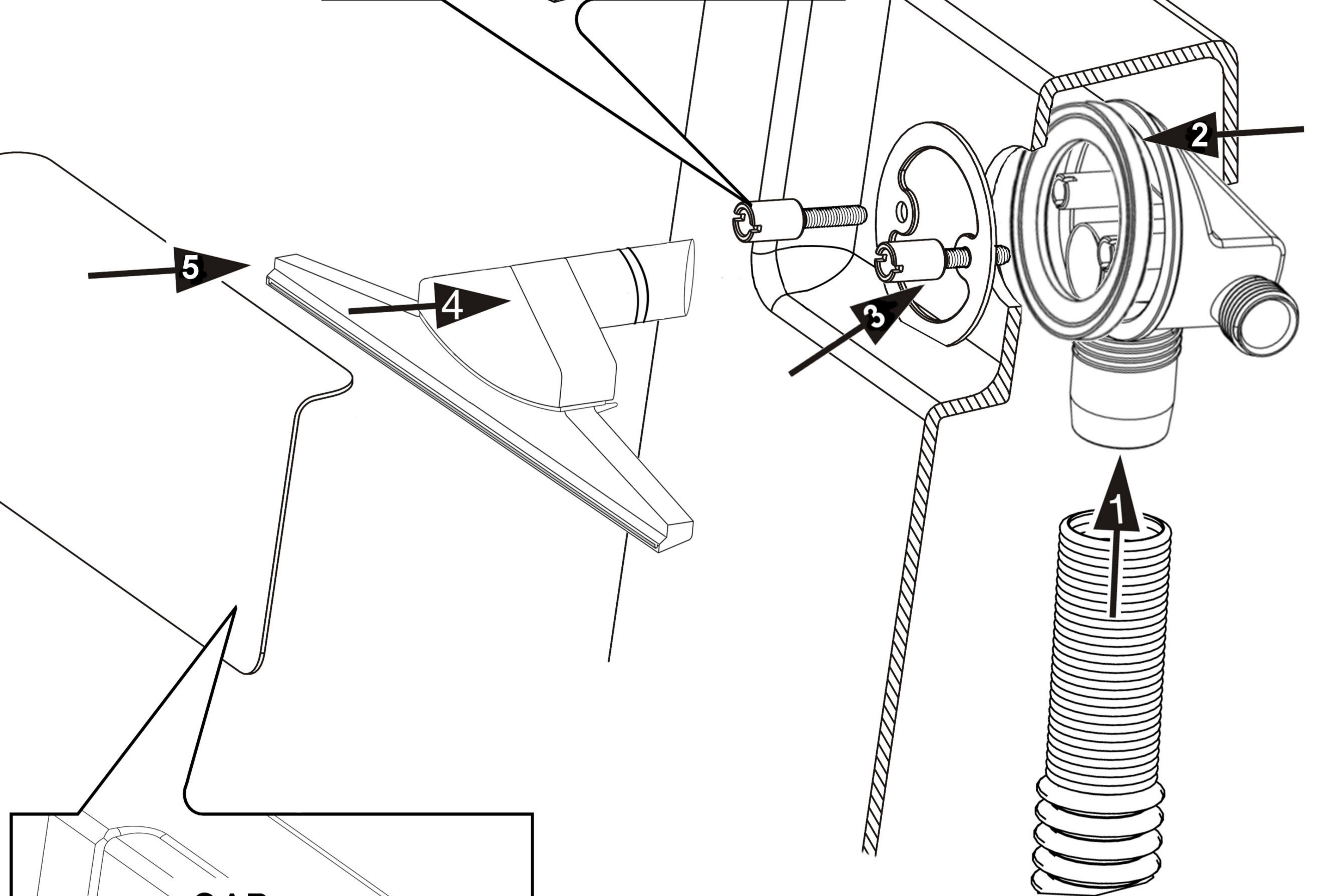
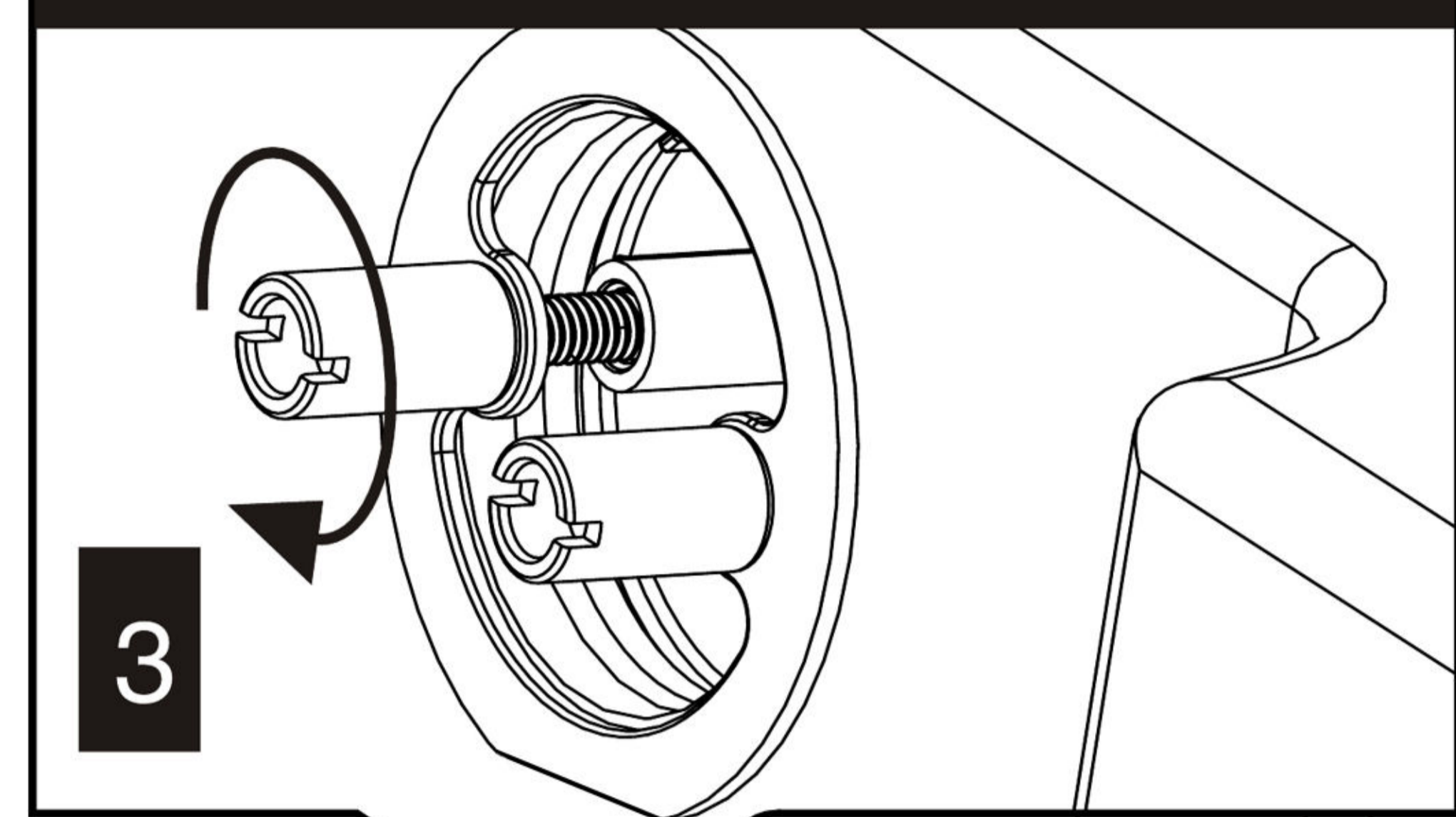
**CARRON BATHROOMS
NORTH CARRON WORKS
STENHOUSE ROAD
CARRON
FALKIRK
FK2 8UW**

**GENERAL ENQUIRIES - 01324 638407
www.celsiusbaths.com**

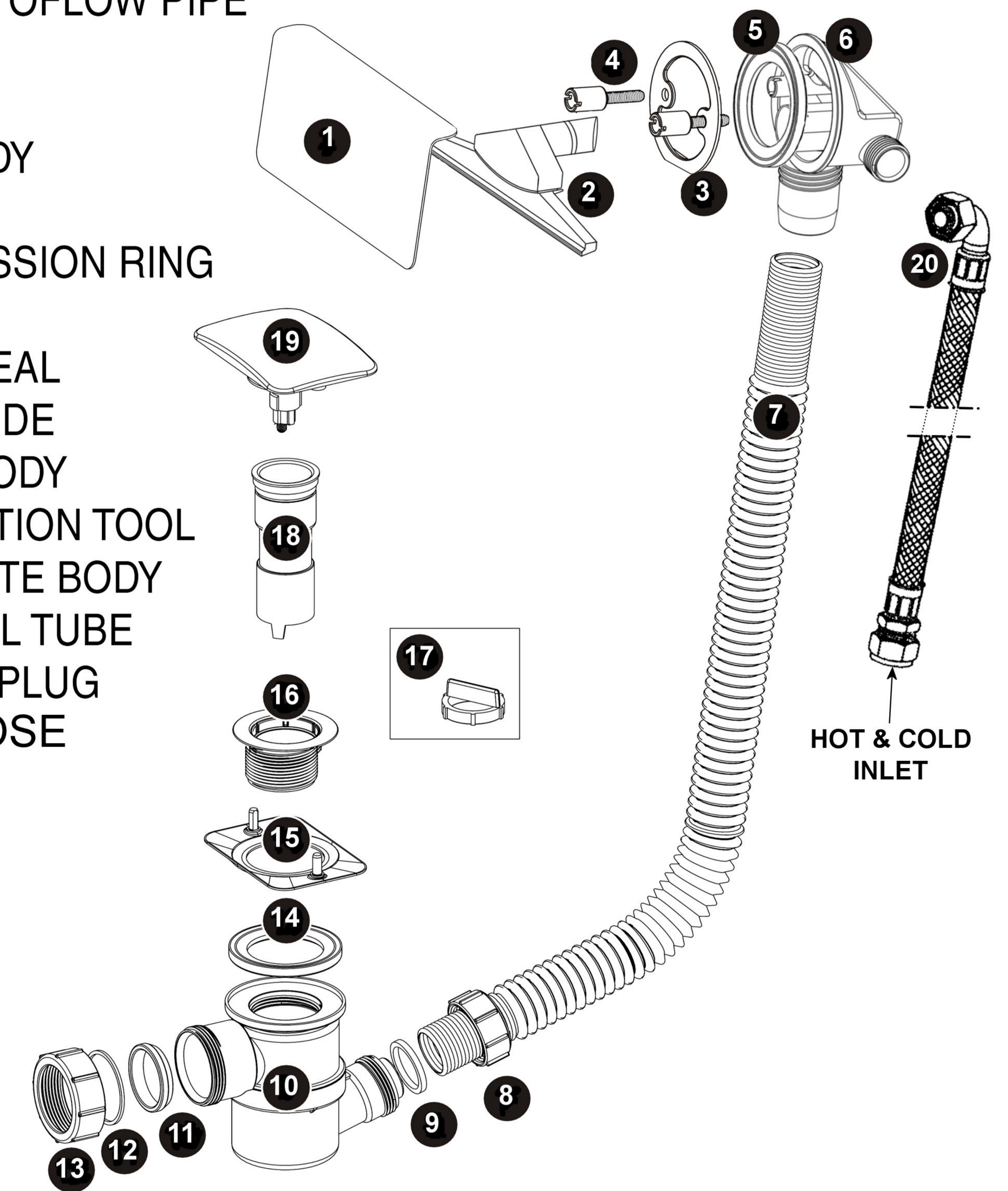
OFLOW COVER REMOVAL



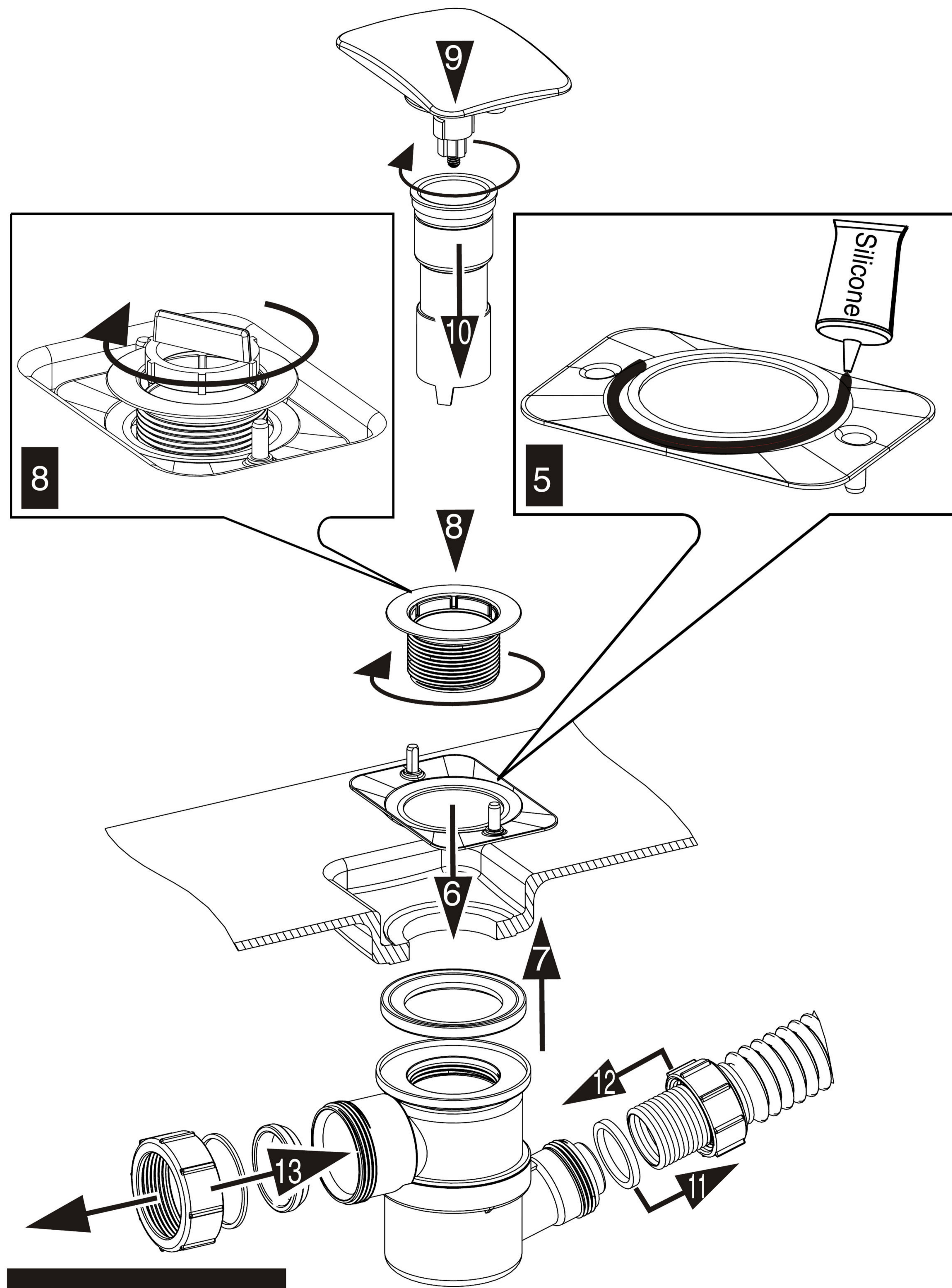
1¼ REVOLUTIONS TIGHT



1. OFLOW COVER PLATE
2. WATER OUTLET INSERT
3. OFLOW BACKPLATE
4. OFLOW BACKPLATE SCREWS X2
5. OFLOW SEAL
6. OFLOW BODY
7. FLEXIBLE OFLOW PIPE
8. NUT
9. SEAL
10. TRAP BODY
11. SEAL
12. COMPRESSION RING
13. NUT
14. WASTE SEAL
15. PLUG GUIDE
16. WASTE BODY
17. INSTALLATION TOOL FOR WASTE BODY
18. TRAP SEAL TUBE
19. CLICKER PLUG
20. FLEXI-HOSE

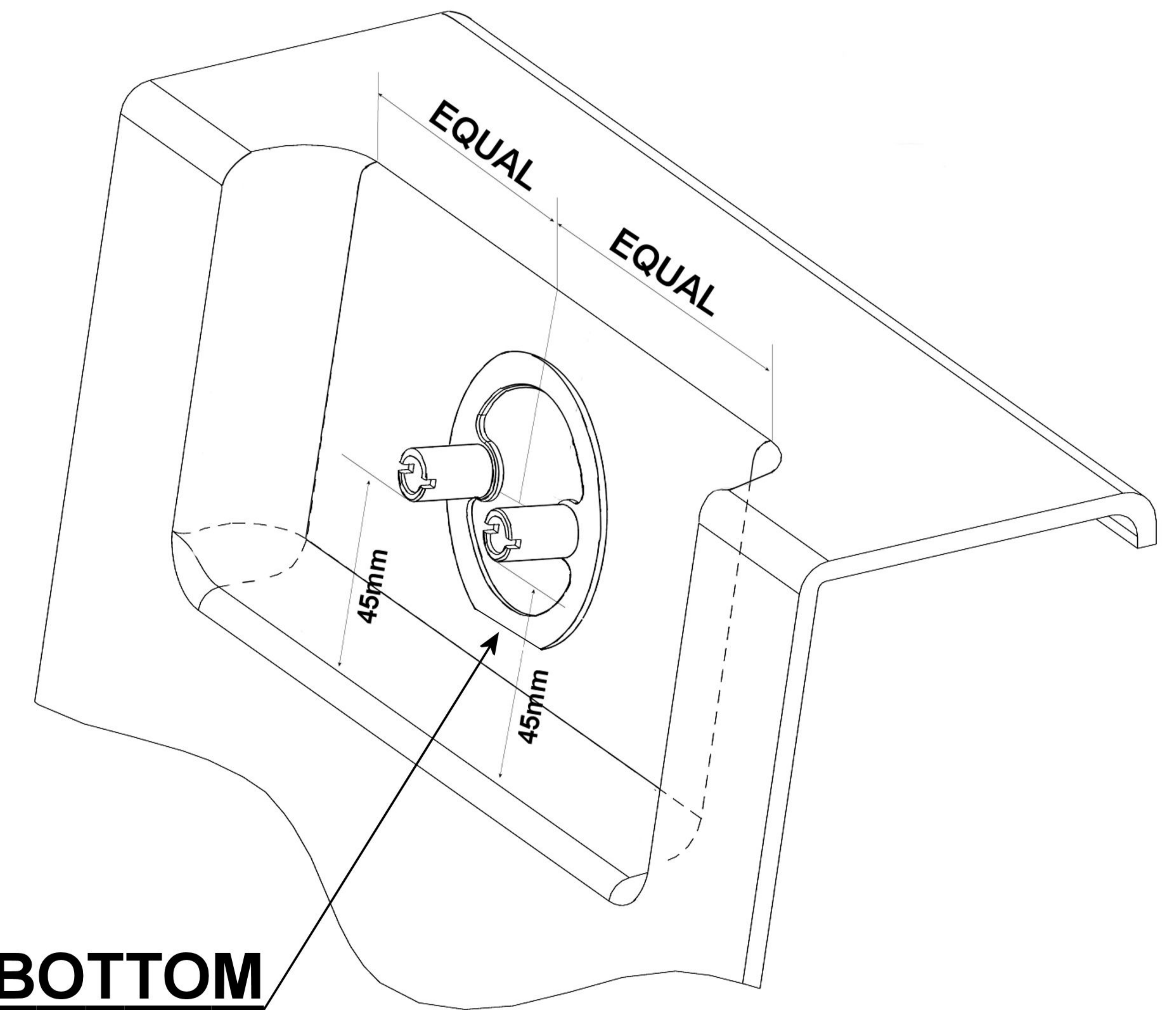


CHECK ASSEMBLY FOR LEAKS AND MALFUNCTIONS



**CONNECT TO
WASTE OUTLET**

CHECK ASSEMBLY FOR LEAKS AND MALFUNCTIONS



FLAT AT BOTTOM